

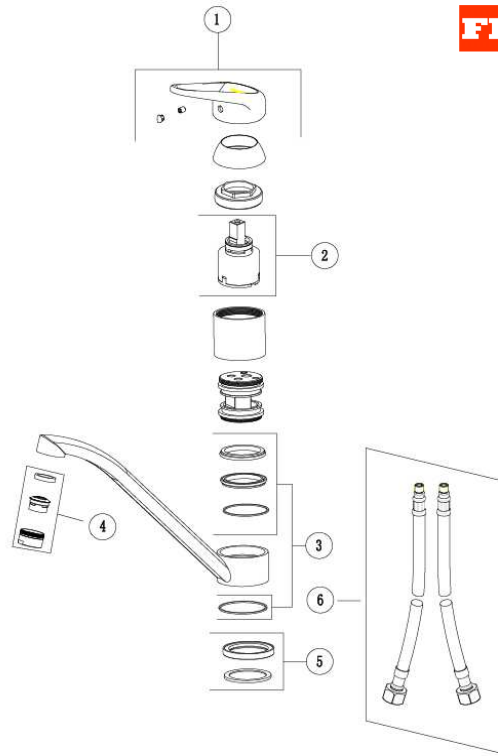
Line: NOVARA PLUS

Model: Swivel HP CH

FUN:115.0347.142

Supplier Code:70700309

FRANKE



SPARE PARTS LIST

| Code in BOM | FAS P/N | Fun No | EAN | Description | QTY |
|-------------|----------|--------------|---------------|-------------|-----|
| 1 | 27802239 | 133.0382.204 | 7612981629960 | handle | 1 |
| 2 | 27802236 | 133.0382.190 | 7612981629939 | cartridge | 1 |
| 3 | 27802680 | 133.0457.251 | 7612981807849 | gasket | 1 |
| 4 | 27802237 | 133.0382.201 | 7612981629946 | aerator | 1 |
| 5 | 27802529 | 133.0429.039 | 7612981748616 | base ring | 1 |
| 6 | 27802242 | 133.0382.207 | 7612981629991 | supply hose | 1 |