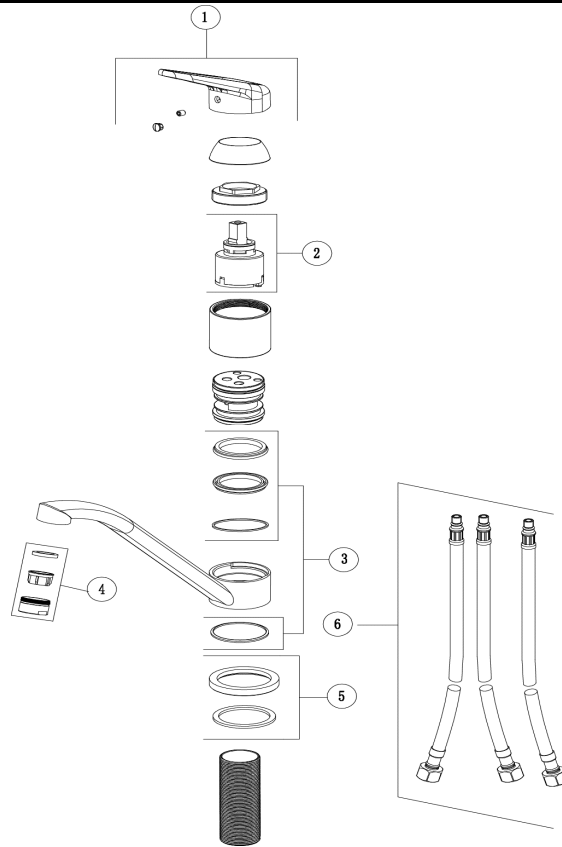


Line: NOVARA PLUS
 Model: Swivel LP CH
 FUN:115.0512.912
 Supplier Code:70700309



SPARE PARTS LIST

Code in BOM	FAS P/N	Fun No	EAN	Description	QTY
1	27802239	133.0382.204	7612981629960	handle	1
2	27802236	133.0382.190	7612981629939	cartridge	1
3	27802680	133.0457.251	7612981807849	gasket	1
4	27804153	133.0518.506	7612985432443	aerator	1
5	27802529	133.0429.039	7612981748616	base ring	1
6	27809352	133.0670.812	7612986178036	supply hose 3pcs	1