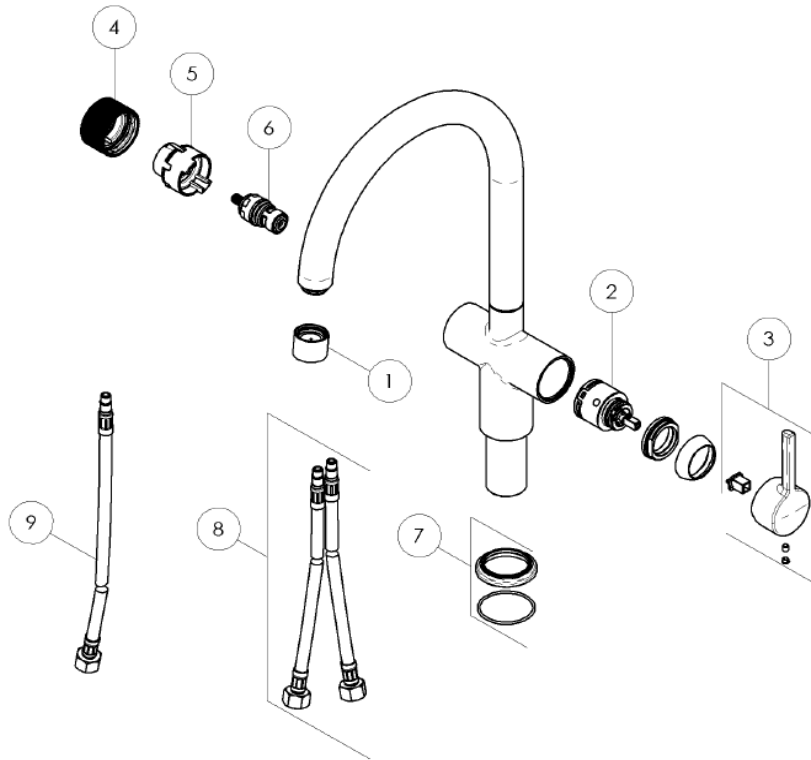


**FRANKE**



**Tap Active Boiling 3in1 Mech. J-MB**

**119.0705.686**

N.	FUN
1	133.0708.510
2	133.0173.623
3	133.0660.957
4	133.0715.017
5	133.0714.996
6	133.0714.997
7	133.0661.027
8	133.0357.290
9	133.0714.998

**Last document validation date:**

**28.02.2024**