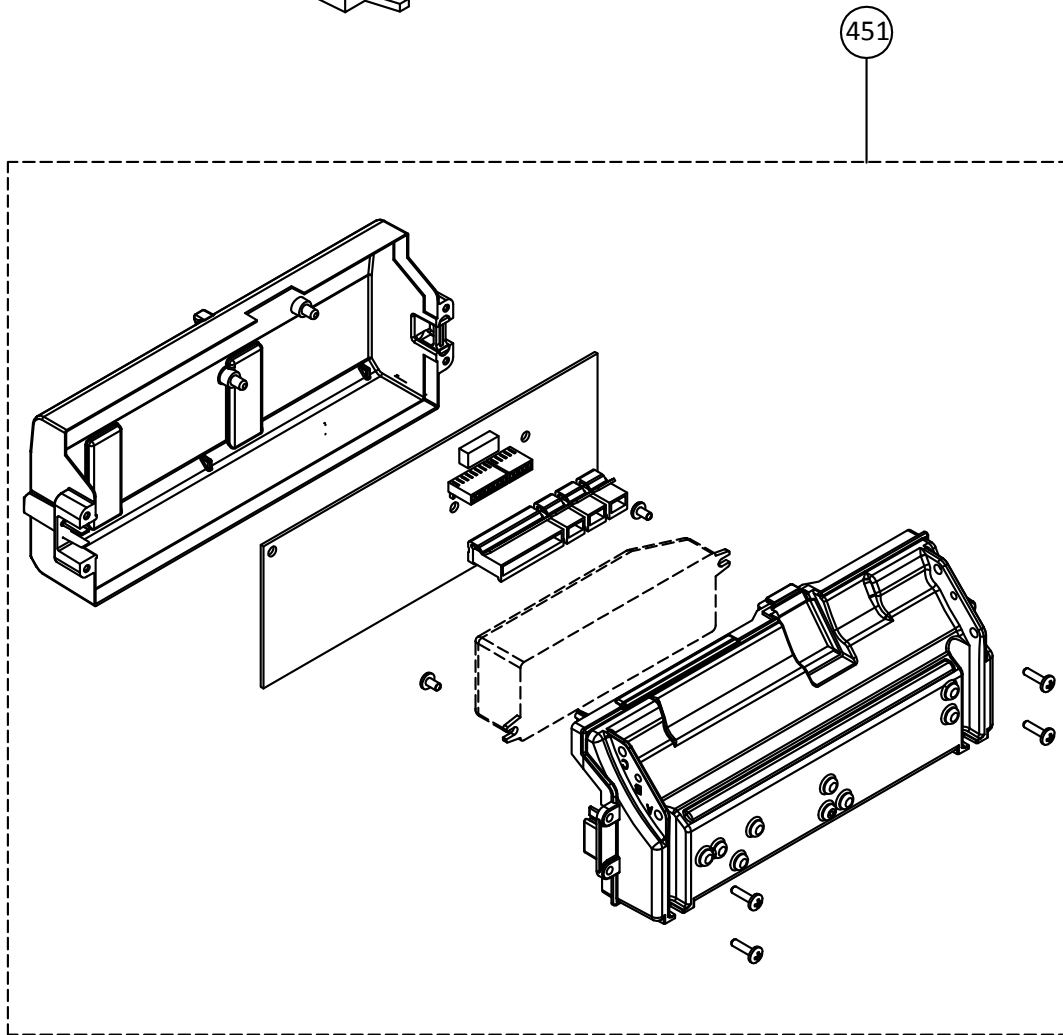
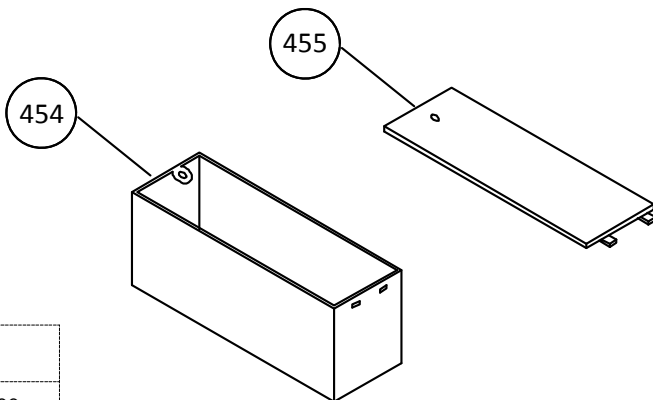


452



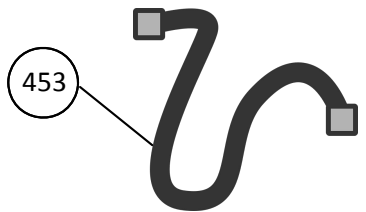
451



454

455

453



RIF	450
drawing code	3513030000900.00
date	04/01/2019
created by	D.C.