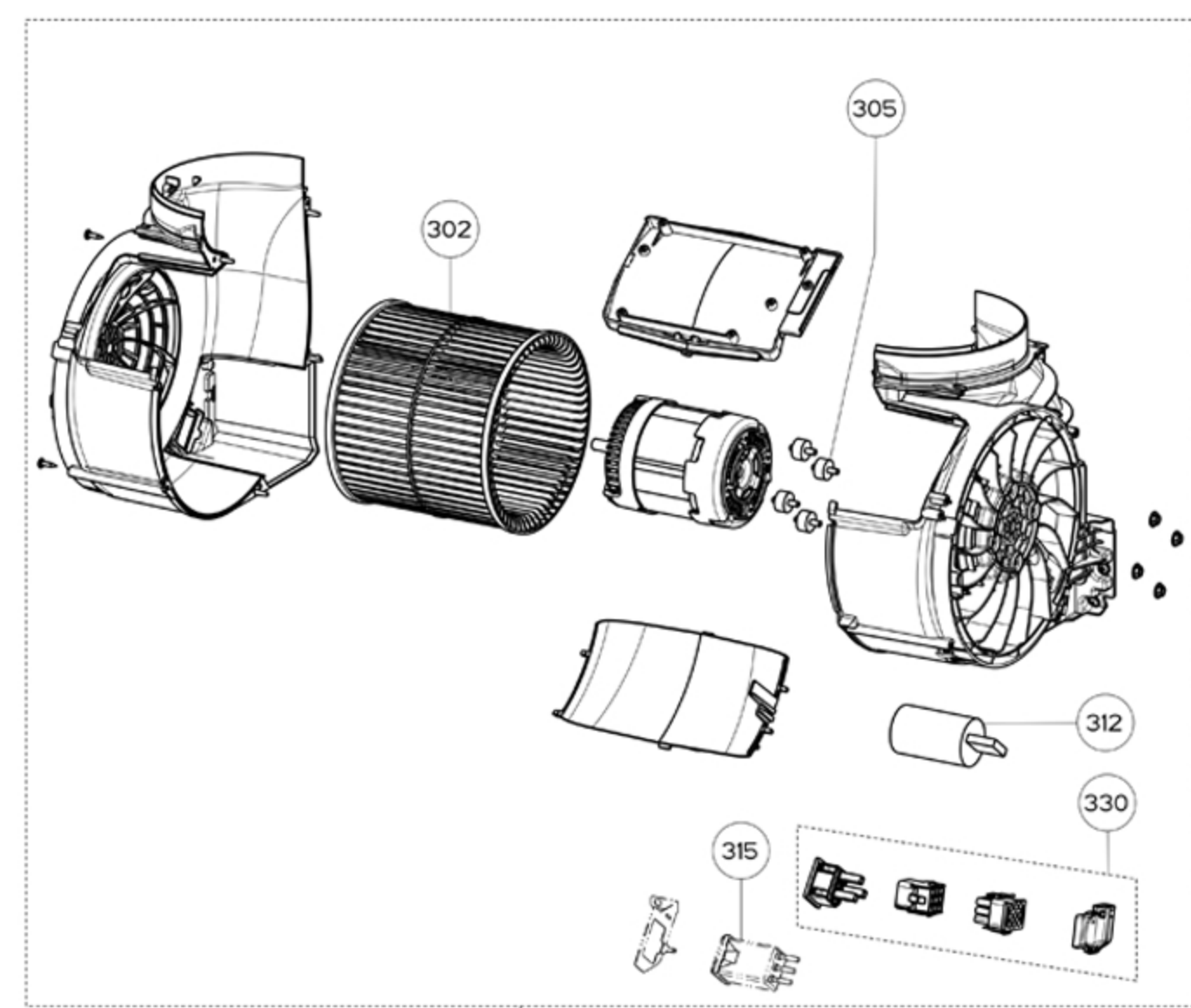


399 UP S.N. 13.02.2022



399 FROM S.N. 14.02.2022

