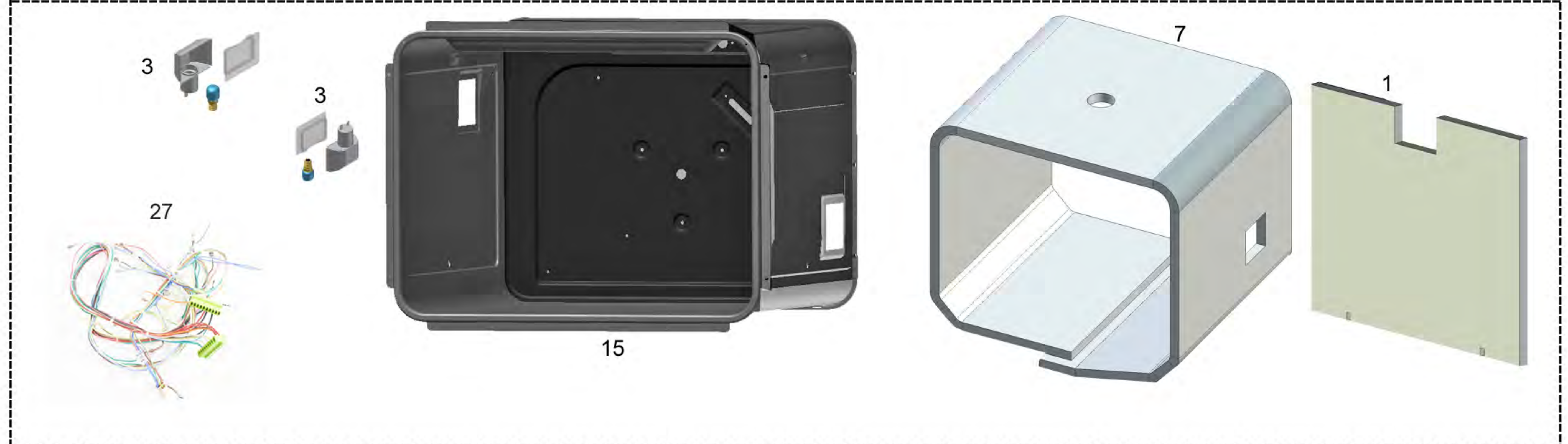


MUFFOLA DUE LAMPAD E LATERALI - CASING 2 SIDE LAMPS



MUFFOLA 1 LAMPADA POSTERIORE - CASING WITH ONE REAR LAMP

