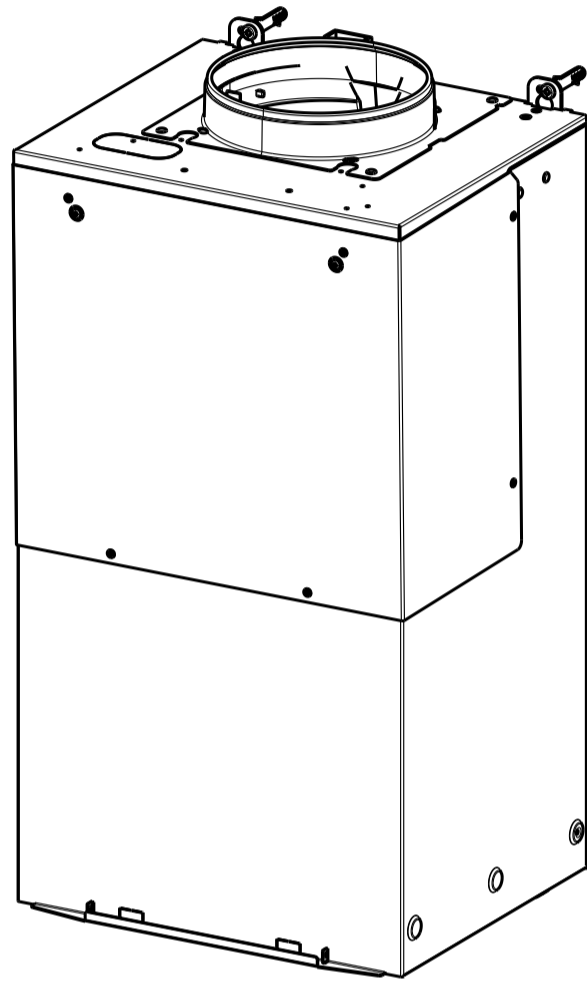
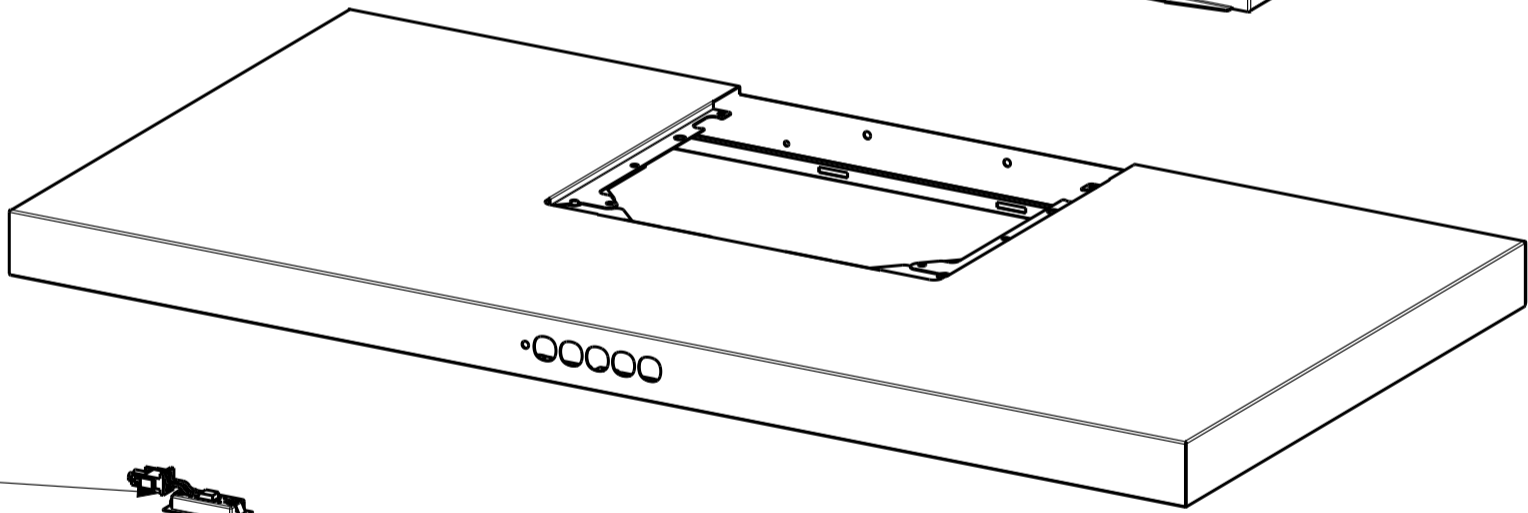


500 *



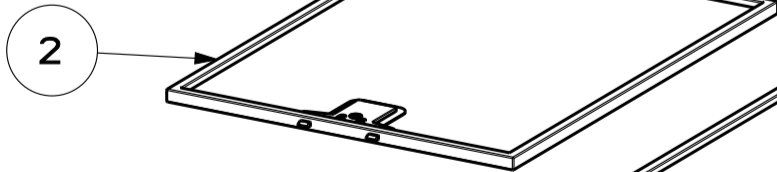
600 *



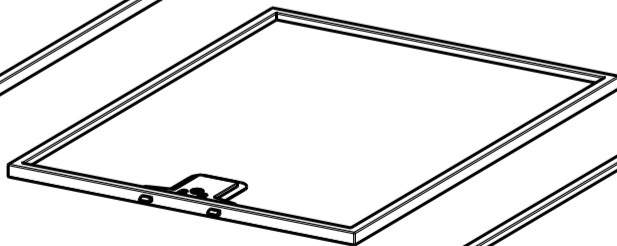
1



100 *



2



Created by Solutions	
Denomination	
EXPL DRAW T-SHAPE K44 SIL	
Rif.	
Modif.by	
Approved by Romani, Fabio	
Approval date 20-Sep-2021	
Doc. status Released	
Drawing N.	Rev
325125_729	01