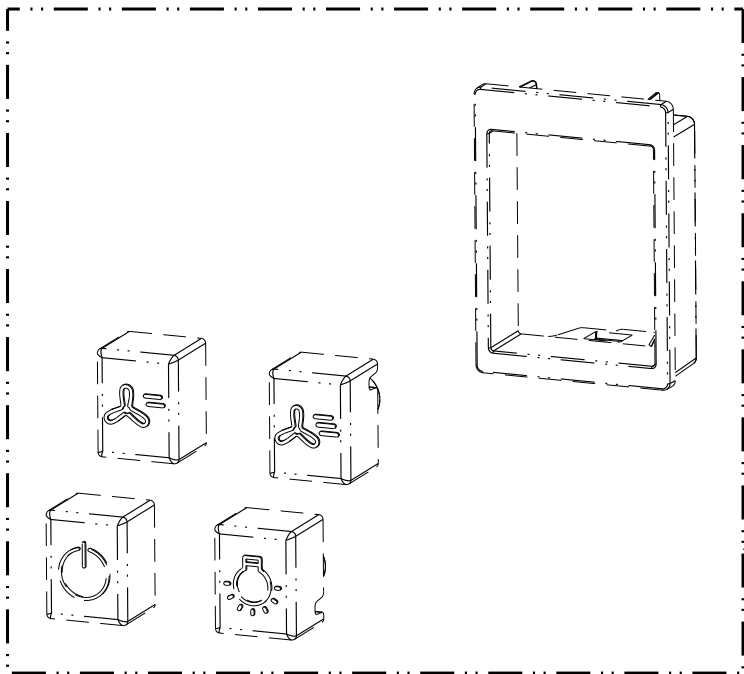
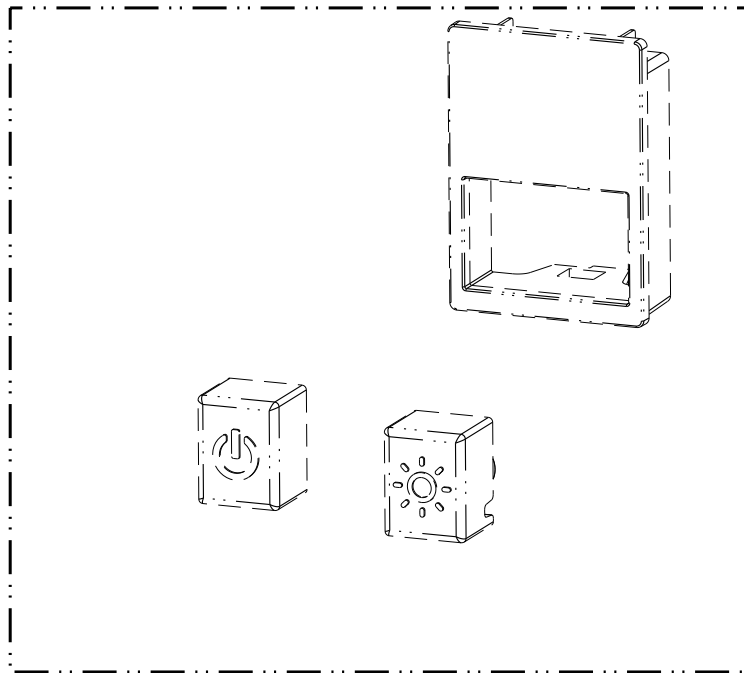


101



102



102

Created by Palazzi, Walter	
Denomination EXSPLODE PB FLEXA	
Rif. PB FLEXA	
Modif.by	
Approved by Palazzi, Walter	
Approval date 27-Mar-2019	
Doc. status Released	
Drawing N. K50_701	Rev 02