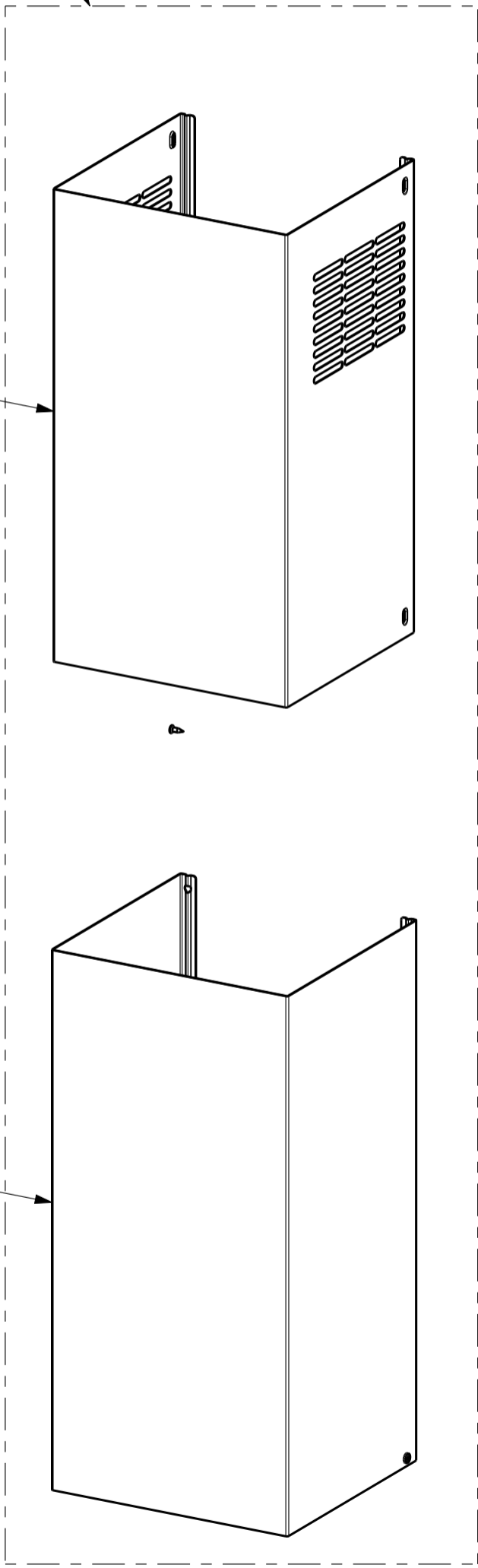


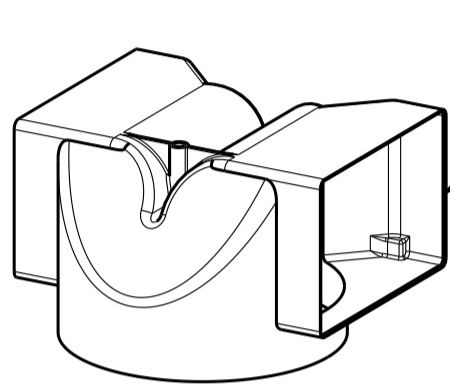
502

511



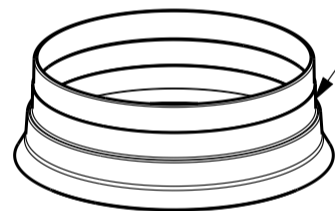
501

509

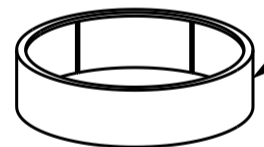


504

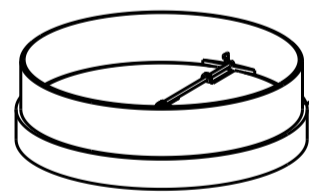
510



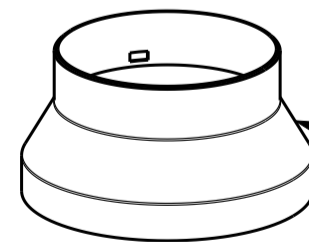
506



507



508



Created by KAD3	
Denomination CHIMNEYS EXPLODED VIEW	
Rif.	
Modif.by Solutions	
Approved by Bellucci, Daniele	
Approval date 12-Apr-2021	
Doc. status Released	
Drawing N. 47A_500	Rev 02