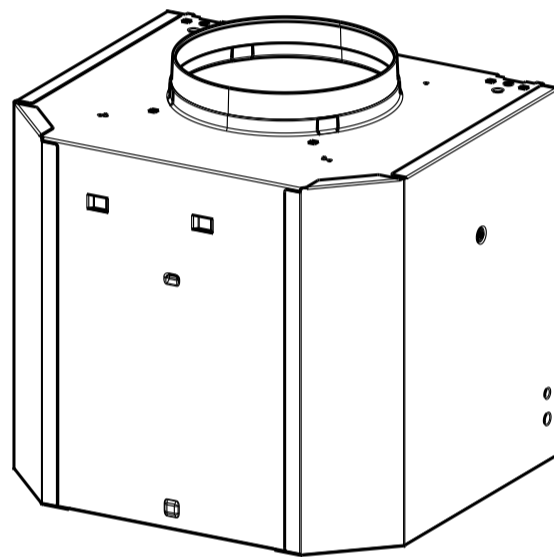
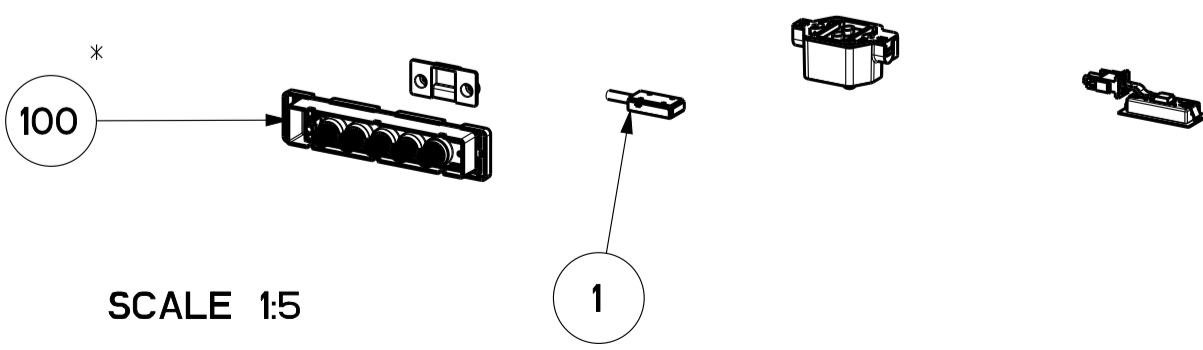
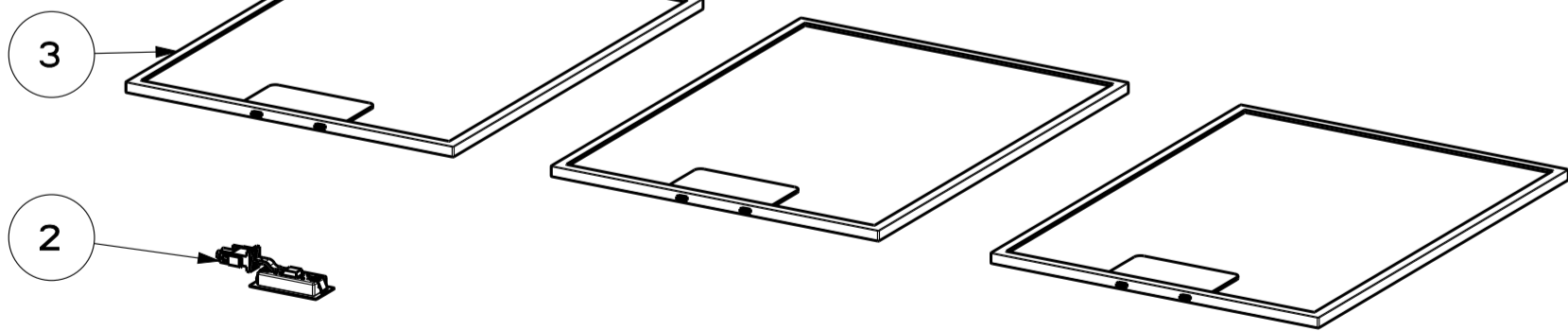
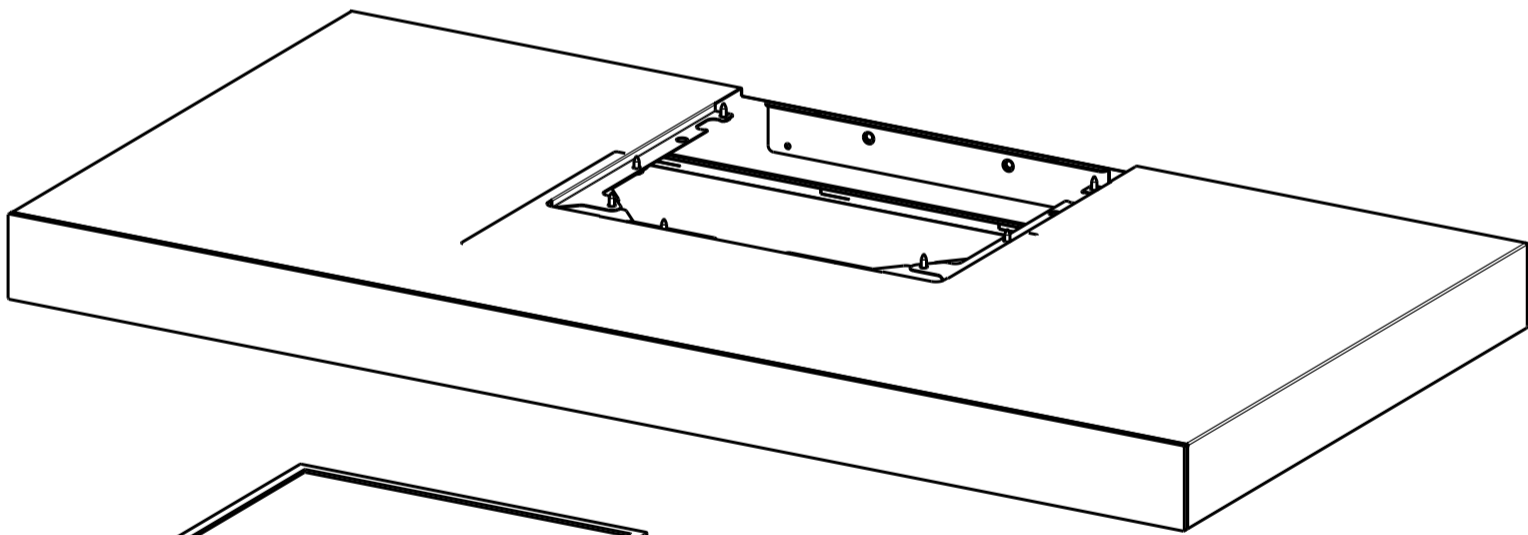


500*



600*



100*

1

SCALE 1:5

Created by Solutions	
Denomination EXP DRAW 325114 GLASS H2H S2000	
Rif.	
Modif.by	
Approved by Romani, Fabio	
Approval date 27-Apr-2021	
Doc. status Released	
Drawing N. 325114_809	Rev 01