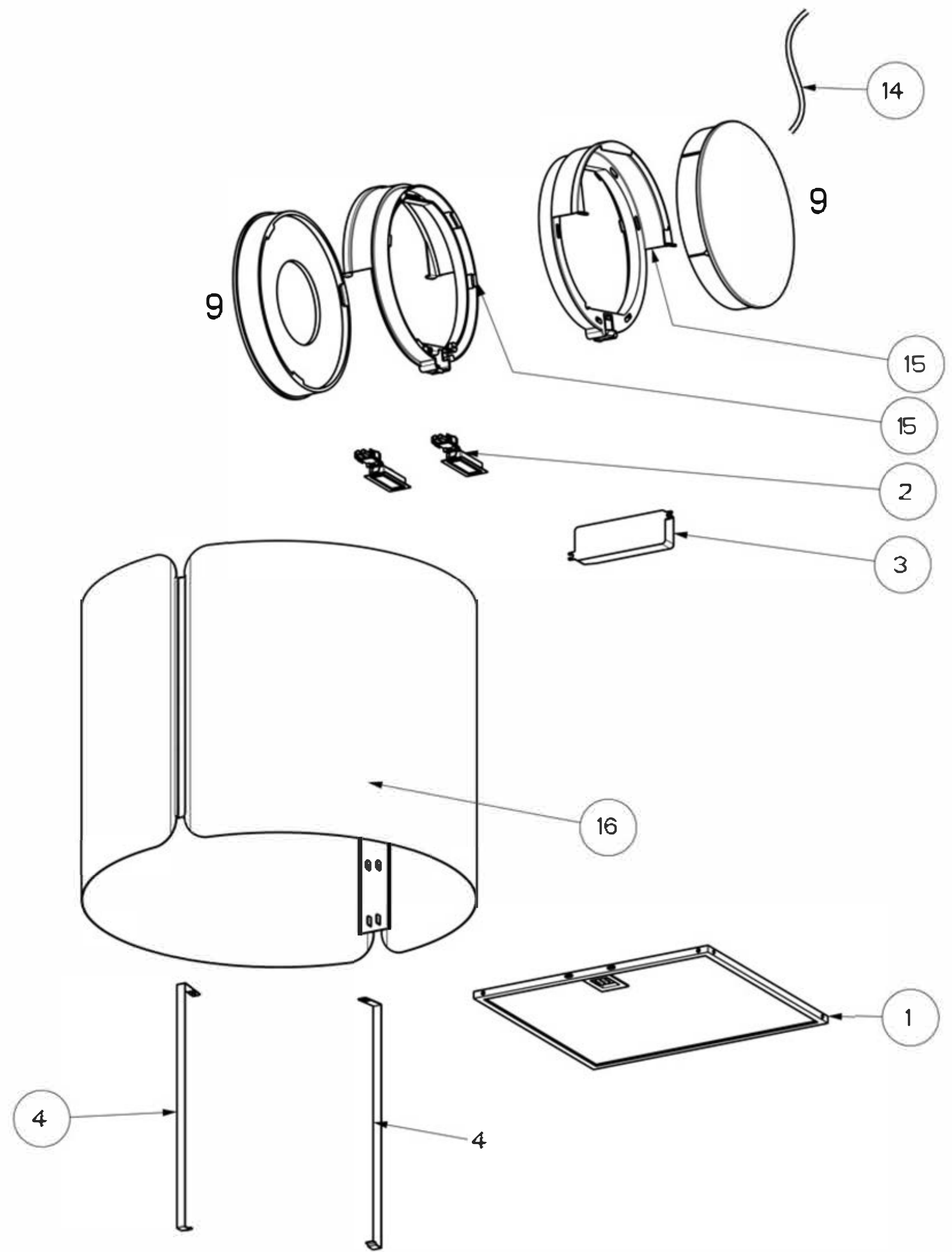


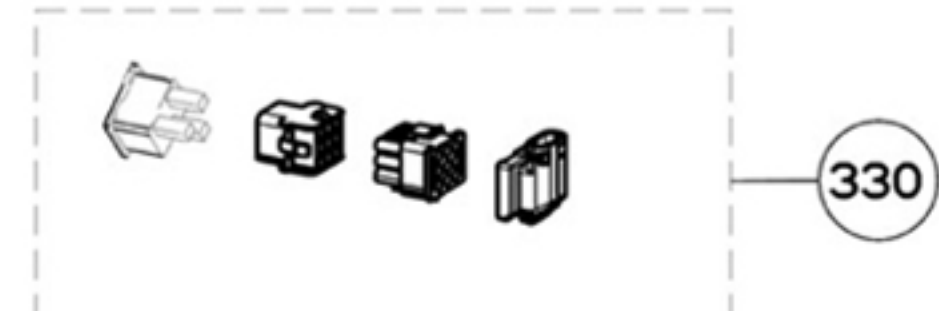
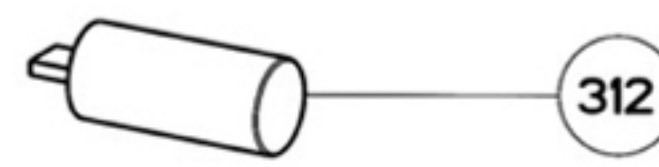
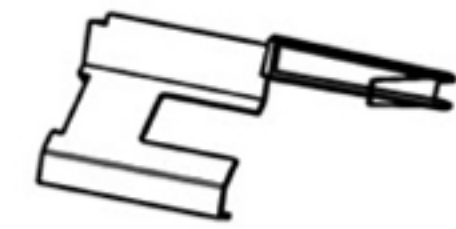
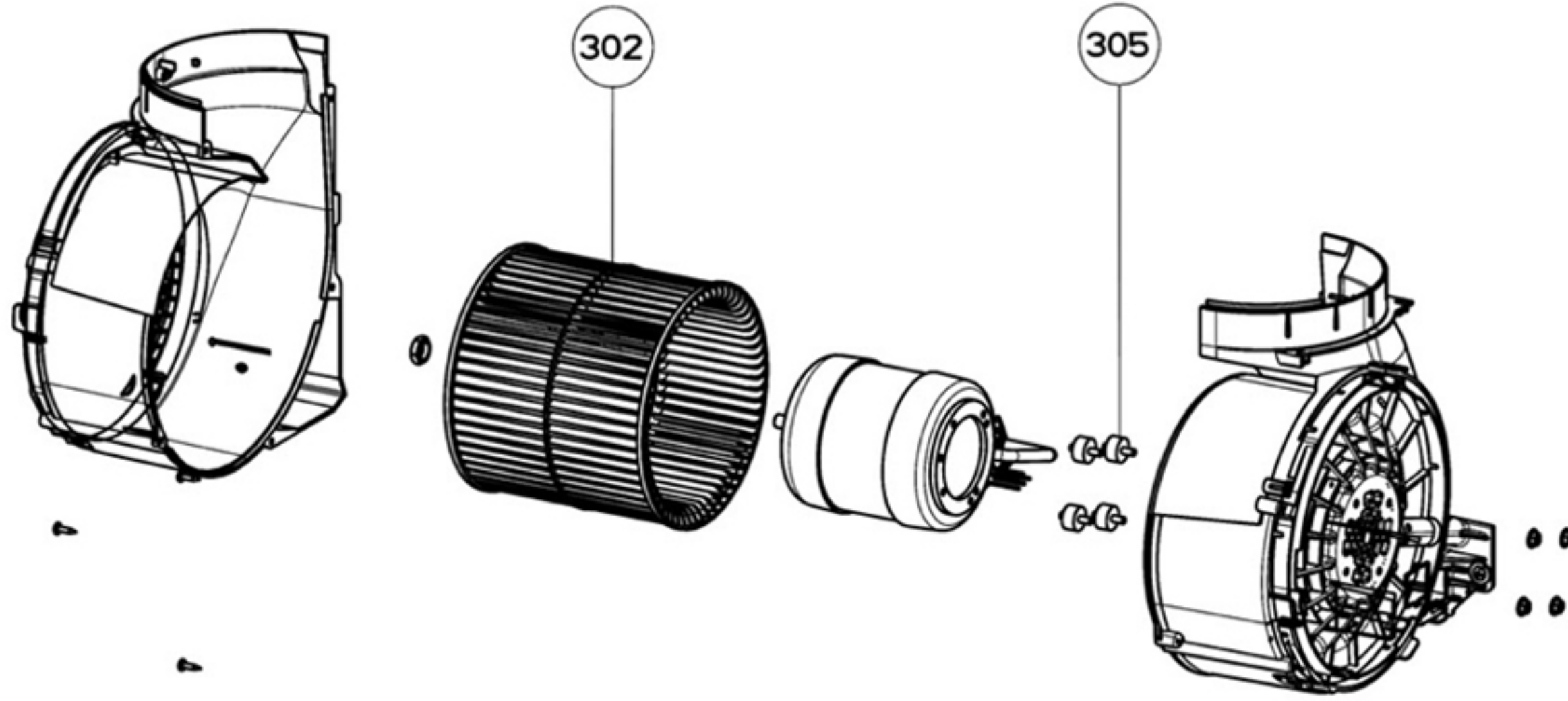
190

101

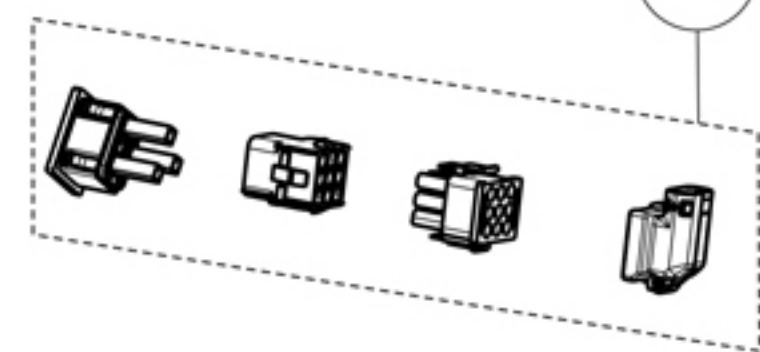
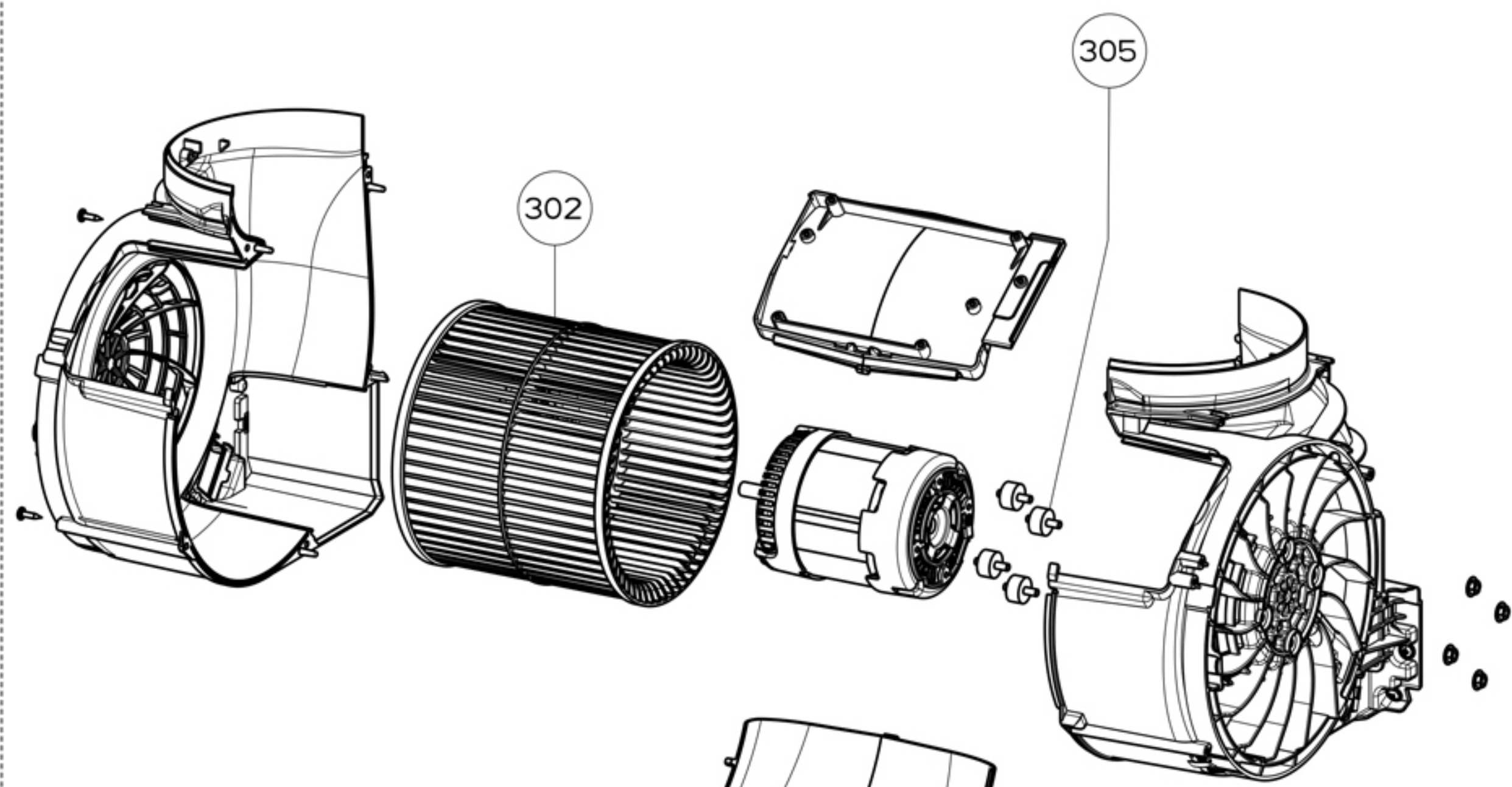


UP TO SERIAL NUMBER IH22...

FROM SERIAL NUMBER IH22....



399



399