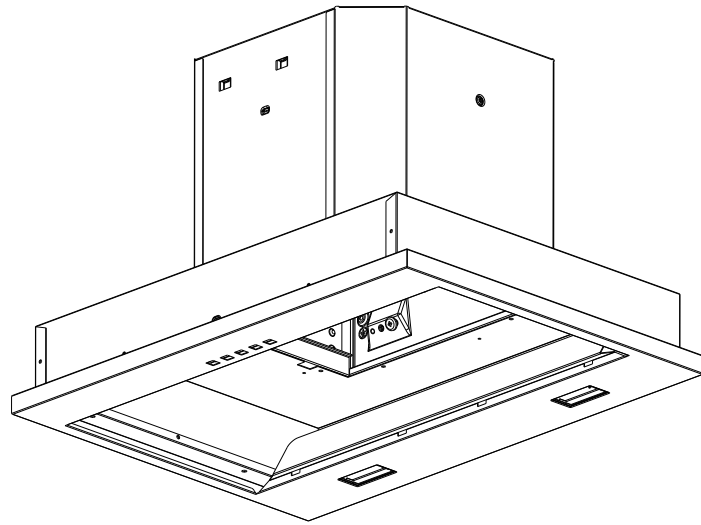
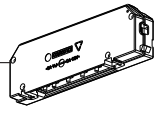


1



10



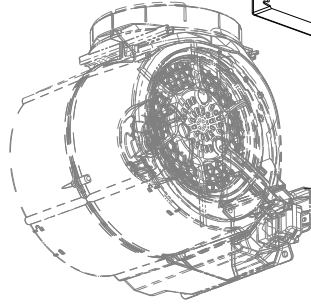
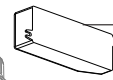
20



11



21

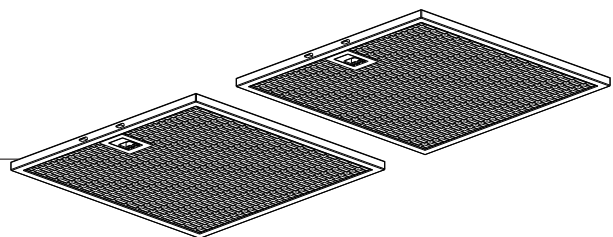


30

31

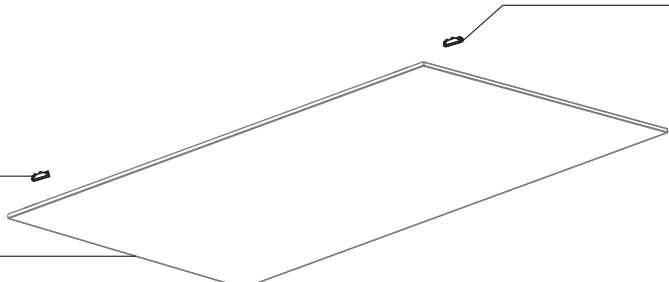


40



52

51



50

Created by : FRANKE France	
Designation Exploded drawing	
Ref:	Altima
Modif by:	FRANKE France
Approved by:	Bottin Gabriel
Approval state:	11.02.2021
Doc. Status:	released
Drawing N.	Rev.
305014_710	01