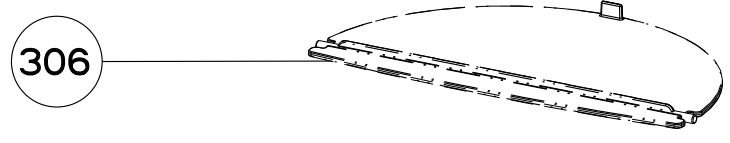
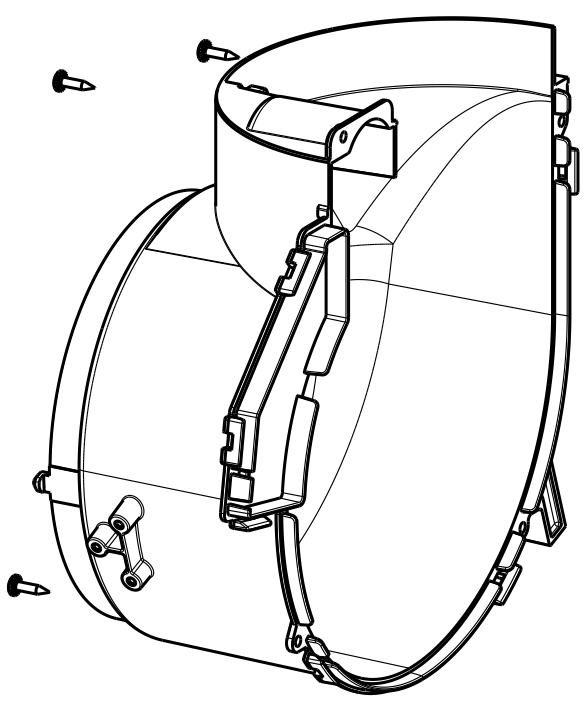
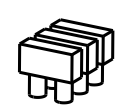
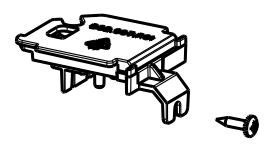
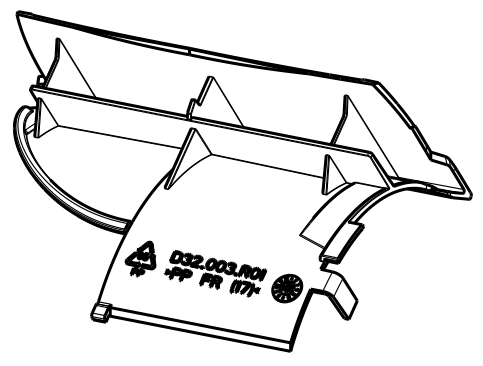


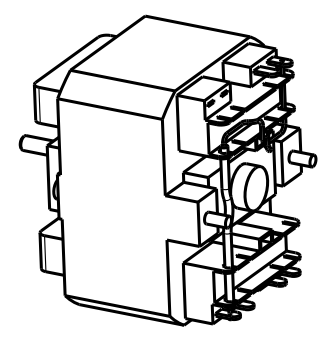
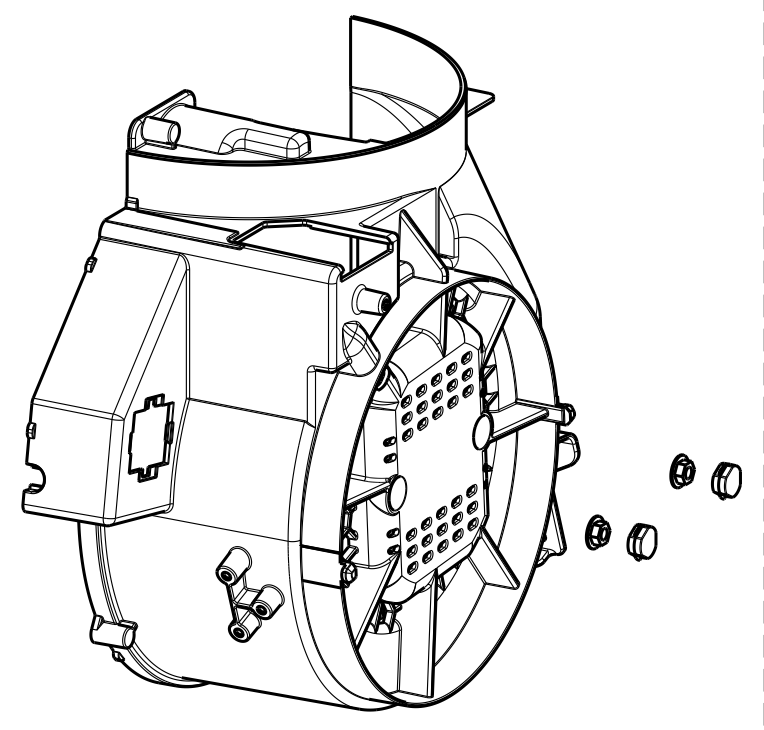
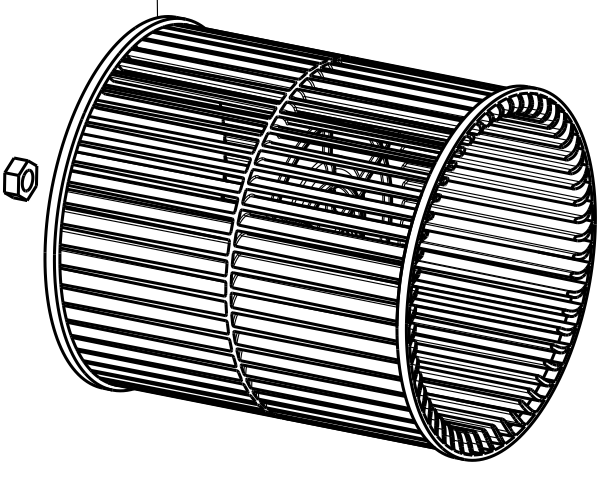
310



306



302



399

Created by <b>Galassi, Raffaele</b>	
Denomination <b>EXPLODED DRAWING M6</b>	
Rif. <b>300</b>	
Modif.by <b>Galassi, Raffaele</b>	
Approved by <b>Galassi, Raffaele</b>	
Approval date <b>18-Sep-2018</b>	
Doc. status <b>Released</b>	
Drawing N. <b>D32.723</b>	Rev <b>01</b>