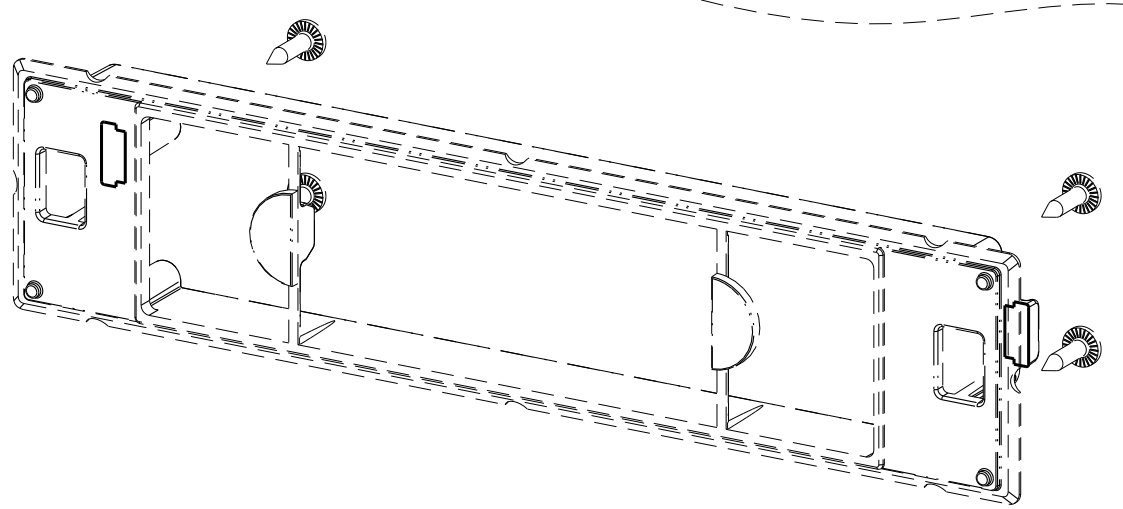
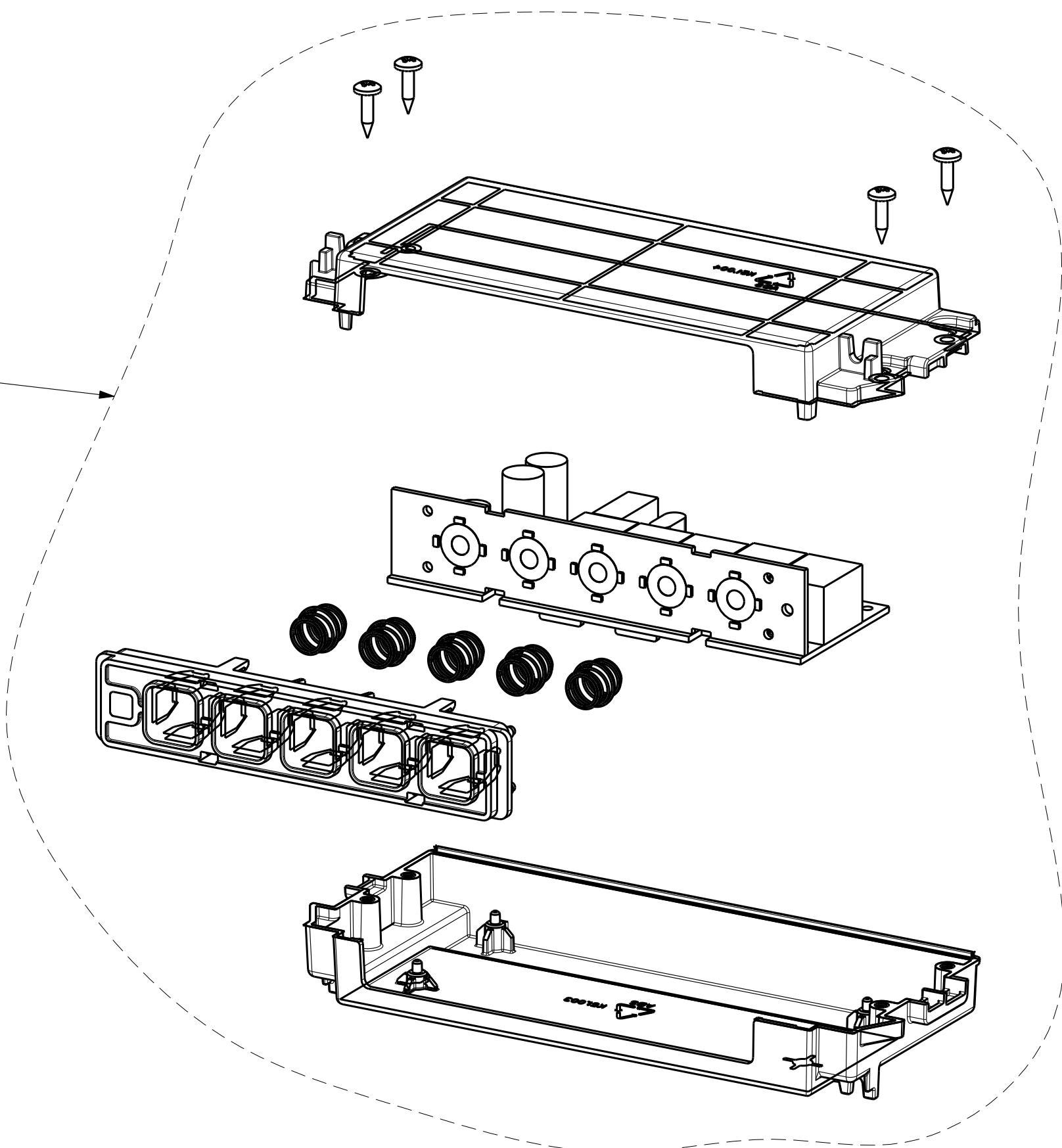


101



Created by Solutions	
Denomination EXPLODED DRAWING	
Rif.	
Modif.by Solutions	
Approved by Romani, Fabio	
Approval date 06-Feb-2018	
Doc. status Released	
Drawing N. K51_711	Rev 01