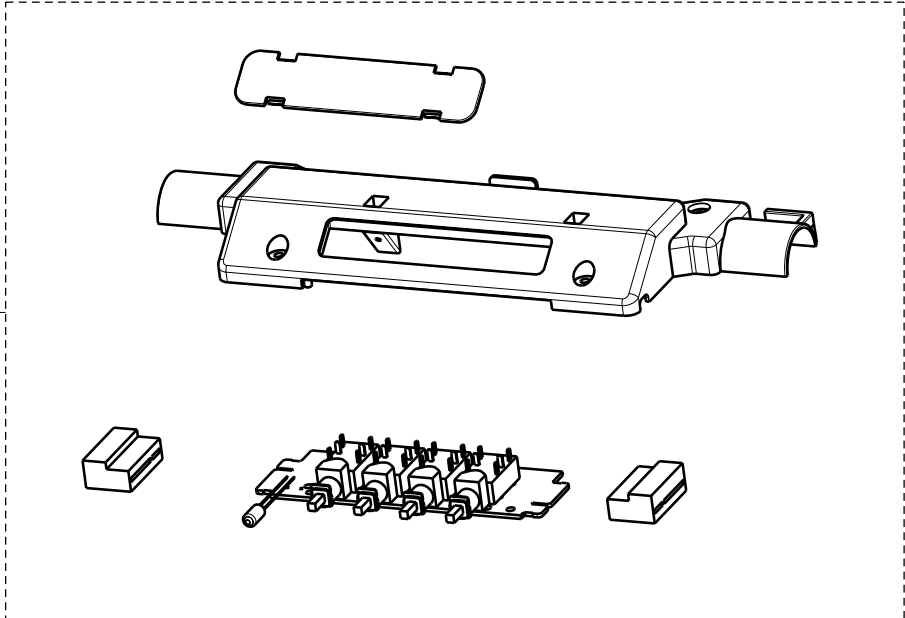
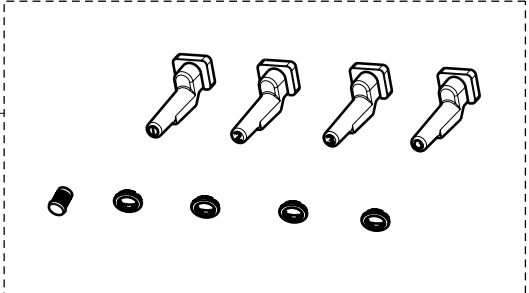


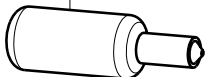
199



101



103



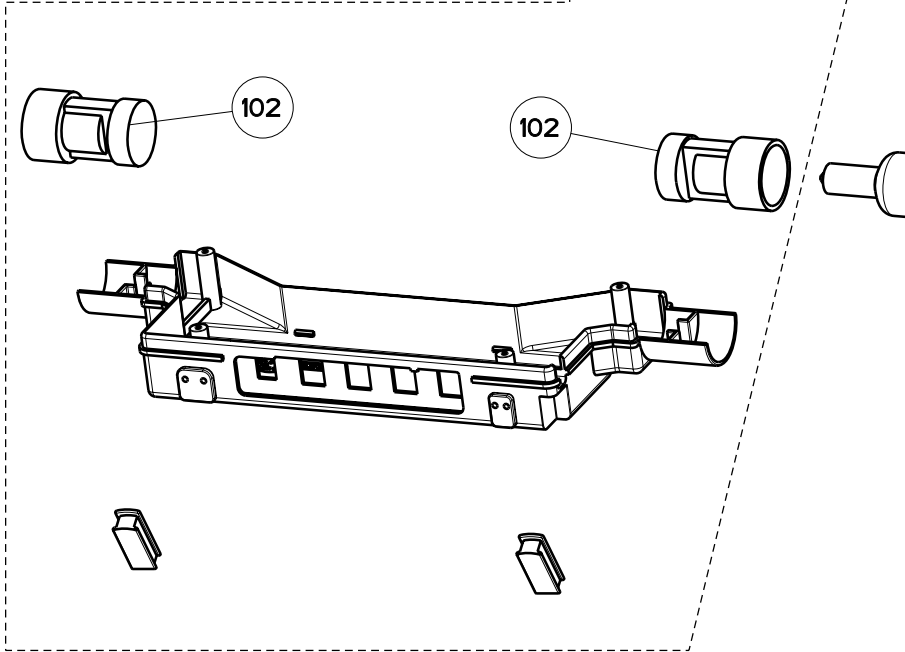
102



102



103



| |
|---------------------|
| MOD. 3V PULSANTIERA |
| RIF. 100 |
| NDIS. A27-703.1 |
| DATA 29-Jul-08 |