
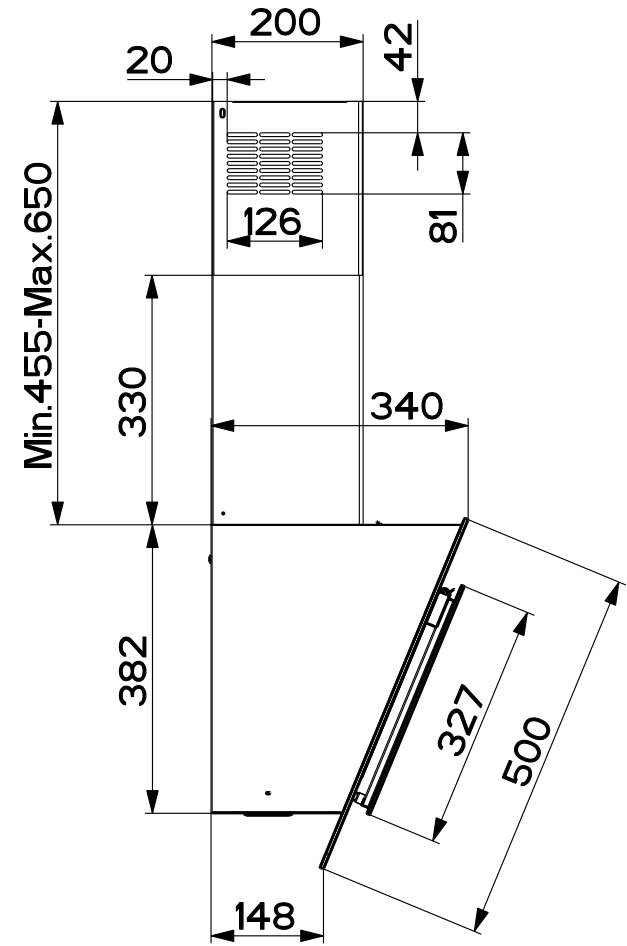
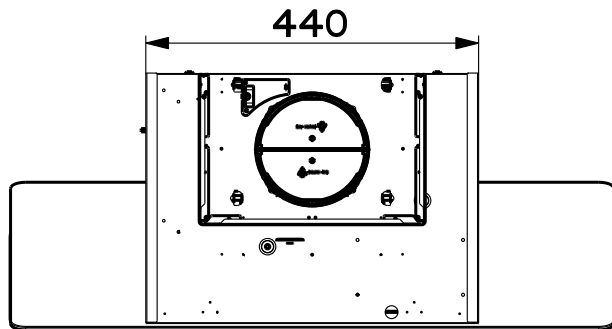
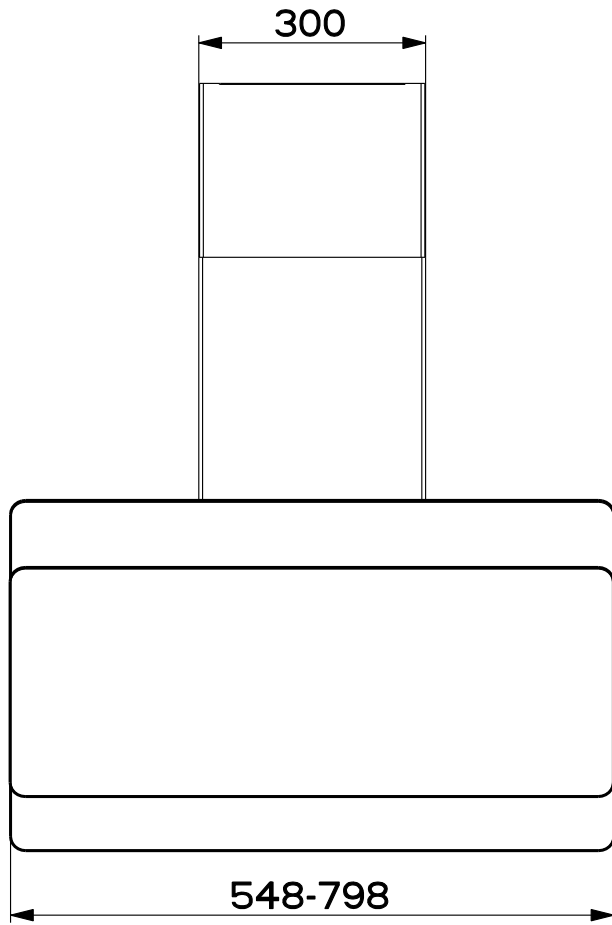


Created by Solutions	
Denomination DIMENSIONAL DRAWING COCKTAIL W.CHIMNEYS	
Lang EN 	Sheet 1/2
Modif.by Solutions	
Approved by Bellucci, Daniele	
Approval date 04-Jul-2017	
Doc. status Released	
Drawing N. 20A_817	Rev 01



Created by	
Denomination DIMENSIONAL DRAWING COCKTAIL W.CHIMNEYS	
Lang EN	Sheet 2/2
Modif.by Solutions	
Approved by Bellucci, Daniele	
Approval date 04-Jul-2017	
Doc. status Released	
Drawing N. 20A_817	Rev 01