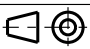
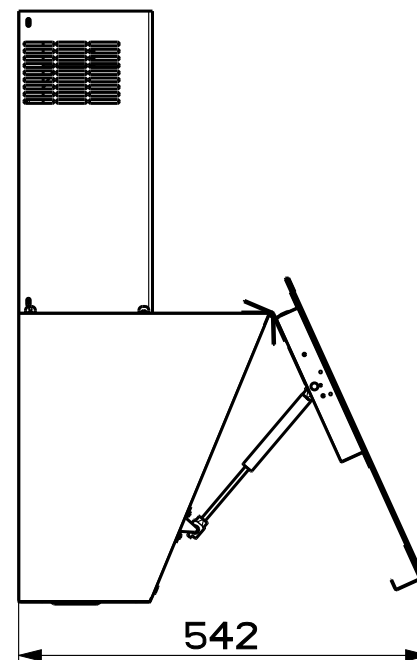
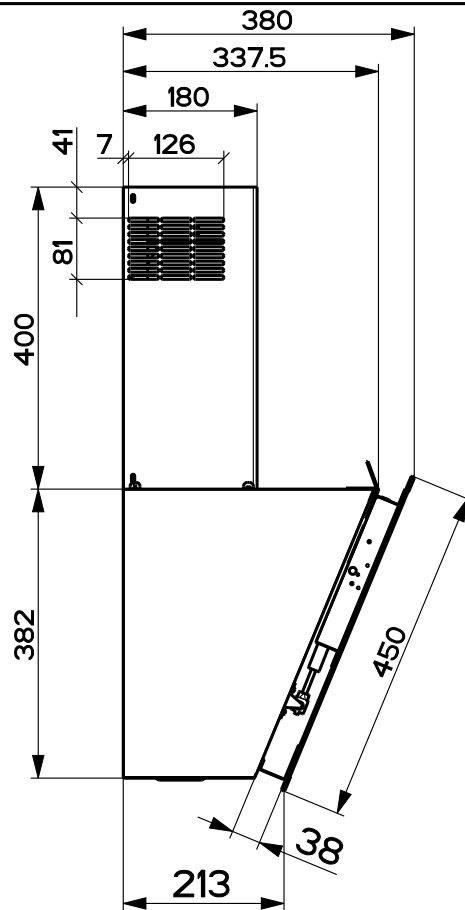
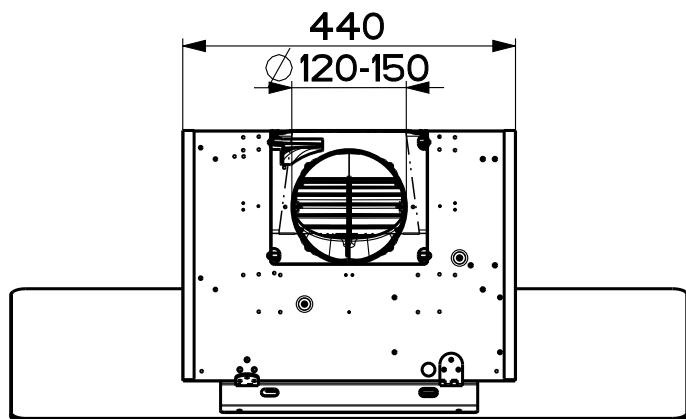
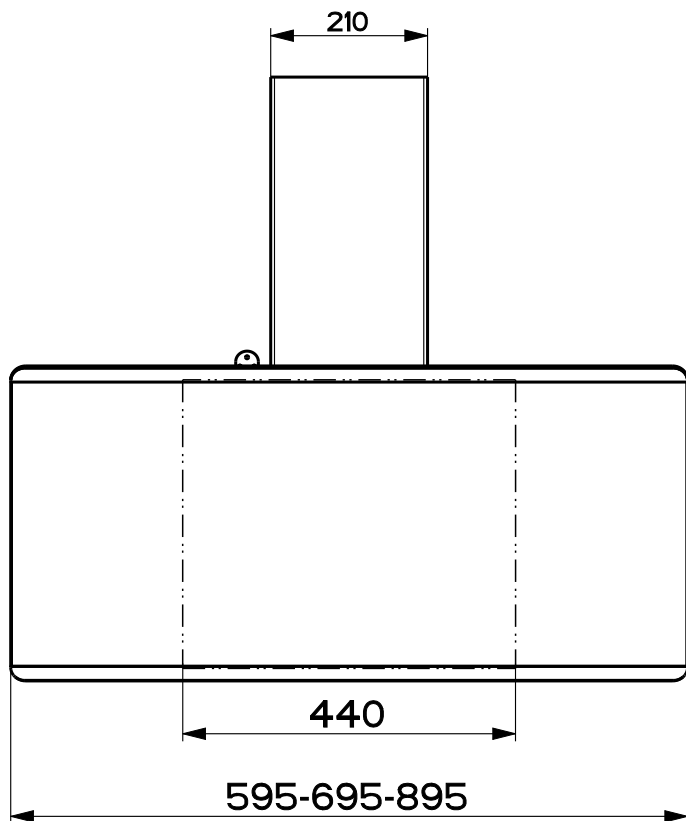
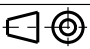


Created by KAD3	
Denomination DIMENSIONAL DRAWING CHIMNEY 210-180 F400	
Lang EN 	Sheet 1/2
Modif.by	
Approved by Romani, Fabio	
Approval date 15-Sep-2020	
Doc. status Released	
Drawing N. 47A_994	Rev 04



Created by KAD3	
Denomination DIMENSIONAL DRAWING CHIMNEY 210-180 F400	
Lang EN 	Sheet 2/2
Modif.by	
Approved by Romani, Fabio	
Approval date 15-Sep-2020	
Doc. status Released	
Drawing N. 47A_994	Rev 04