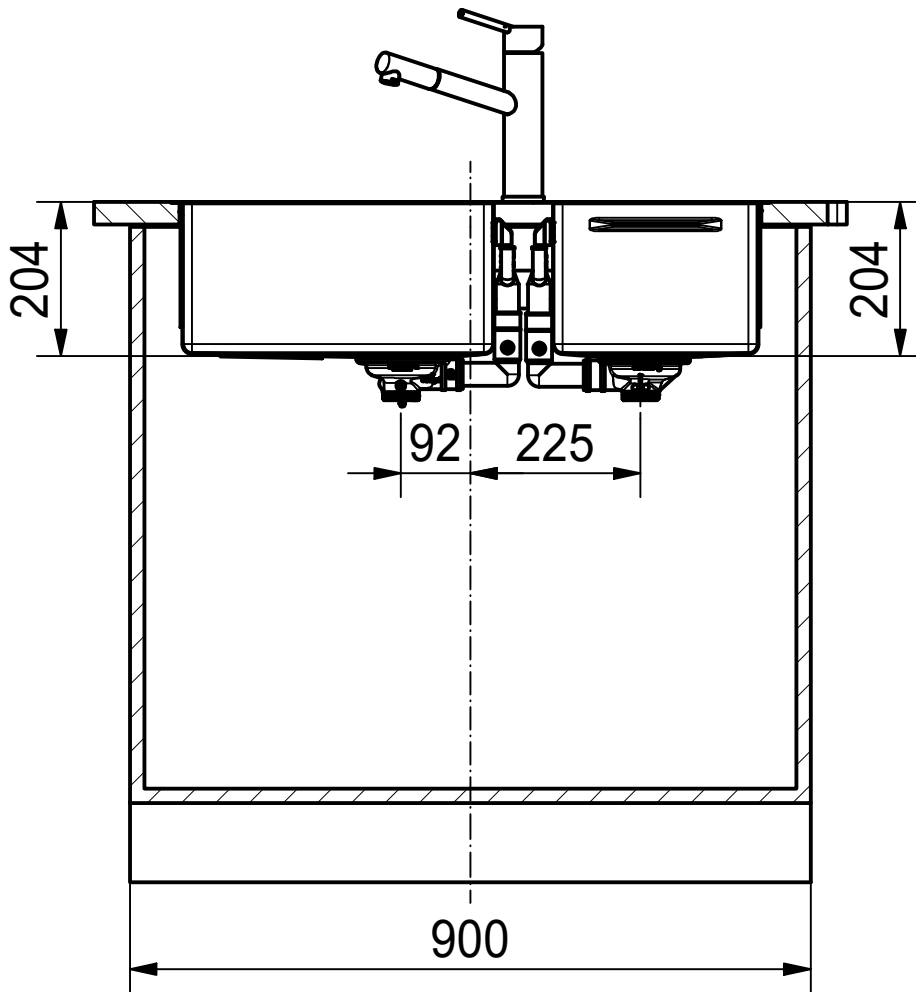


DF



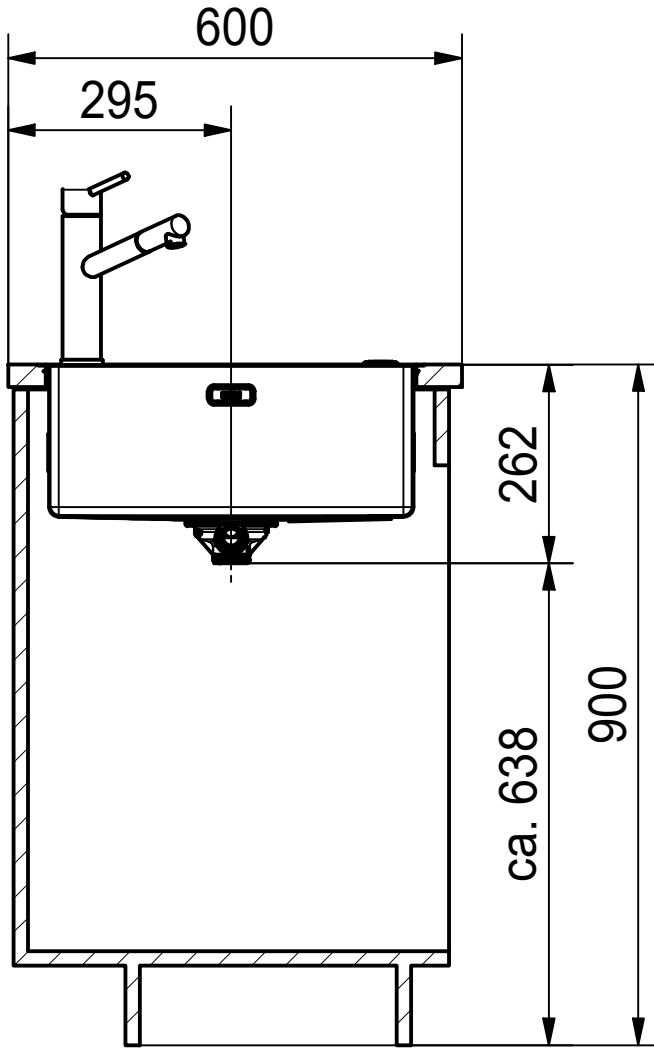
Drawing No.	20133278_01	Revision	-
Drawn Date	21.01.2019		
<small>These drawings and specifications are the property of Franke Technology and Trademark Ltd. and shall not be reproduced, copied or transferred to any third party without the prior written permission of Franke Technology and Trademark Ltd., Hergiswil, Switzerland</small>			



BWX 220-41-27 TL SI

Sheet	Sheets
1	6

DS



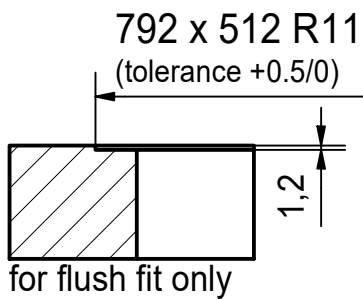
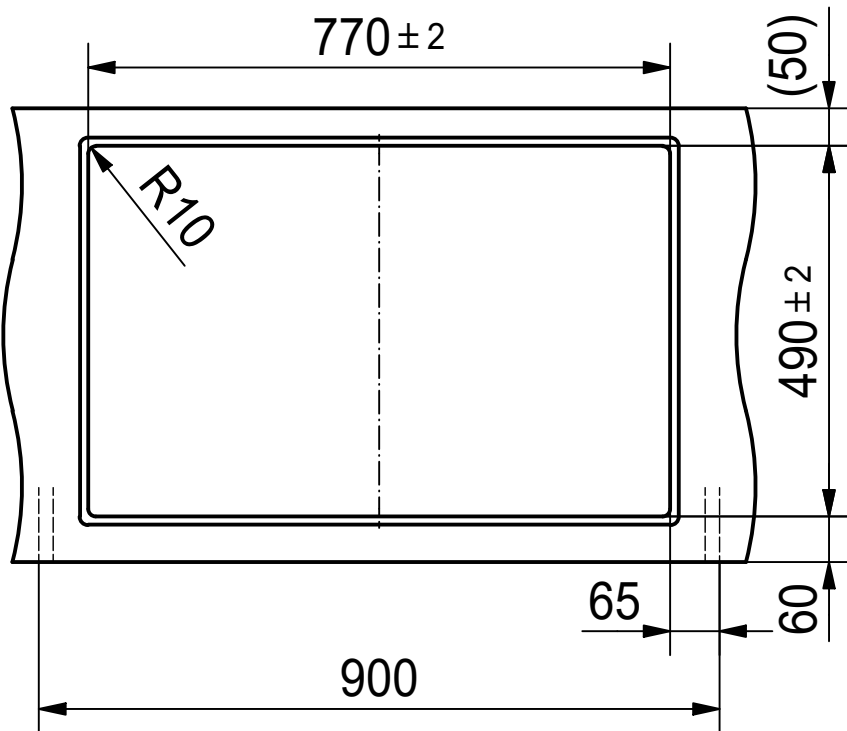
Drawing No.	20133278_01	Revision	-
Drawn Date	21.01.2019		
<small>These drawings and specifications are the property of Franke Technology and Trademark Ltd. and shall not be reproduced, copied or transferred to any third party without the prior written permission of Franke Technology and Trademark Ltd., Hergiswil, Switzerland</small>			



BWX 220-41-27 TL SI

Sheet	Sheets
2	6

CO



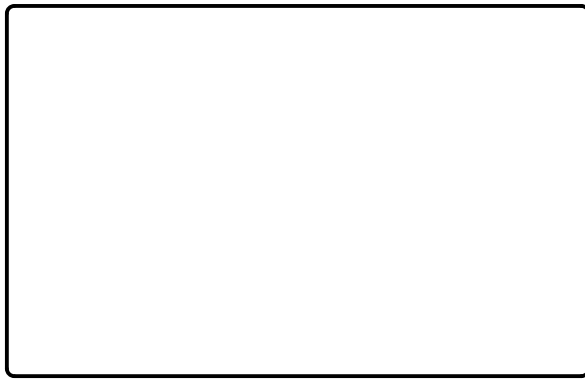
Drawing No.	20133278_01	Revision	-
Drawn Date	21.01.2019		
These drawings and specifications are the property of Franke Technology and Trademark Ltd. and shall not be reproduced, copied or transferred to any third party without the prior written permission of Franke Technology and Trademark Ltd., Hergiswil, Switzerland			



BWX 220-41-27 TL SI

Sheet	Sheets
3	6

**CNC**



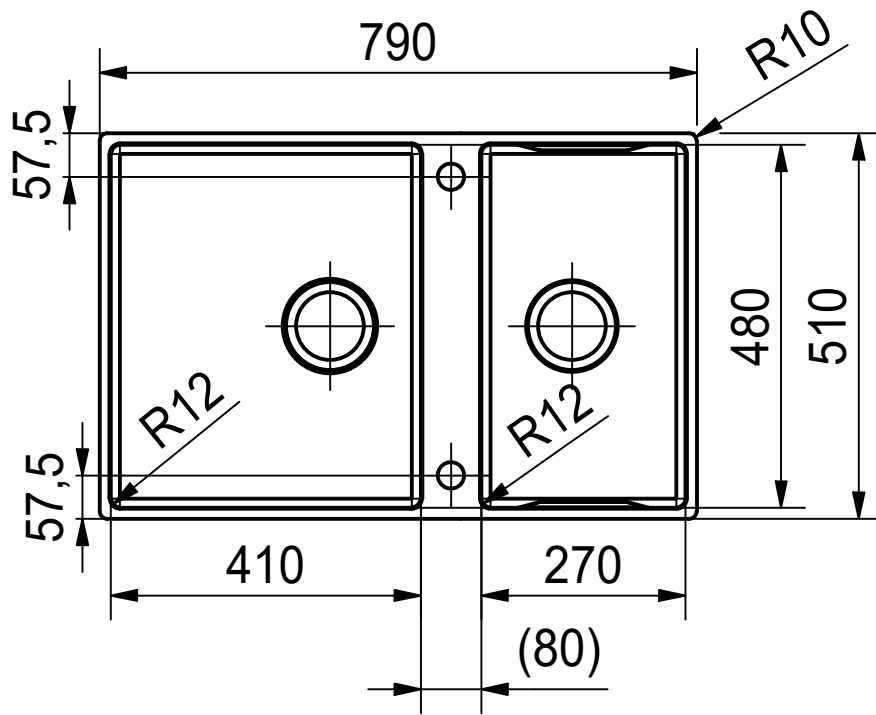
Drawing No.	20133278_01	Revision	-
Drawn Date	21.01.2019		
<small>These drawings and specifications are the property of Franke Technology and Trademark Ltd. and shall not be reproduced, copied or transferred to any third party without the prior written permission of Franke Technology and Trademark Ltd., Hergiswil, Switzerland</small>			



**BWX 220-41-27 TL SI**

Sheet	Sheets
4	6

DT



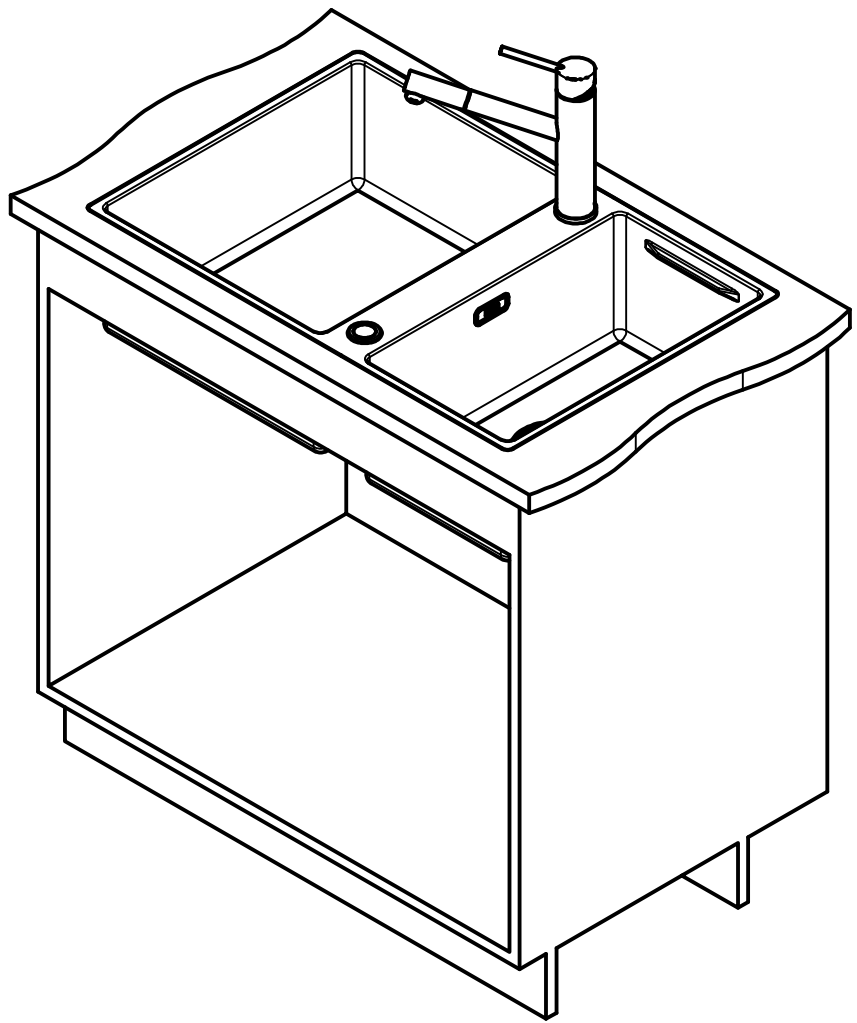
Drawing No.	20133278_01	Revision	-
Drawn Date	21.01.2019		
<small>These drawings and specifications are the property of Franke Technology and Trademark Ltd. and shall not be reproduced, copied or transferred to any third party without the prior written permission of Franke Technology and Trademark Ltd., Hergiswil, Switzerland</small>			



BWX 220-41-27 TL SI

Sheet	Sheets
5	6

ISO



Drawing No.	20133278_01	Revision	-
Drawn Date	21.01.2019		
<small>These drawings and specifications are the property of Franke Technology and Trademark Ltd. and shall not be reproduced, copied or transferred to any third party without the prior written permission of Franke Technology and Trademark Ltd., Hergiswil, Switzerland</small>			



BWX 220-41-27 TL SI

Sheet	Sheets
6	6