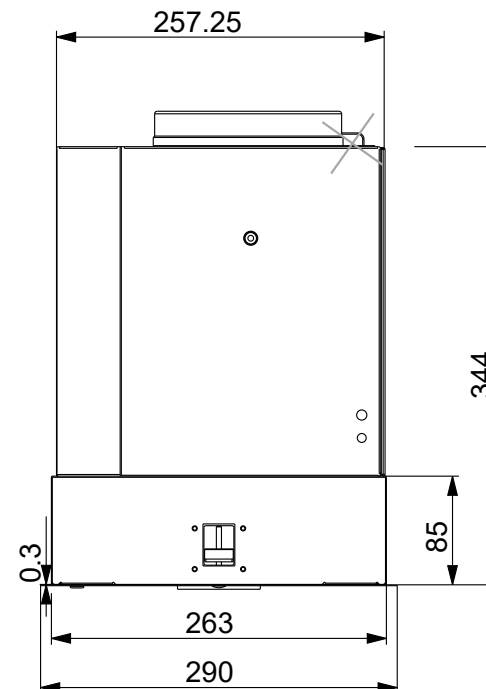
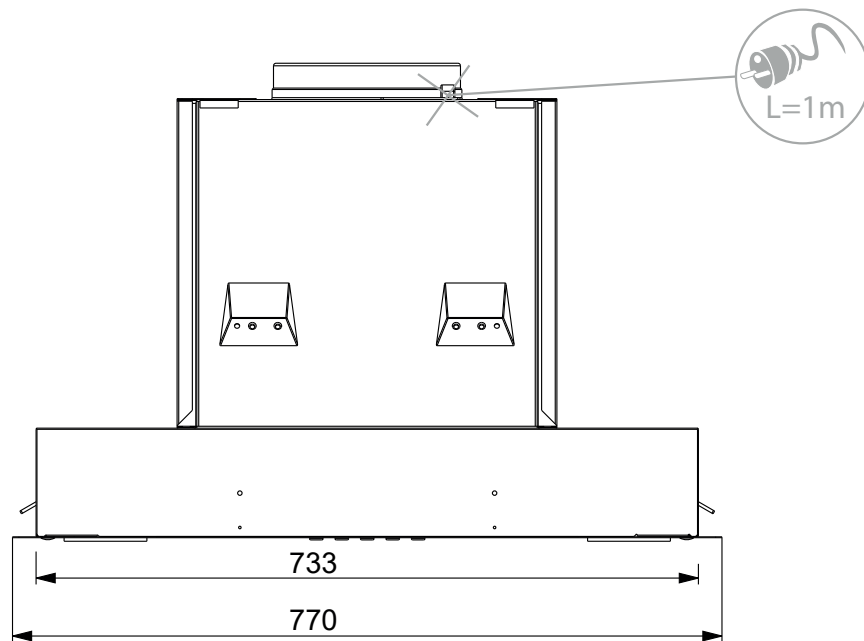


ENCASTREMENT 740*270
(MONTAGE PAR CLIPAGE DU PLANCHER DU MEUBLE)



Created by : FRANKE France	
Designation Dimensional drawings	
Ref:	Symphonie 28
Modif by:	FRANKE France
Approved by:	Bottin Gabriel
Approval state:	24.02.2021
Doc. Status:	released
Drawing.N. 305038_715	Rev. 01