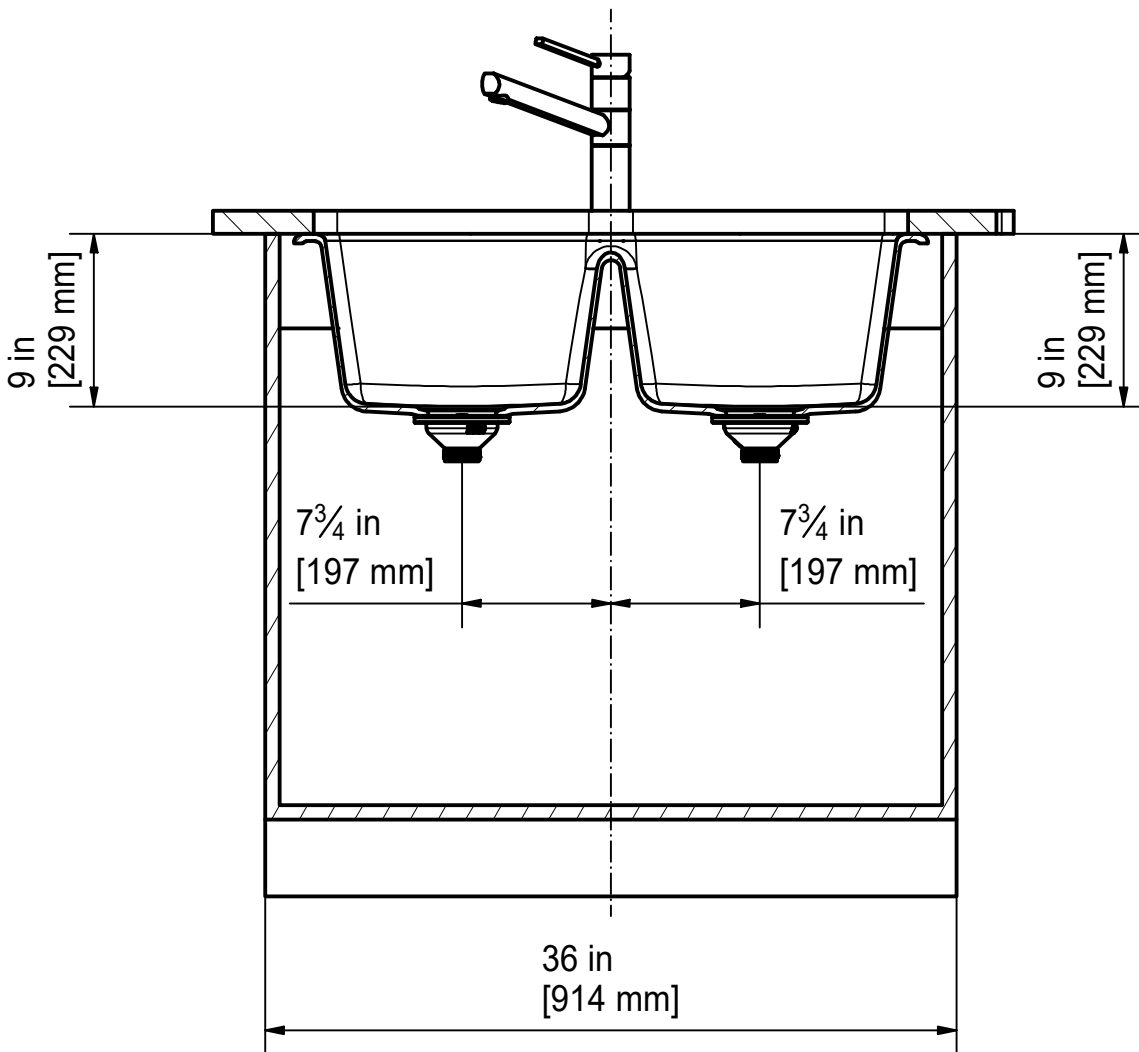


DF



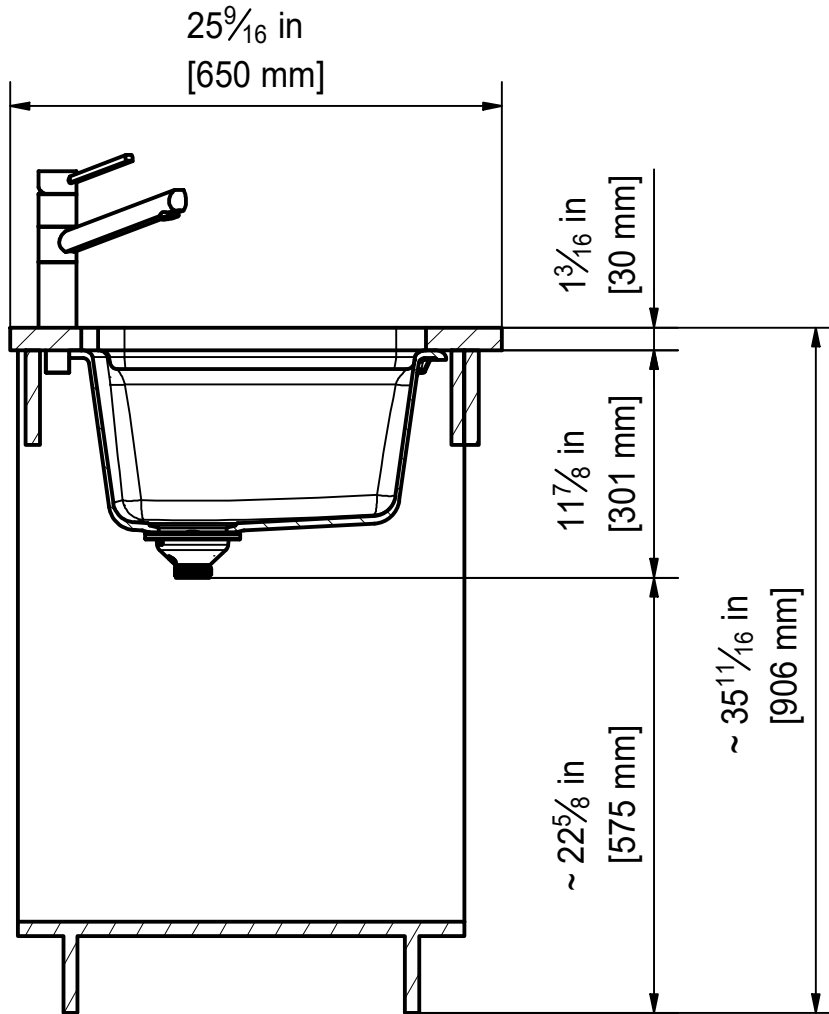
Drawing No.	20241678_01	Revision	-
Drawn Date	24.08.2022		
<small>These drawings and specifications are the property of Franke Technology and Trademark Ltd. and shall not be reproduced, copied or transferred to any third party without the prior written permission of Franke Technology and Trademark Ltd., Hergiswil, Switzerland</small>			

Franke Küchentechnik AG
CH-4663 Aarburg
Phone: +41 62 787 31 31
Internet: www.franke.com

ELG 120-36-36

Sheet	Sheets
1	7

DS



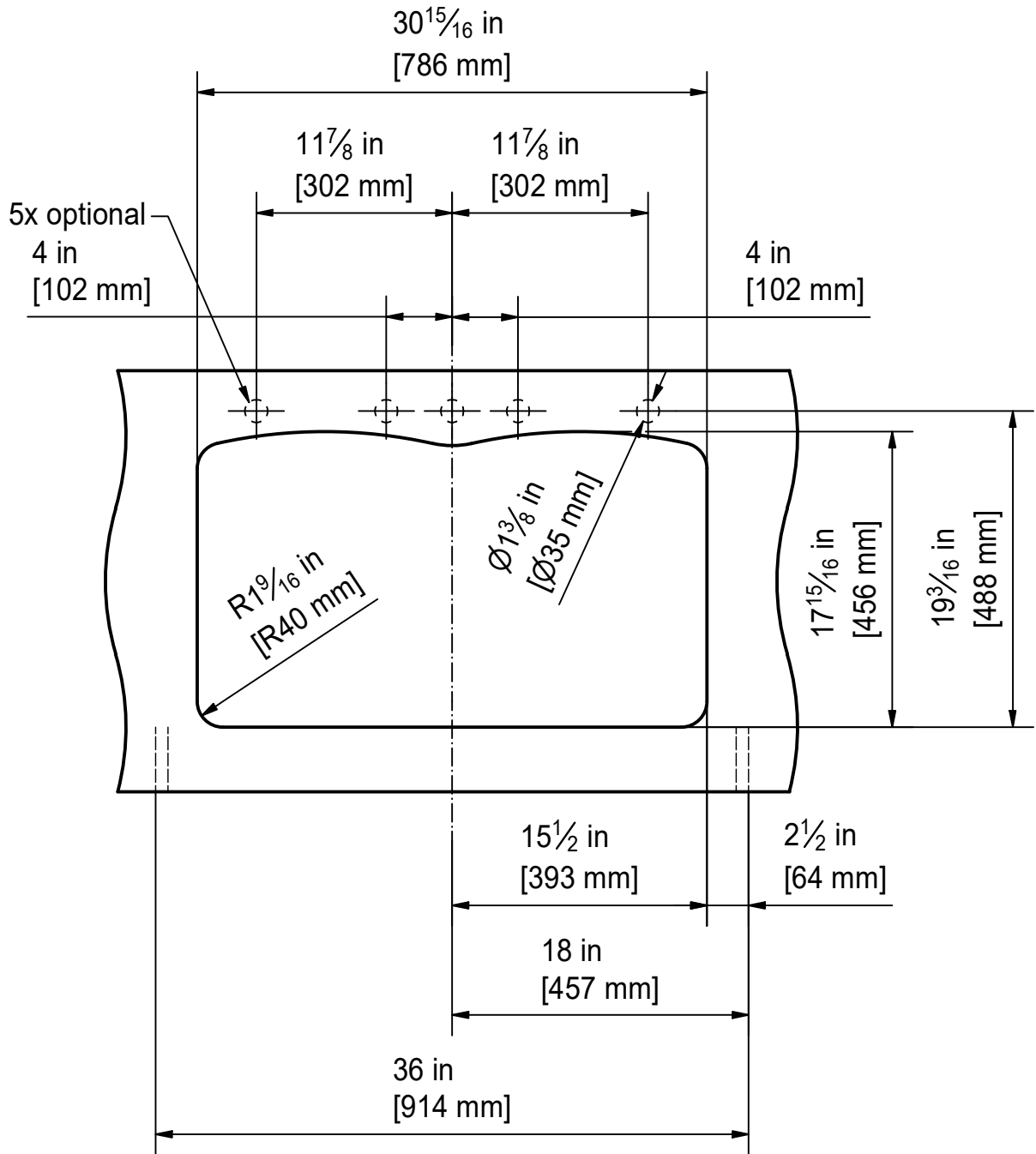
Drawing No.	20241678_01	Revision	-
Drawn Date	24.08.2022		
<small>These drawings and specifications are the property of Franke Technology and Trademark Ltd. and shall not be reproduced, copied or transferred to any third party without the prior written permission of Franke Technology and Trademark Ltd., Hergiswil, Switzerland</small>			

Franke Küchentechnik AG
CH-4663 Aarburg
Phone: +41 62 787 31 31
Internet: www.franke.com

ELG 120-36-36

Sheet	Sheets
2	7

CO



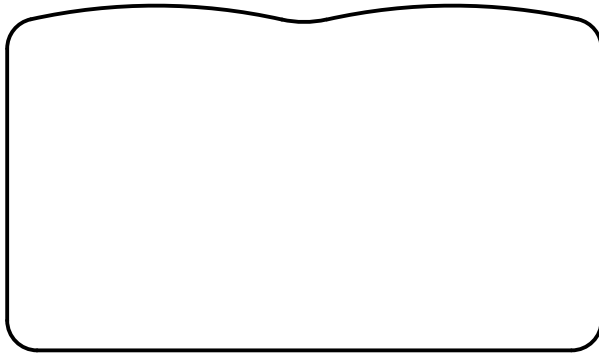
Drawing No.	20241678_01	Revision	-
Drawn Date	24.08.2022		
These drawings and specifications are the property of Franke Technology and Trademark Ltd. and shall not be reproduced, copied or transferred to any third party without the prior written permission of Franke Technology and Trademark Ltd., Hergiswil, Switzerland			

Franke K uchentechnik AG
CH-4663 Aarburg
Phone: +41 62 787 31 31
Internet: www.franke.com

ELG 120-36-36

Sheet	Sheets
3	7

CNC



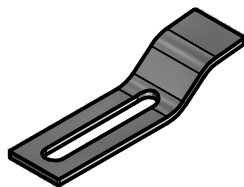
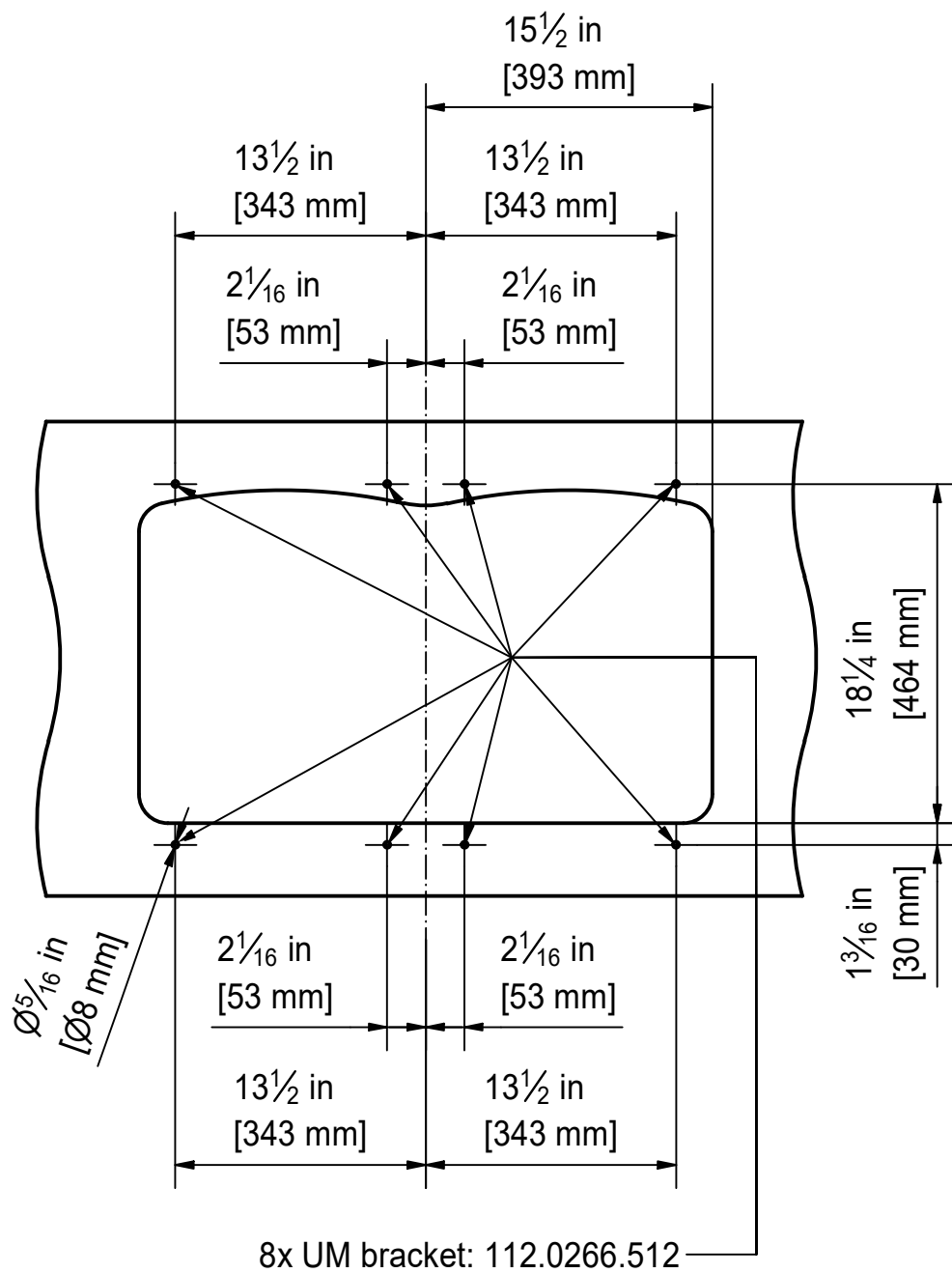
Drawing No.	20241678_01	Revision	-
Drawn Date	24.08.2022		
<small>These drawings and specifications are the property of Franke Technology and Trademark Ltd. and shall not be reproduced, copied or transferred to any third party without the prior written permission of Franke Technology and Trademark Ltd., Hergiswil, Switzerland</small>			

Franke Küchentechnik AG
CH-4663 Aarburg
Phone: +41 62 787 31 31
Internet: www.franke.com

ELG 120-36-36

Sheet	Sheets
4	7

FP



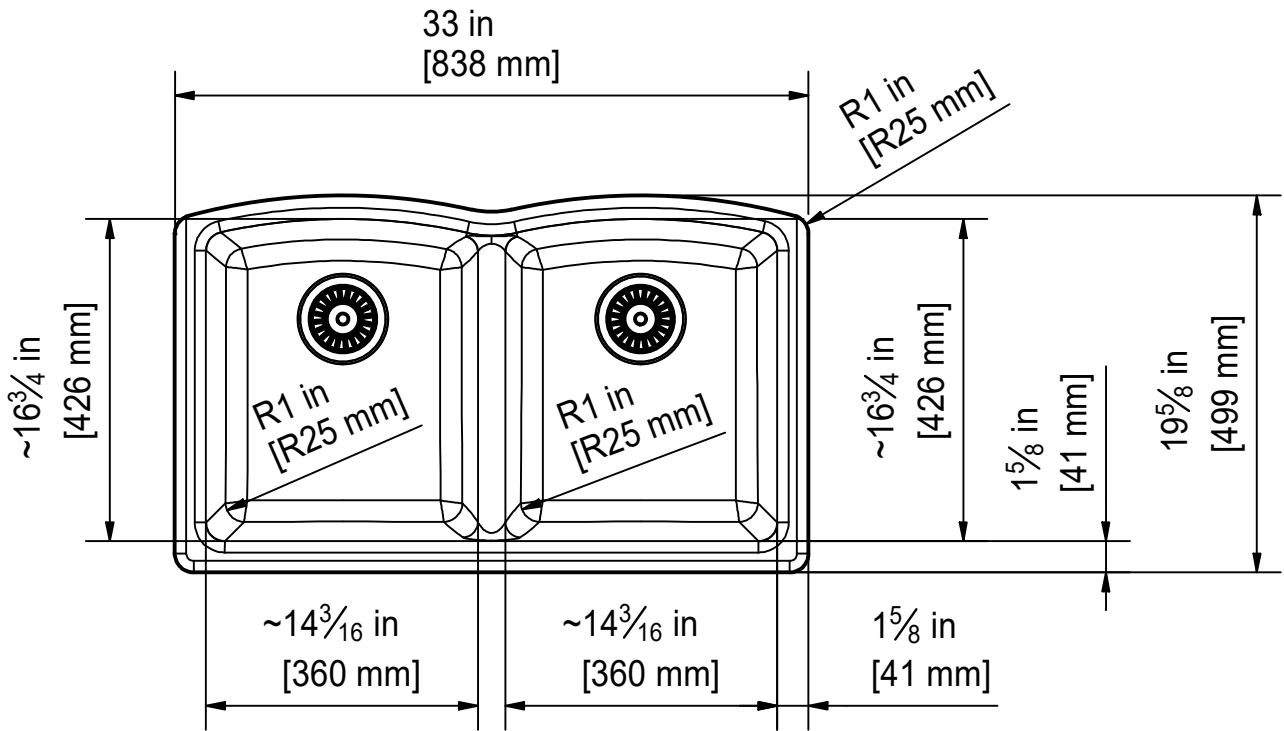
Drawing No.	20241678_01	Revision	-
Drawn Date	24.08.2022		
<small>These drawings and specifications are the property of Franke Technology and Trademark Ltd. and shall not be reproduced, copied or transferred to any third party without the prior written permission of Franke Technology and Trademark Ltd., Hergiswil, Switzerland</small>			

Franke Küchentechnik AG
 CH-4663 Aarburg
 Phone: +41 62 787 31 31
 Internet: www.franke.com

ELG 120-36-36

Sheet	Sheets
5	7

DT



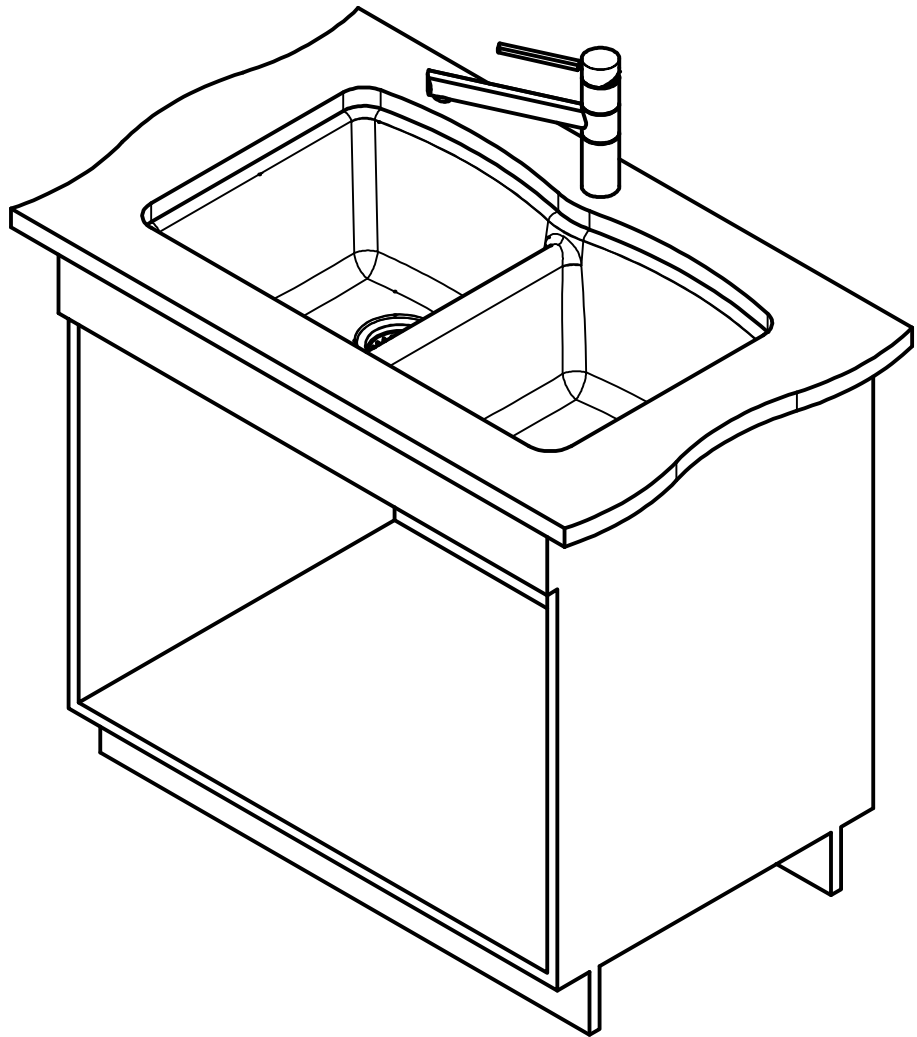
Drawing No.	20241678_01	Revision	-
Drawn Date	24.08.2022		
<small>These drawings and specifications are the property of Franke Technology and Trademark Ltd. and shall not be reproduced, copied or transferred to any third party without the prior written permission of Franke Technology and Trademark Ltd., Hergiswil, Switzerland</small>			

Franke Küchentechnik AG
CH-4663 Aarburg
Phone: +41 62 787 31 31
Internet: www.franke.com

ELG 120-36-36

Sheet	Sheets
6	7

ISO



Drawing No.	20241678_01	Revision	-
Drawn Date	24.08.2022		
<small>These drawings and specifications are the property of Franke Technology and Trademark Ltd. and shall not be reproduced, copied or transferred to any third party without the prior written permission of Franke Technology and Trademark Ltd., Hergiswil, Switzerland</small>			

Franke Küchentechnik AG
CH-4663 Aarburg
Phone: +41 62 787 31 31
Internet: www.franke.com

ELG 120-36-36

Sheet	Sheets
7	7