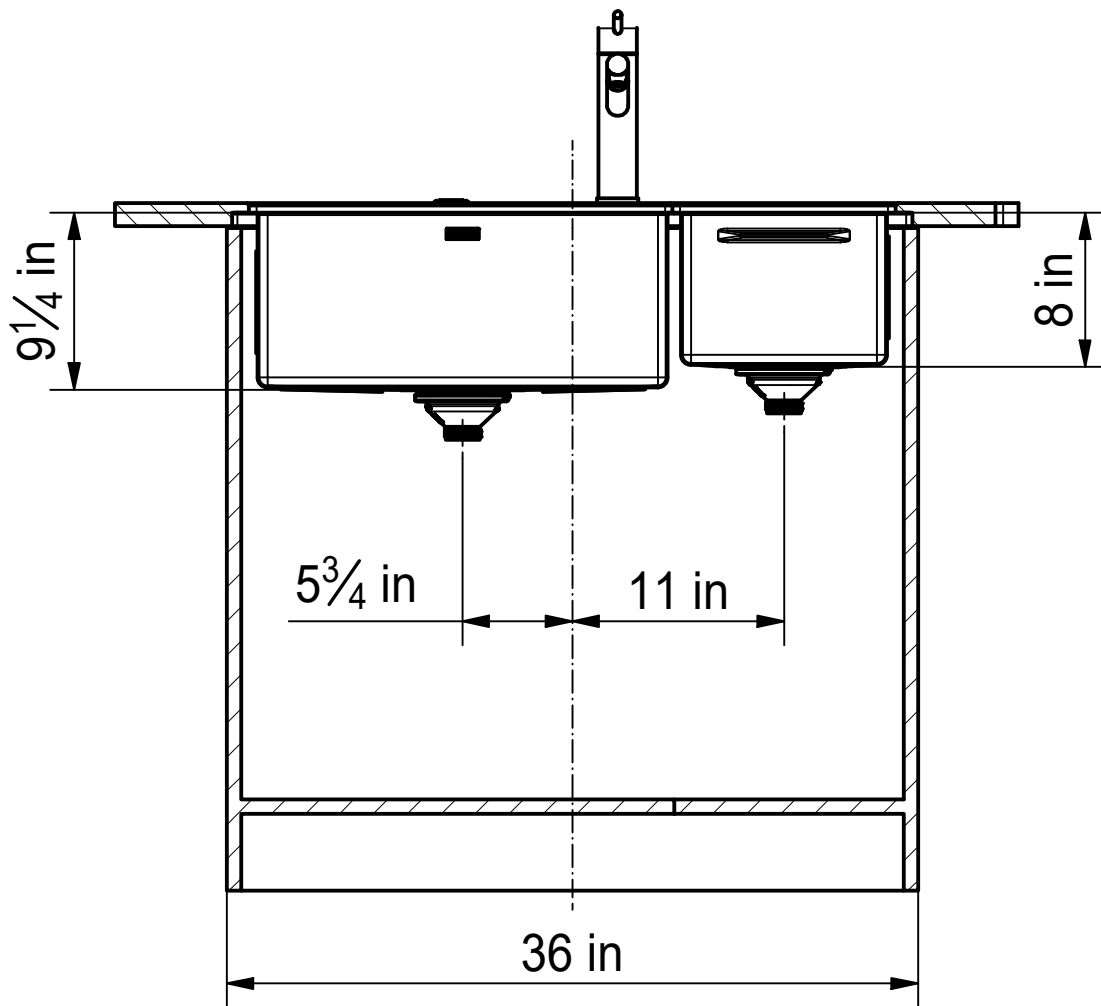


DF



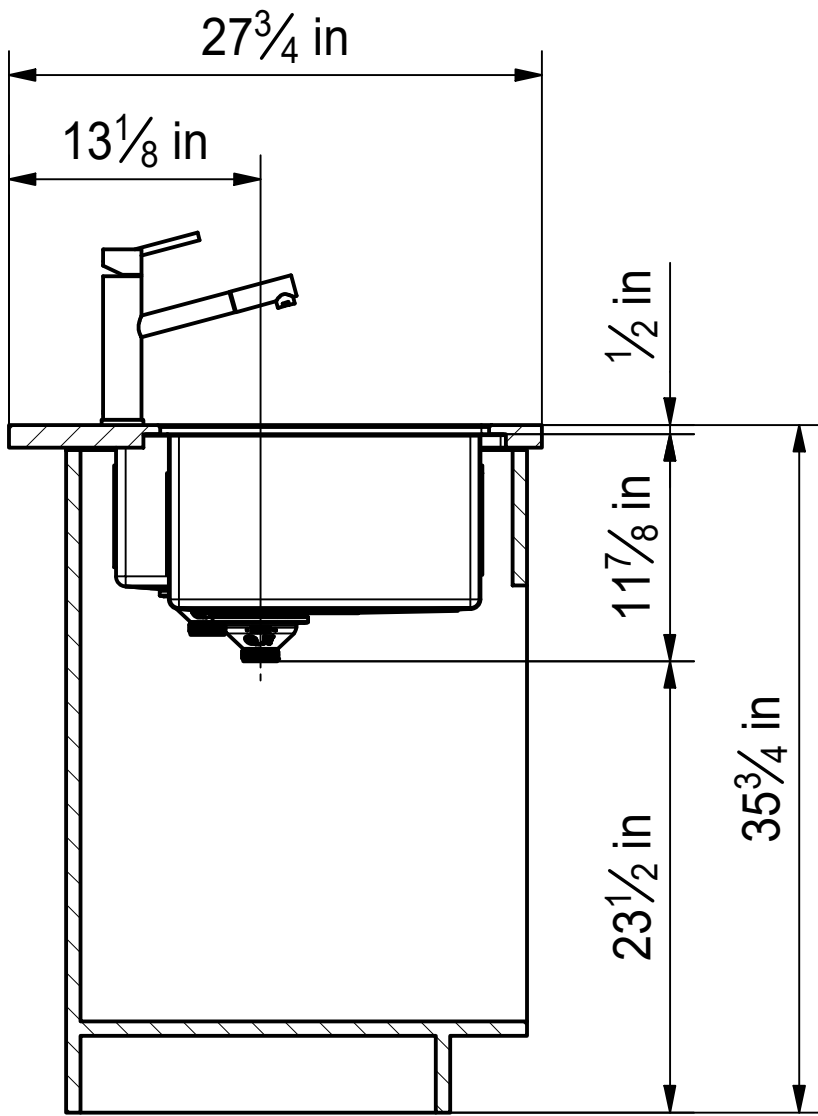
Drawing No.	20130454_04	Revision	C
Drawn Date	23.10.2018		
<small>These drawings and specifications are the property of Franke Technology and Trademark Ltd. and shall not be reproduced, copied or transferred to any third party without the prior written permission of Franke Technology and Trademark Ltd., Hergiswil, Switzerland</small>			



CUX 160-54-27 SBR SI

Sheet	Sheets
1	6

DS



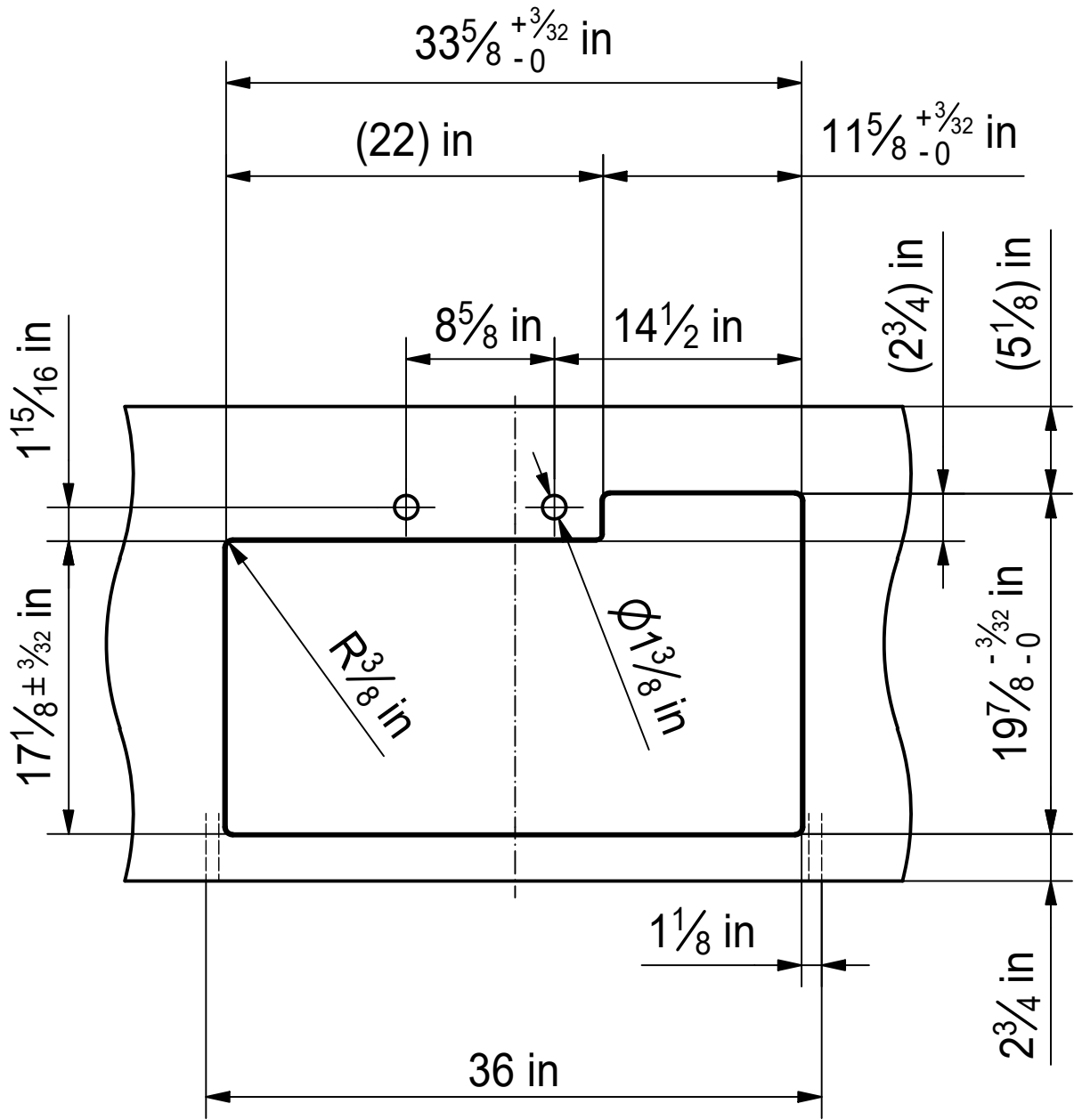
Drawing No.	20130454_04	Revision	C
Drawn Date	23.10.2018		
<small>These drawings and specifications are the property of Franke Technology and Trademark Ltd. and shall not be reproduced, copied or transferred to any third party without the prior written permission of Franke Technology and Trademark Ltd., Hergiswil, Switzerland</small>			



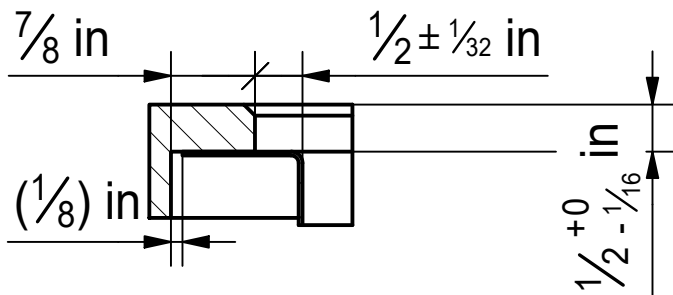
CUX 160-54-27 SBR SI

Sheet	Sheets
2	6

CO



for Worktops thicker than  $\frac{1}{2} \text{ in}$



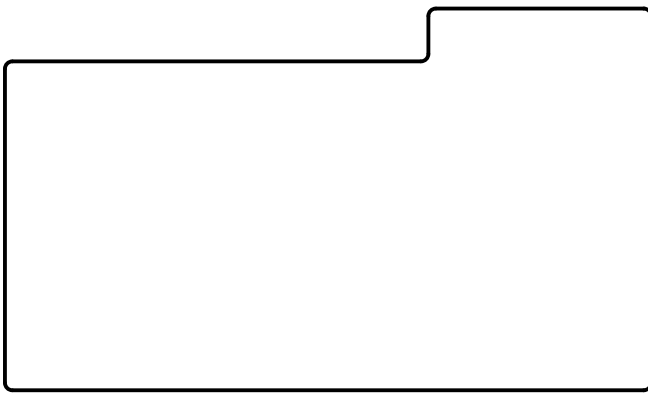
Drawing No.	20130454_04	Revision	C
Drawn Date	23.10.2018		
<small>These drawings and specifications are the property of Franke Technology and Trademark Ltd. and shall not be reproduced, copied or transferred to any third party without the prior written permission of Franke Technology and Trademark Ltd., Hergiswil, Switzerland</small>			



CUX 160-54-27 SBR SI

Sheet	Sheets
3	6

**CNC**



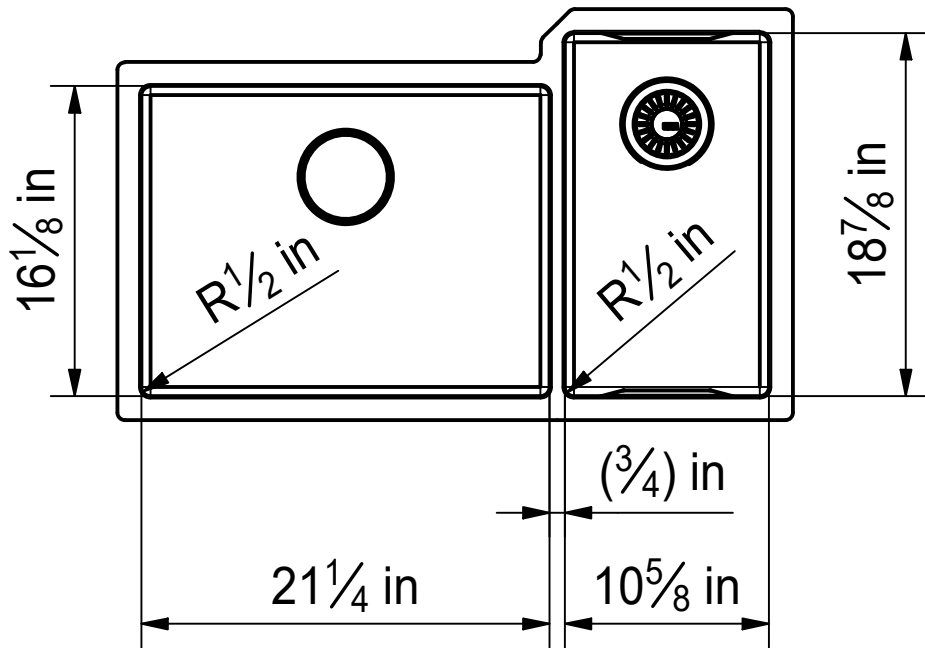
Drawing No.	20130454_04	Revision	C
Drawn Date	23.10.2018		
<small>These drawings and specifications are the property of Franke Technology and Trademark Ltd. and shall not be reproduced, copied or transferred to any third party without the prior written permission of Franke Technology and Trademark Ltd., Hergiswil, Switzerland</small>			



**CUX 160-54-27 SBR SI**

Sheet	Sheets
4	6

DT



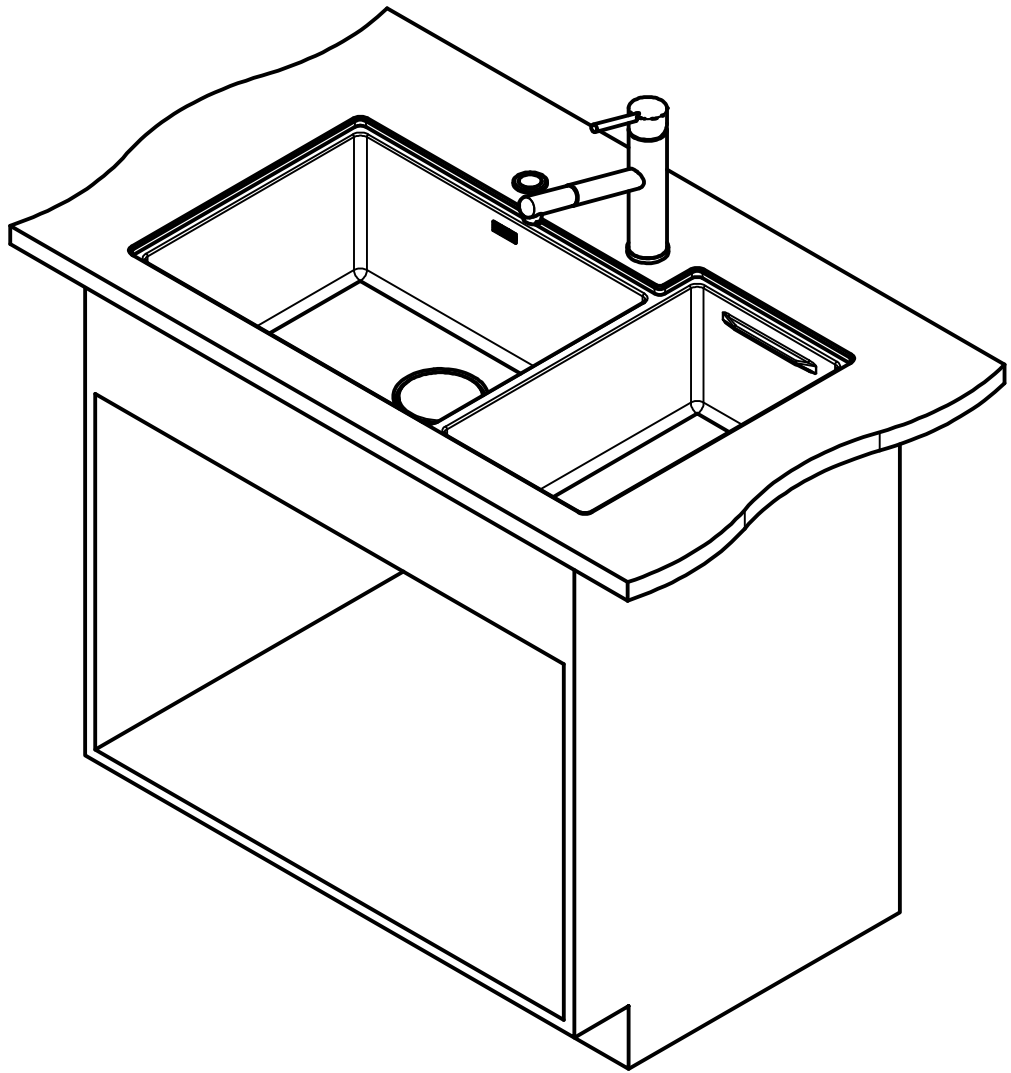
Drawing No.	20130454_04	Revision	C
Drawn Date	23.10.2018		
<small>These drawings and specifications are the property of Franke Technology and Trademark Ltd. and shall not be reproduced, copied or transferred to any third party without the prior written permission of Franke Technology and Trademark Ltd., Hergiswil, Switzerland</small>			



CUX 160-54-27 SBR SI

Sheet	Sheets
5	6

ISO



Drawing No.	20130454_04	Revision	C
Drawn Date	23.10.2018		
<small>These drawings and specifications are the property of Franke Technology and Trademark Ltd. and shall not be reproduced, copied or transferred to any third party without the prior written permission of Franke Technology and Trademark Ltd., Hergiswil, Switzerland</small>			



CUX 160-54-27 SBR SI

Sheet	Sheets
6	6