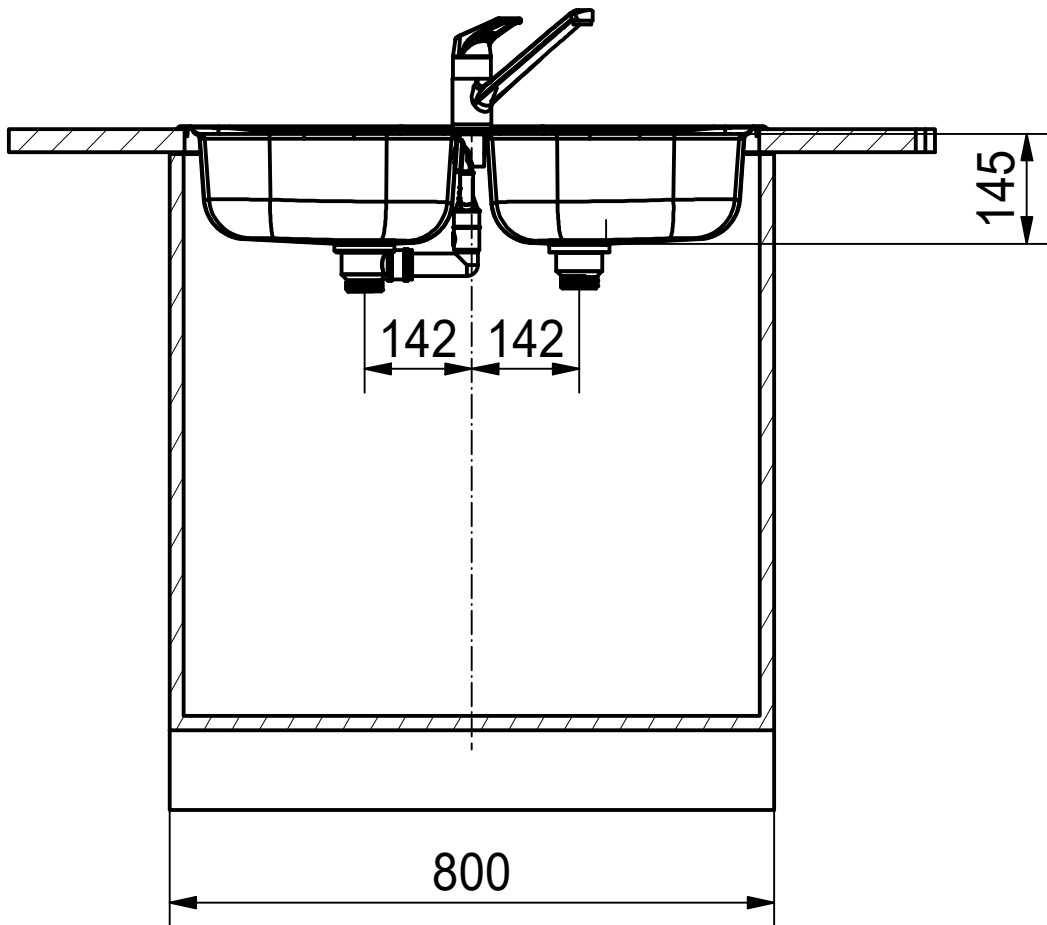


DF



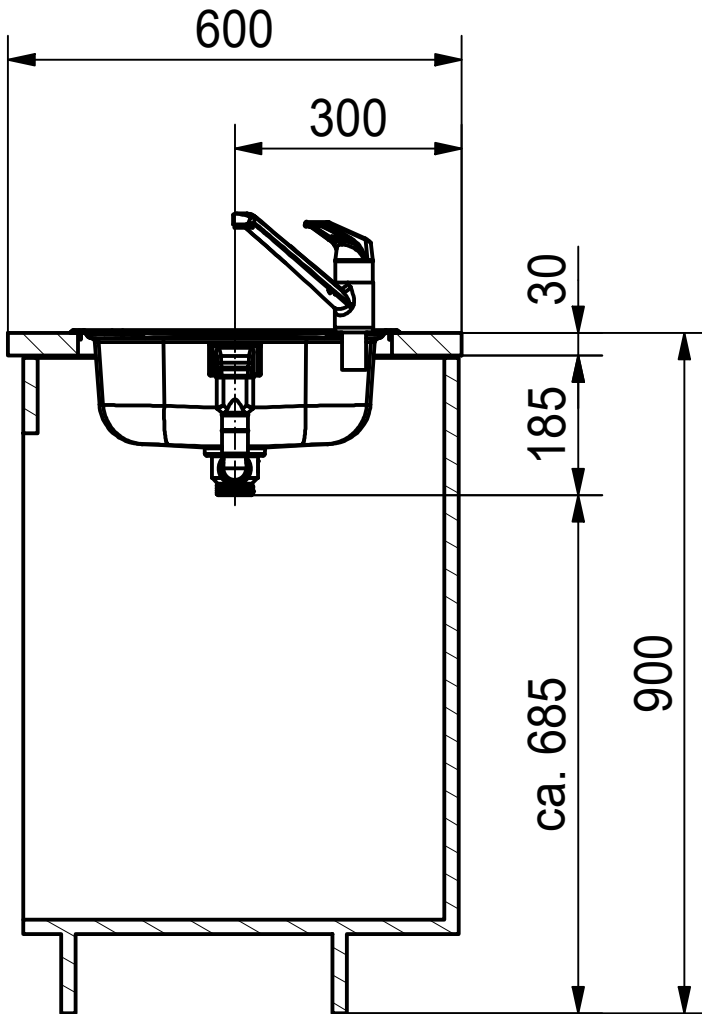
Drawing No.	20117908	Revision	-
Drawn Date	21.10.2014		
<small>These drawings and specifications are the property of Franke Technology and Trademark Ltd. and shall not be reproduced, copied or transferred to any third party without the prior written permission of Franke Technology and Trademark Ltd., Hergiswil, Switzerland</small>			

Franke Küchentechnik AG  
CH-4663 Aarburg  
Phone: +41 62 787 31 31  
Internet: www.franke.com

**CIN/CIL 620 2"**  
installing document

Sheet	Sheets
1	6

DS



Drawing No.	20117908	Revision	-
Drawn Date	21.10.2014		
<small>These drawings and specifications are the property of Franke Technology and Trademark Ltd. and shall not be reproduced, copied or transferred to any third party without the prior written permission of Franke Technology and Trademark Ltd., Hergiswil, Switzerland</small>			

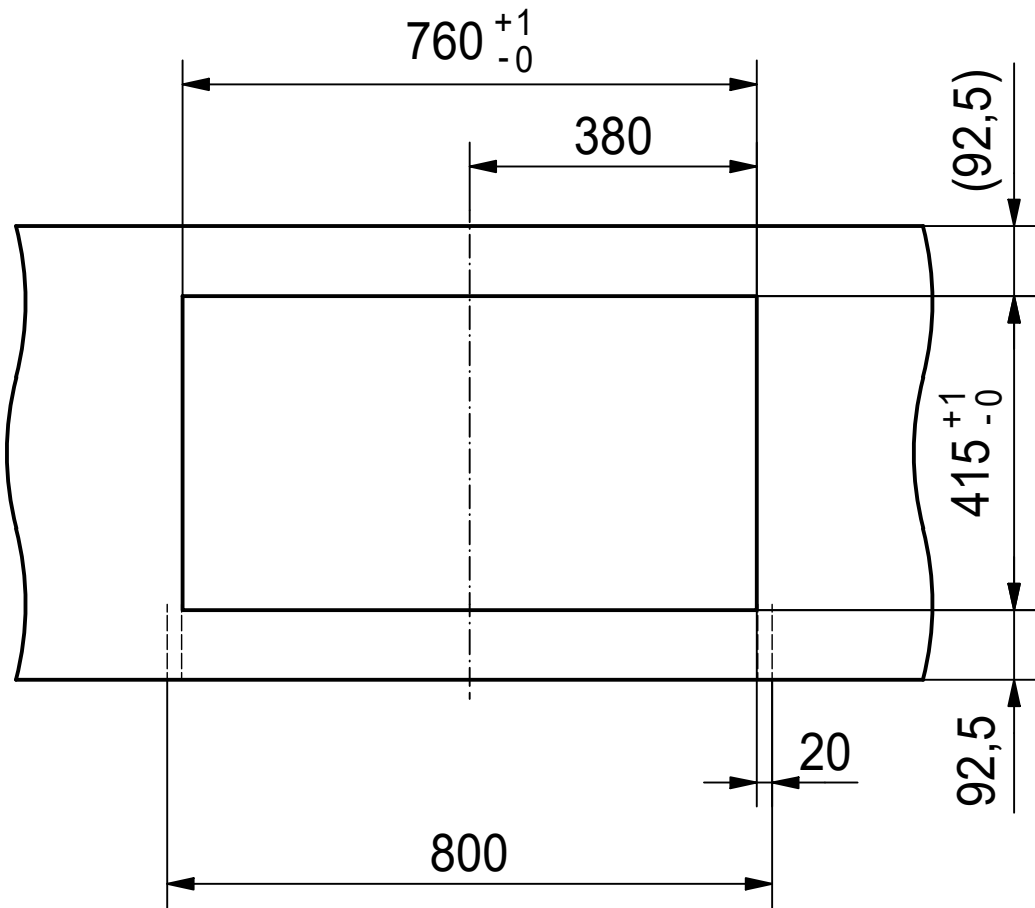
Franke Küchentechnik AG  
CH-4663 Aarburg  
Phone: +41 62 787 31 31  
Internet: www.franke.com

# CIN/CIL 620 2"

installing document

Sheet	Sheets
2	6

CO



Drawing No.	20117908	Revision	-
Drawn Date	21.10.2014		
<small>These drawings and specifications are the property of Franke Technology and Trademark Ltd. and shall not be reproduced, copied or transferred to any third party without the prior written permission of Franke Technology and Trademark Ltd., Hergiswil, Switzerland</small>			

Franke Küchentechnik AG  
CH-4663 Aarburg  
Phone: +41 62 787 31 31  
Internet: www.franke.com

**CIN/CIL 620 2"**  
installing document

Sheet	Sheets
3	6

**CNC**



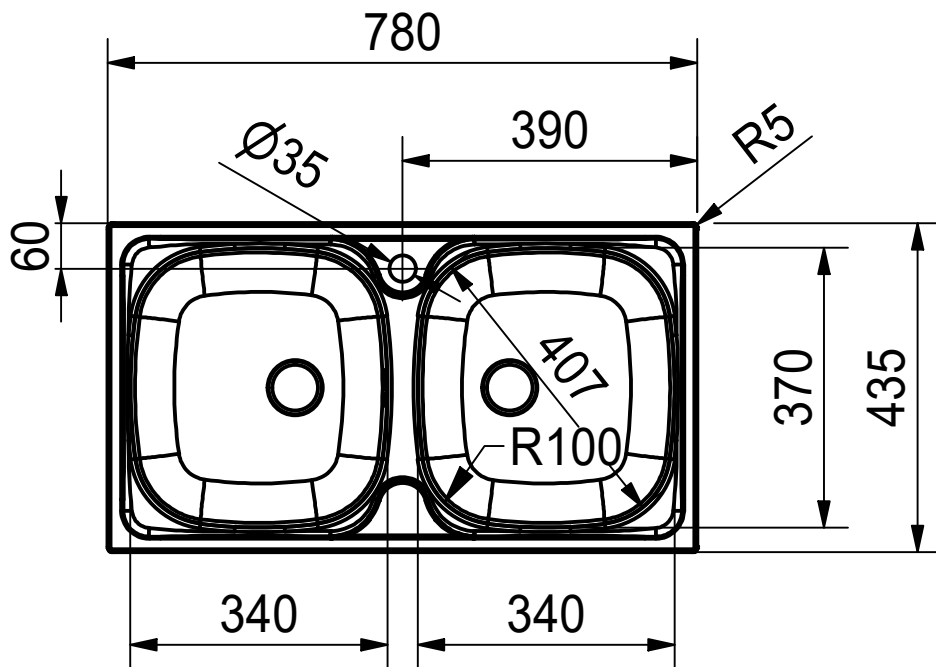
Drawing No.	20117908	Revision	-
Drawn Date	21.10.2014		
<small>These drawings and specifications are the property of Franke Technology and Trademark Ltd. and shall not be reproduced, copied or transferred to any third party without the prior written permission of Franke Technology and Trademark Ltd., Hergiswil, Switzerland</small>			

Franke Küchentechnik AG  
CH-4663 Aarburg  
Phone: +41 62 787 31 31  
Internet: www.franke.com

**CIN/CIL 620 2"**  
installing document

Sheet	Sheets
4	6

DT



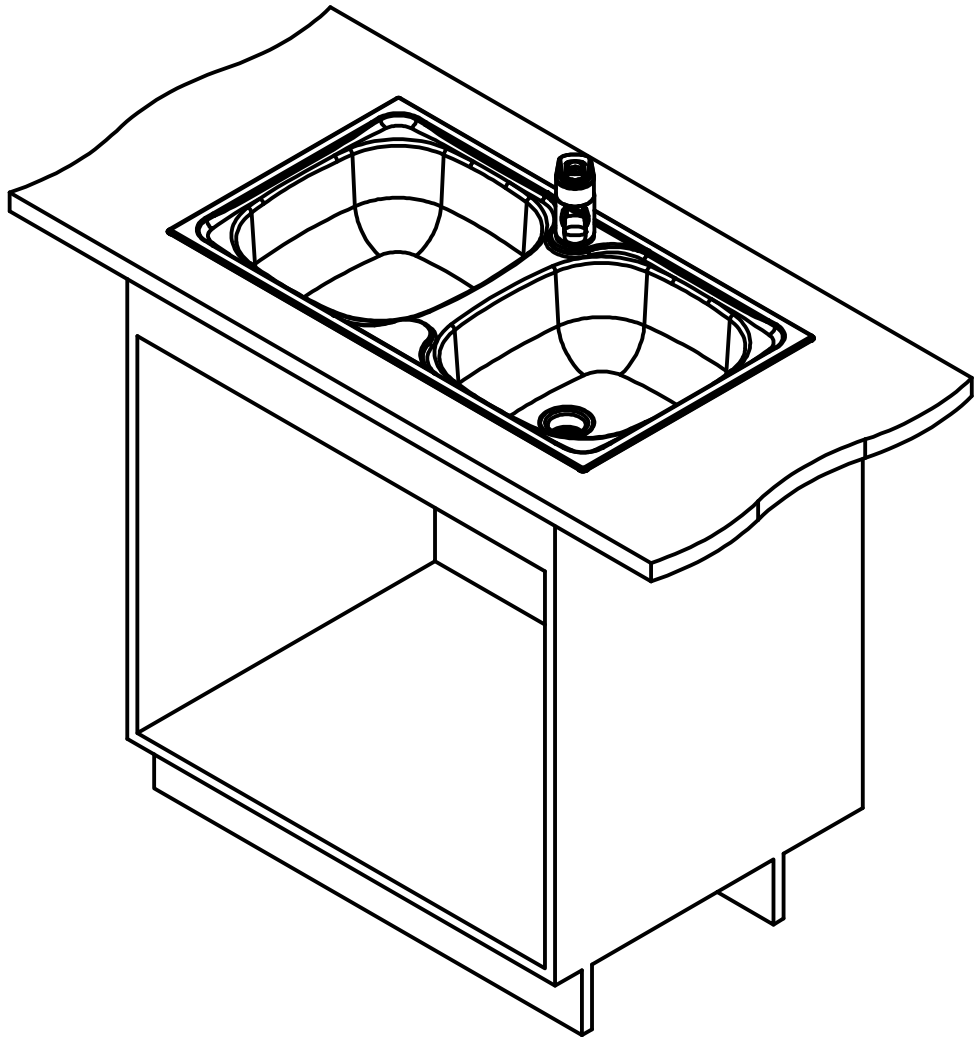
Drawing No.	20117908	Revision	-
Drawn Date	21.10.2014		
<small>These drawings and specifications are the property of Franke Technology and Trademark Ltd. and shall not be reproduced, copied or transferred to any third party without the prior written permission of Franke Technology and Trademark Ltd., Hergiswil, Switzerland</small>			

Franke Küchentechnik AG  
CH-4663 Aarburg  
Phone: +41 62 787 31 31  
Internet: www.franke.com

**CIN/CIL 620 2"**  
installing document

Sheet	Sheets
5	6

ISO



Drawing No.	20117908	Revision	-
Drawn Date	21.10.2014		
<small>These drawings and specifications are the property of Franke Technology and Trademark Ltd. and shall not be reproduced, copied or transferred to any third party without the prior written permission of Franke Technology and Trademark Ltd., Hergiswil, Switzerland</small>			

Franke Küchentechnik AG  
CH-4663 Aarburg  
Phone: +41 62 787 31 31  
Internet: www.franke.com

**CIN/CIL 620 2''**  
installing document

Sheet	Sheets
6	6