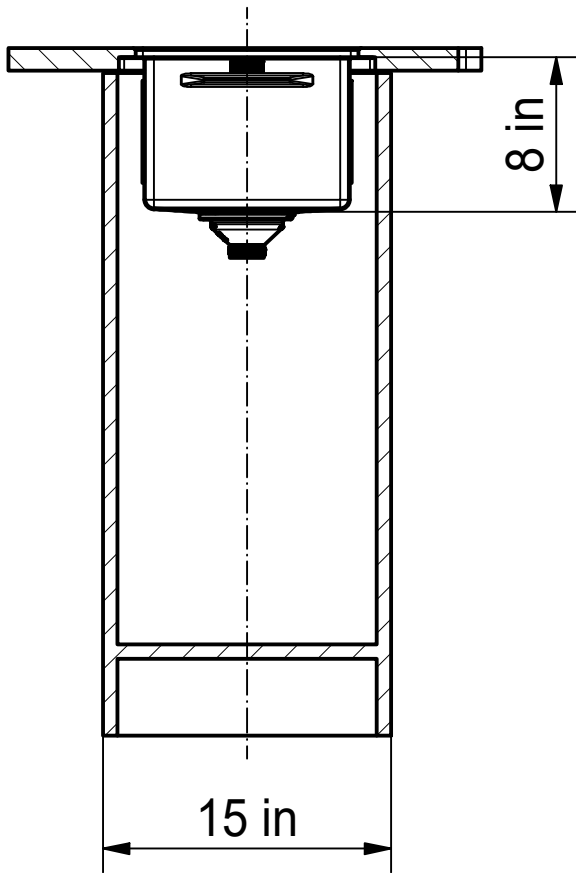


DF



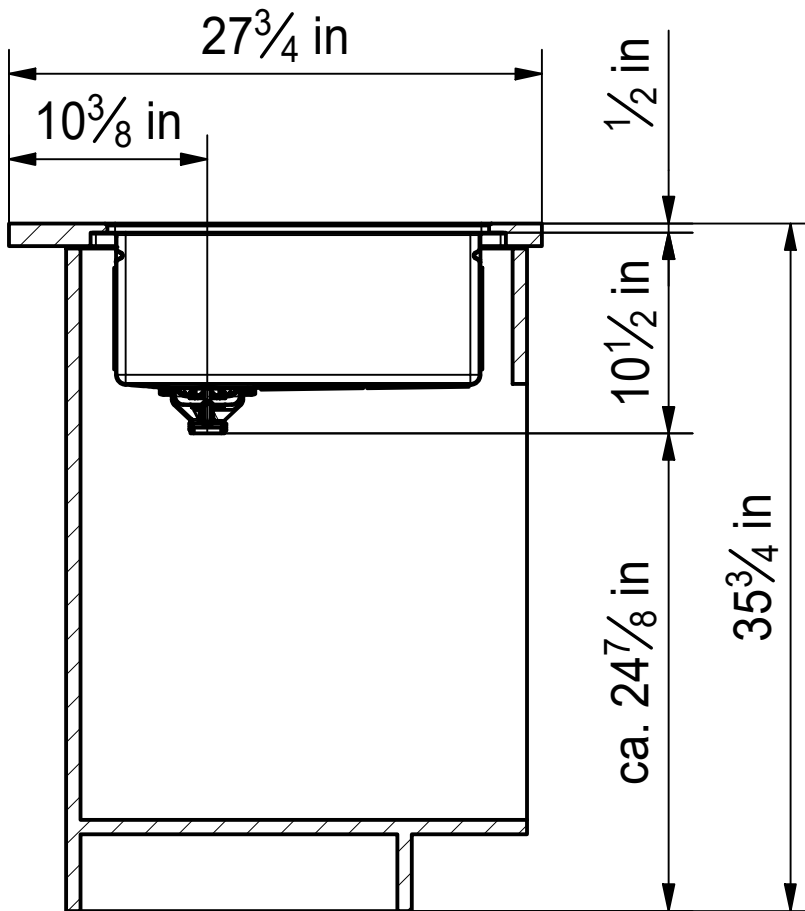
Drawing No.	20130479_03	Revision	B
Drawn Date	23.10.2018		
<small>These drawings and specifications are the property of Franke Technology and Trademark Ltd. and shall not be reproduced, copied or transferred to any third party without the prior written permission of Franke Technology and Trademark Ltd., Hergiswil, Switzerland</small>			



CUX 110-27 SI

Sheet	Sheets
1	6

DS



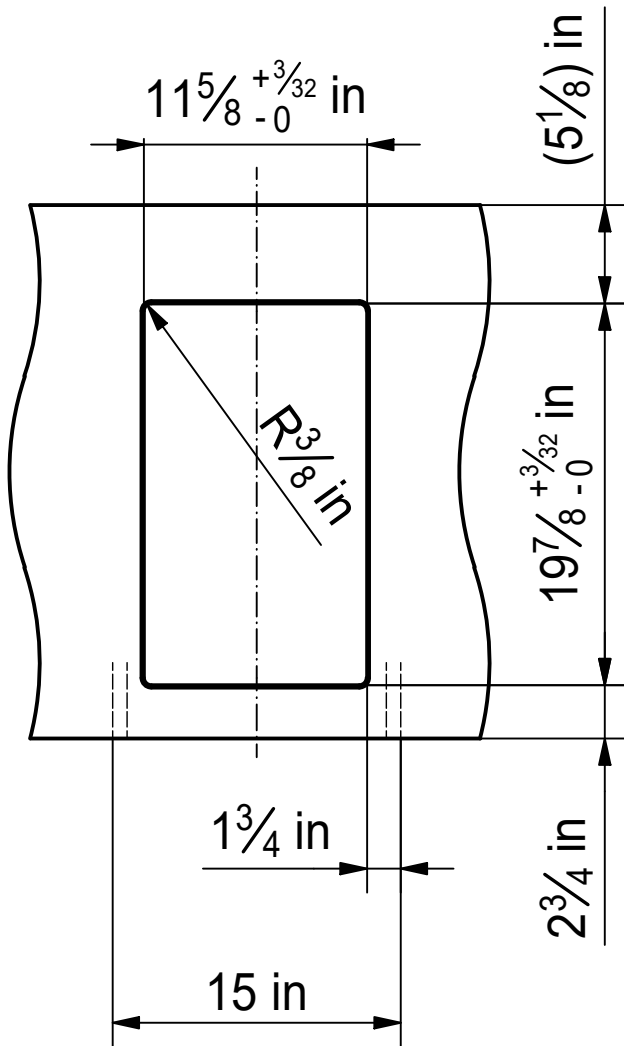
Drawing No.	20130479_03	Revision	B
Drawn Date	23.10.2018		
<small>These drawings and specifications are the property of Franke Technology and Trademark Ltd. and shall not be reproduced, copied or transferred to any third party without the prior written permission of Franke Technology and Trademark Ltd., Hergiswil, Switzerland</small>			



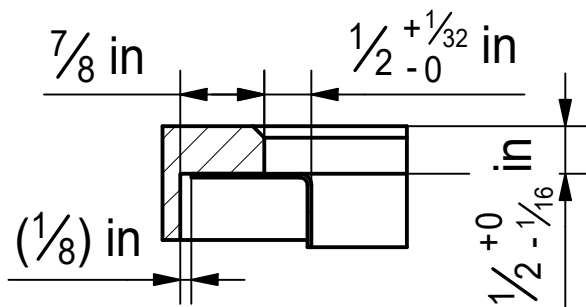
CUX 110-27 SI

Sheet	Sheets
2	6

CO



for Worktops thicker than 1/2 in



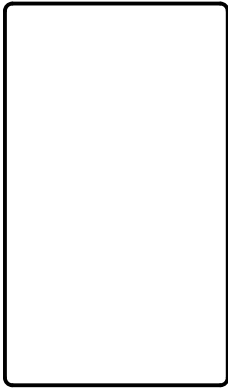
Drawing No.	20130479_03	Revision	B
Drawn Date	23.10.2018		
<small>These drawings and specifications are the property of Franke Technology and Trademark Ltd. and shall not be reproduced, copied or transferred to any third party without the prior written permission of Franke Technology and Trademark Ltd., Hergiswil, Switzerland</small>			



CUX 110-27 SI

Sheet	Sheets
3	6

**CNC**



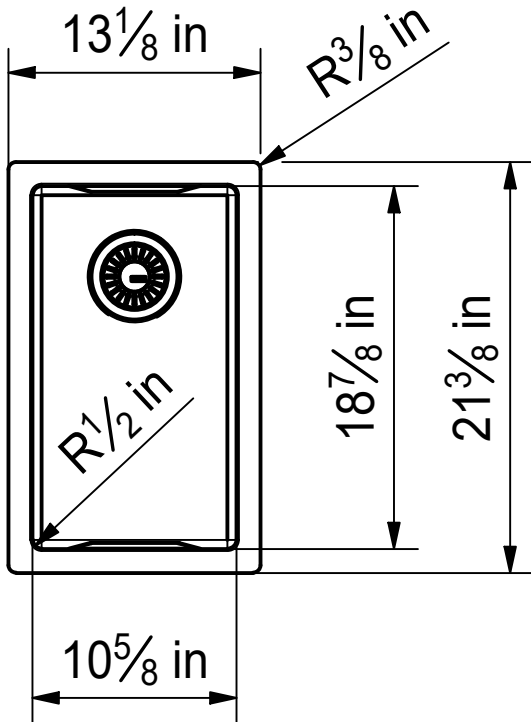
Drawing No.	20130479_03	Revision	B
Drawn Date	23.10.2018		
<small>These drawings and specifications are the property of Franke Technology and Trademark Ltd. and shall not be reproduced, copied or transferred to any third party without the prior written permission of Franke Technology and Trademark Ltd., Hergiswil, Switzerland</small>			



**CUX 110-27 SI**

Sheet	Sheets
4	6

DT



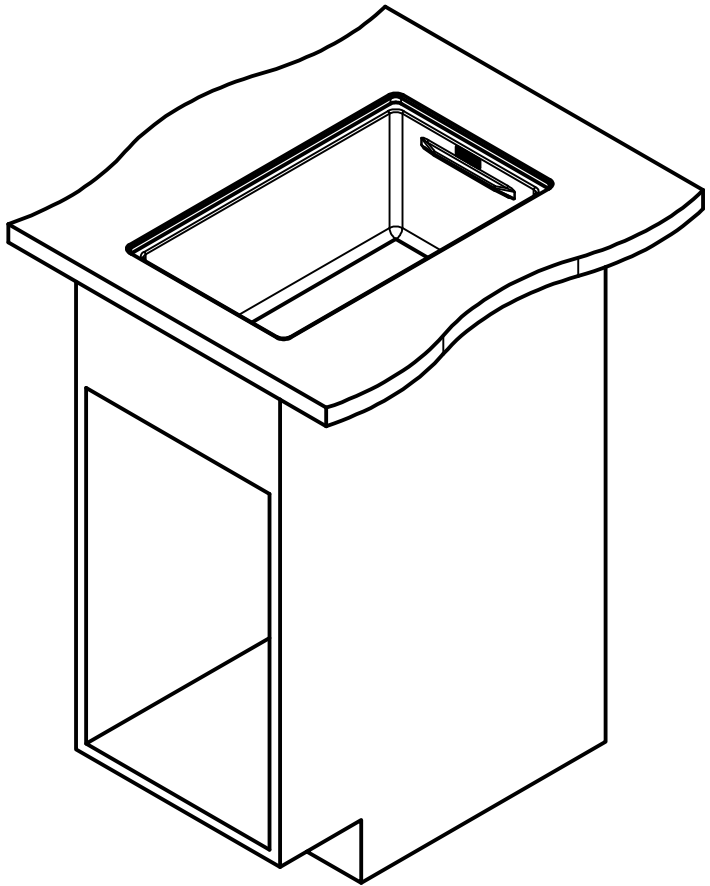
Drawing No.	20130479_03	Revision	B
Drawn Date	23.10.2018		
<small>These drawings and specifications are the property of Franke Technology and Trademark Ltd. and shall not be reproduced, copied or transferred to any third party without the prior written permission of Franke Technology and Trademark Ltd., Hergiswil, Switzerland</small>			



CUX 110-27 SI

Sheet	Sheets
5	6

ISO



Drawing No.	20130479_03	Revision	B
Drawn Date	23.10.2018		
<small>These drawings and specifications are the property of Franke Technology and Trademark Ltd. and shall not be reproduced, copied or transferred to any third party without the prior written permission of Franke Technology and Trademark Ltd., Hergiswil, Switzerland</small>			



CUX 110-27 SI

Sheet	Sheets
6	6