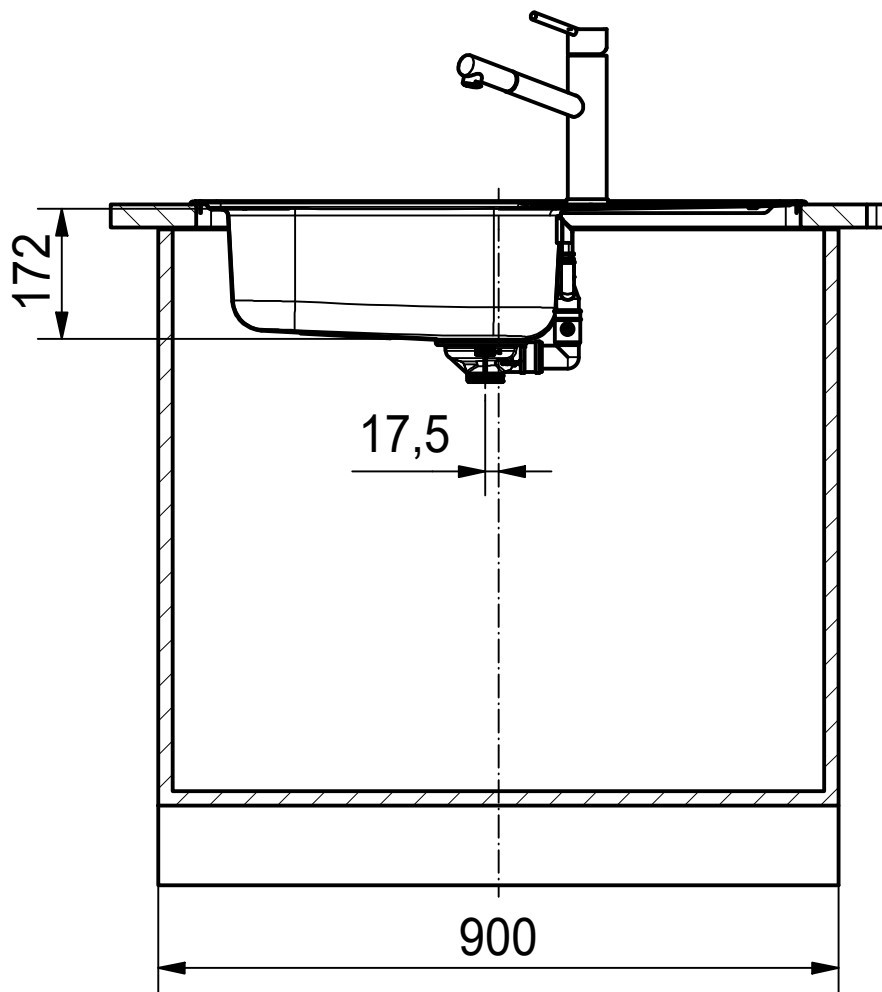


DF



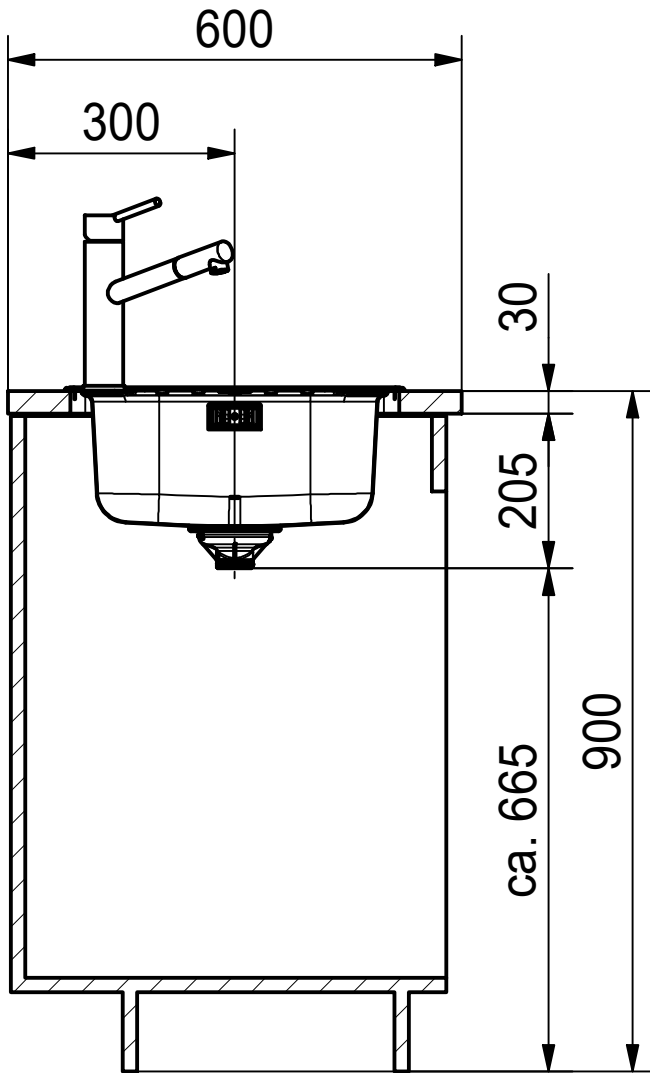
Drawing No.	20138960_01	Revision	-
Drawn Date	13.05.2019		
<small>These drawings and specifications are the property of Franke Technology and Trademark Ltd. and shall not be reproduced, copied or transferred to any third party without the prior written permission of Franke Technology and Trademark Ltd., Hergiswil, Switzerland</small>			



LNx 611-44 SI

Sheet	Sheets
1	6

DS



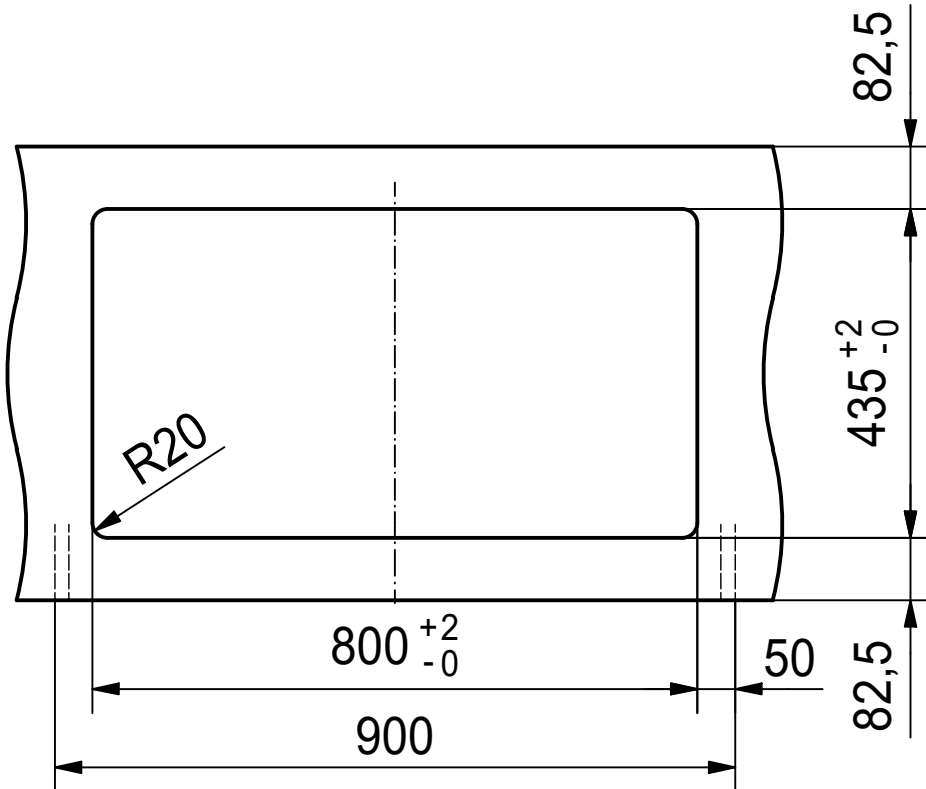
Drawing No.	20138960_01	Revision	-
Drawn Date	13.05.2019		
<small>These drawings and specifications are the property of Franke Technology and Trademark Ltd. and shall not be reproduced, copied or transferred to any third party without the prior written permission of Franke Technology and Trademark Ltd., Hergiswil, Switzerland</small>			



LNx 611-44 SI

Sheet	Sheets
2	6

CO



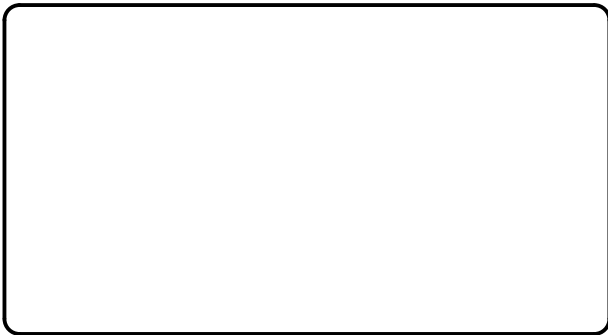
Drawing No.	20138960_01	Revision	-
Drawn Date	13.05.2019		
<small>These drawings and specifications are the property of Franke Technology and Trademark Ltd. and shall not be reproduced, copied or transferred to any third party without the prior written permission of Franke Technology and Trademark Ltd., Hergiswil, Switzerland</small>			



LNx 611-44 SI

Sheet	Sheets
3	6

CNC



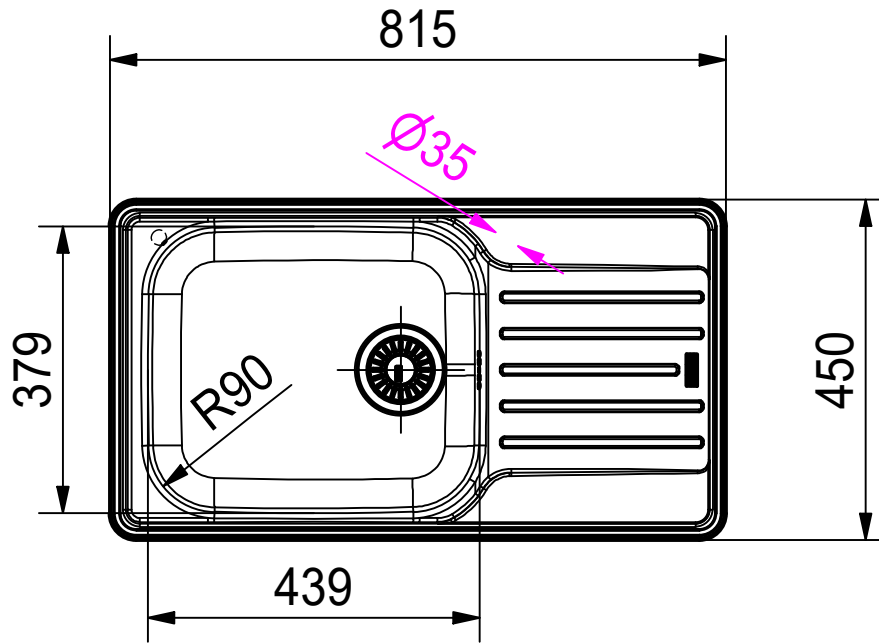
Drawing No.	20138960_01	Revision	-
Drawn Date	13.05.2019		
<small>These drawings and specifications are the property of Franke Technology and Trademark Ltd. and shall not be reproduced, copied or transferred to any third party without the prior written permission of Franke Technology and Trademark Ltd., Hergiswil, Switzerland</small>			



LNX 611-44 SI

Sheet	Sheets
4	6

DT



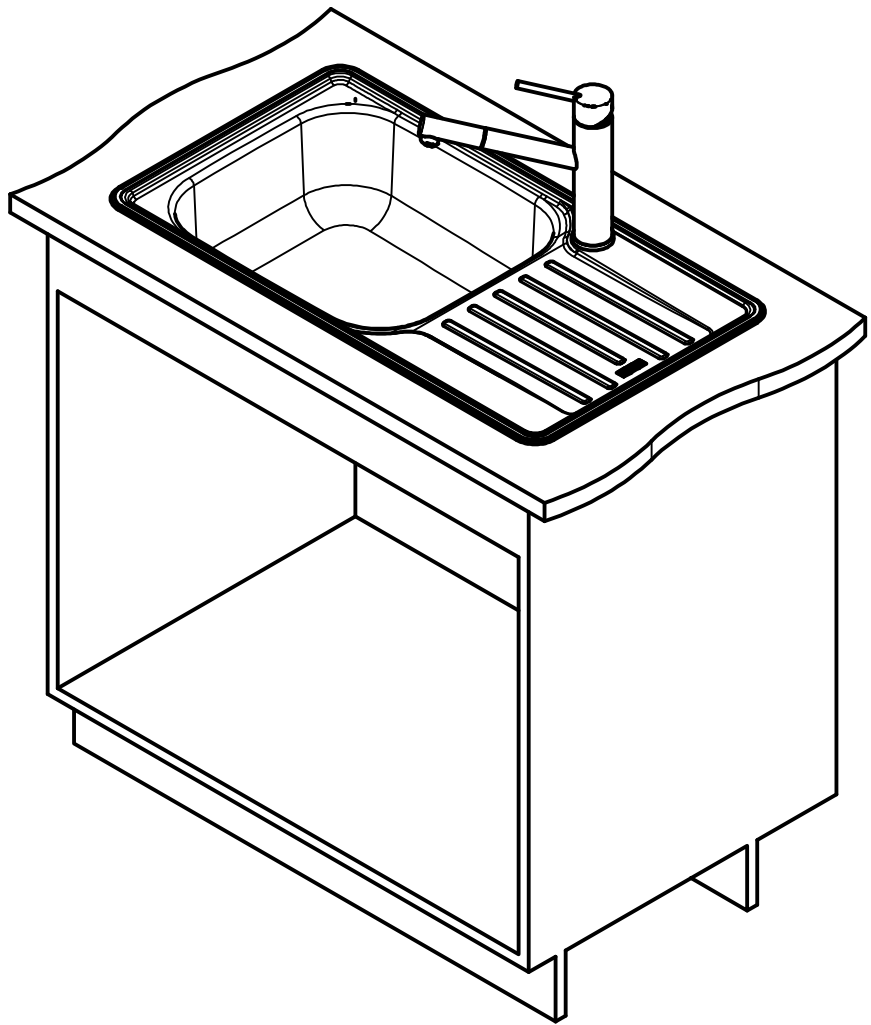
Drawing No.	20138960_01	Revision	-
Drawn Date	13.05.2019		
<small>These drawings and specifications are the property of Franke Technology and Trademark Ltd. and shall not be reproduced, copied or transferred to any third party without the prior written permission of Franke Technology and Trademark Ltd., Hergiswil, Switzerland</small>			



LNx 611-44 SI

Sheet	Sheets
5	6

ISO



Drawing No.	20138960_01	Revision	-
Drawn Date	13.05.2019		
<small>These drawings and specifications are the property of Franke Technology and Trademark Ltd. and shall not be reproduced, copied or transferred to any third party without the prior written permission of Franke Technology and Trademark Ltd., Hergiswil, Switzerland</small>			



LNx 611-44 SI

Sheet	Sheets
6	6