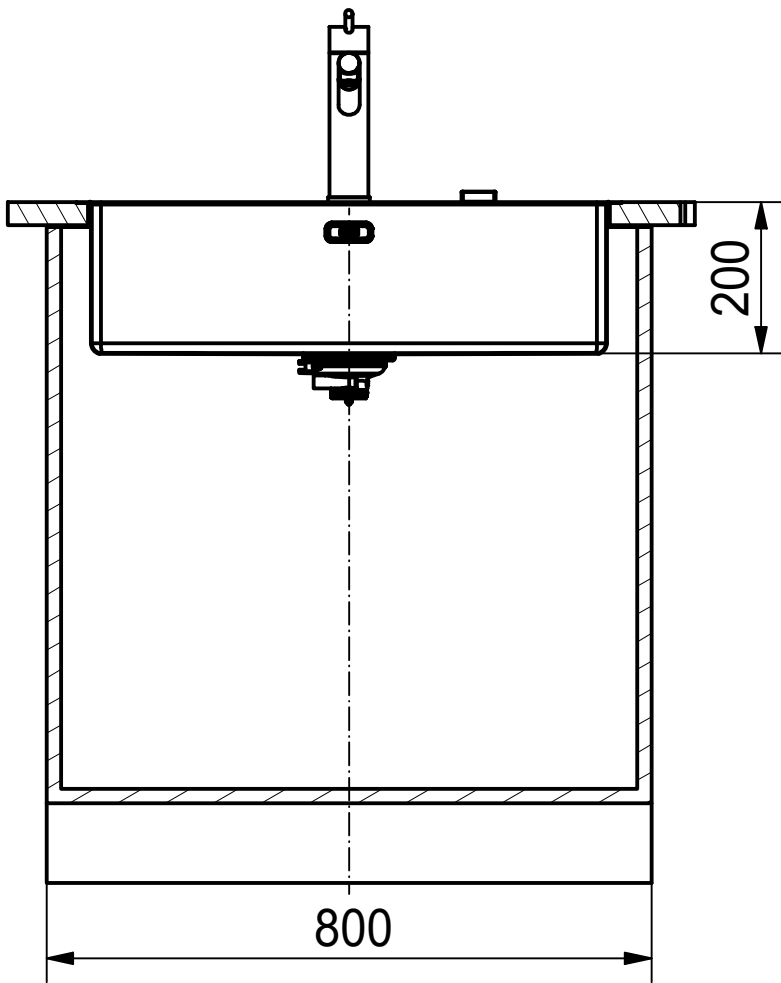


DF



Drawing No.	20119887	Revision	-
Drawn Date	10.10.2017		
<small>These drawings and specifications are the property of Franke Technology and Trademark Ltd. and shall not be reproduced, copied or transferred to any third party without the prior written permission of Franke Technology and Trademark Ltd., Hergiswil, Switzerland</small>			

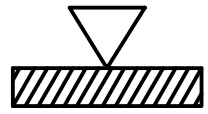
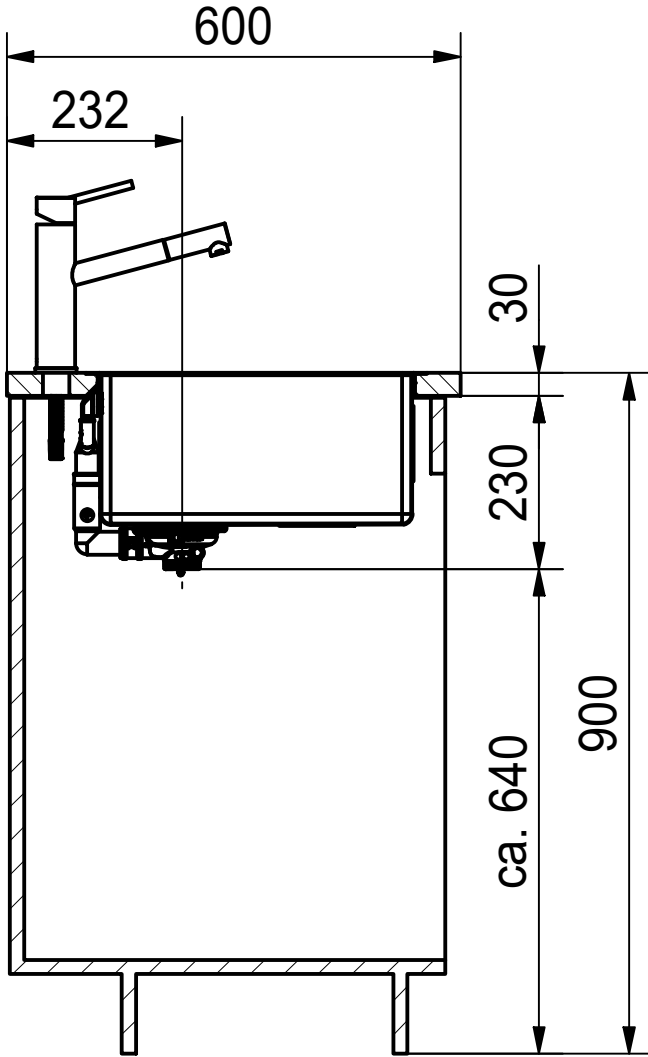
Franke Küchentechnik AG  
CH-4663 Aarburg  
Phone: +41 62 787 31 31  
Internet: www.franke.com

# BOX 210\_110 68

## Installing document

Sheet	Sheets
1	11

DS



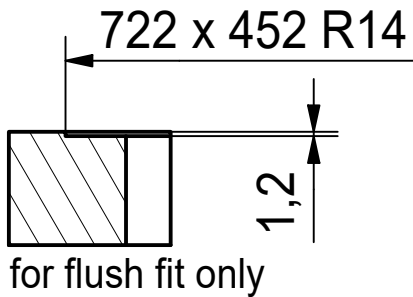
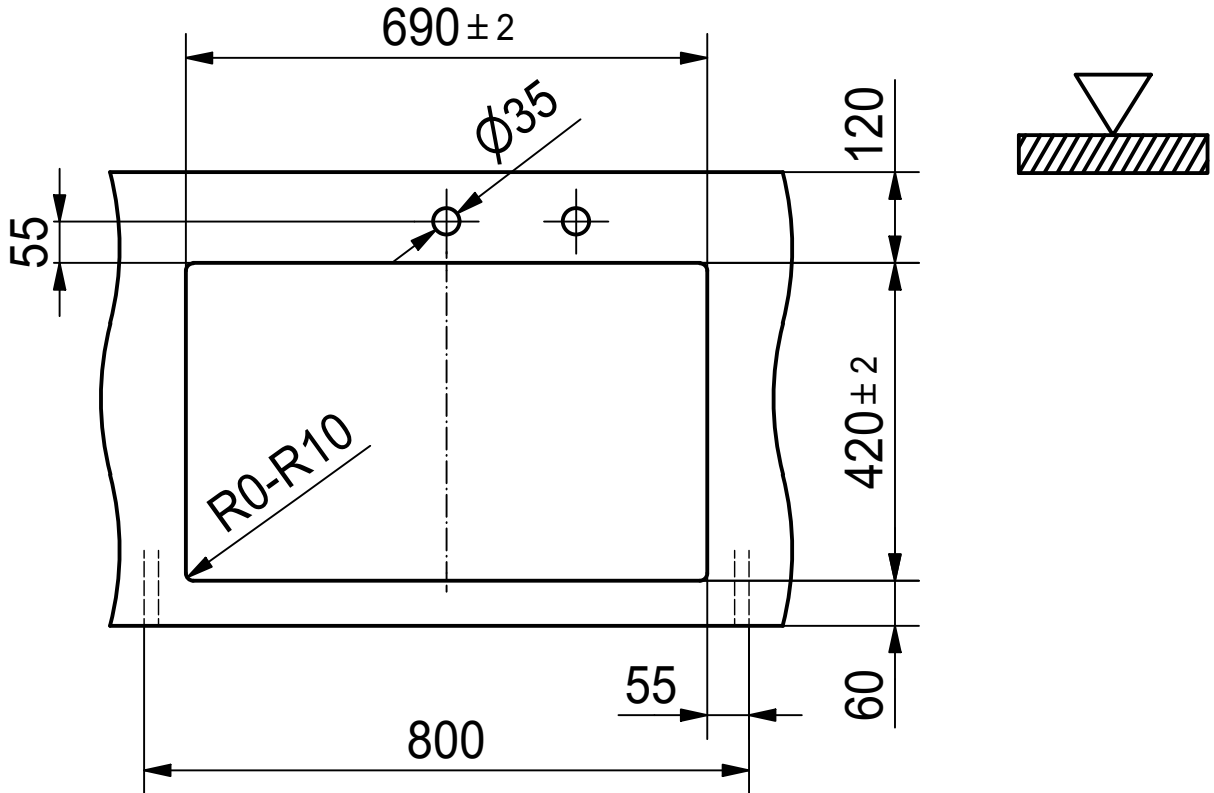
Drawing No.	20119887	Revision	-
Drawn Date	10.10.2017		
<small>These drawings and specifications are the property of Franke Technology and Trademark Ltd. and shall not be reproduced, copied or transferred to any third party without the prior written permission of Franke Technology and Trademark Ltd., Hergiswil, Switzerland</small>			

Franke K uchentechnik AG  
CH-4663 Aarburg  
Phone: +41 62 787 31 31  
Internet: www.franke.com

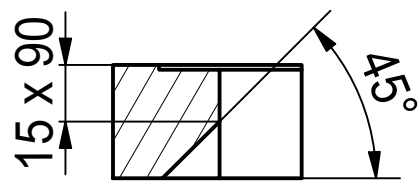
**BOX 210\_110 68**  
Installing document

Sheet	Sheets
2	11

CO



for flush fit only



for overflow area  
flush & top mount only

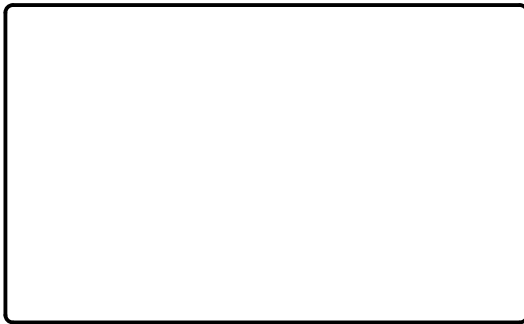
Drawing No.	20119887	Revision	-
Drawn Date	10.10.2017		
<small>These drawings and specifications are the property of Franke Technology and Trademark Ltd. and shall not be reproduced, copied or transferred to any third party without the prior written permission of Franke Technology and Trademark Ltd., Hergiswil, Switzerland</small>			

Franke Küchentechnik AG  
CH-4663 Aarburg  
Phone: +41 62 787 31 31  
Internet: www.franke.com

**BOX 210\_110 68**  
Installing document

Sheet	Sheets
3	11

**CNC**



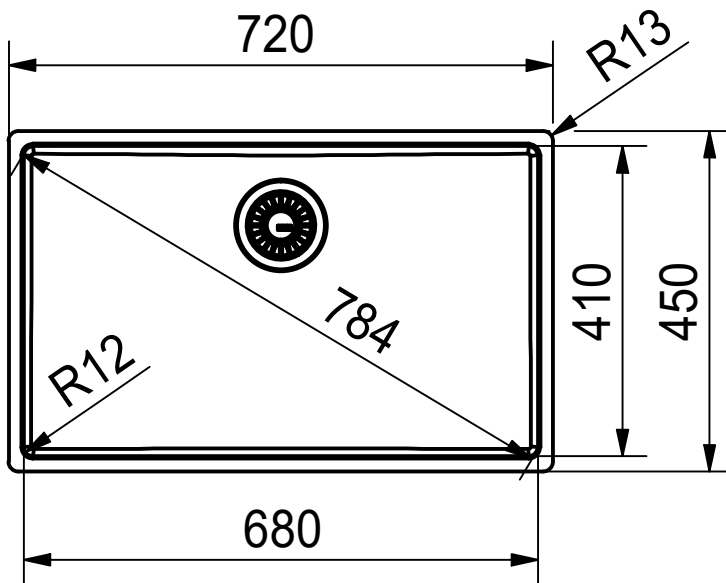
Drawing No.	20119887	Revision	-
Drawn Date	10.10.2017		
<small>These drawings and specifications are the property of Franke Technology and Trademark Ltd. and shall not be reproduced, copied or transferred to any third party without the prior written permission of Franke Technology and Trademark Ltd., Hergiswil, Switzerland</small>			

Franke Küchentechnik AG  
CH-4663 Aarburg  
Phone: +41 62 787 31 31  
Internet: www.franke.com

**BOX 210\_110 68**  
Installing document

Sheet	Sheets
<b>4</b>	<b>11</b>

DT



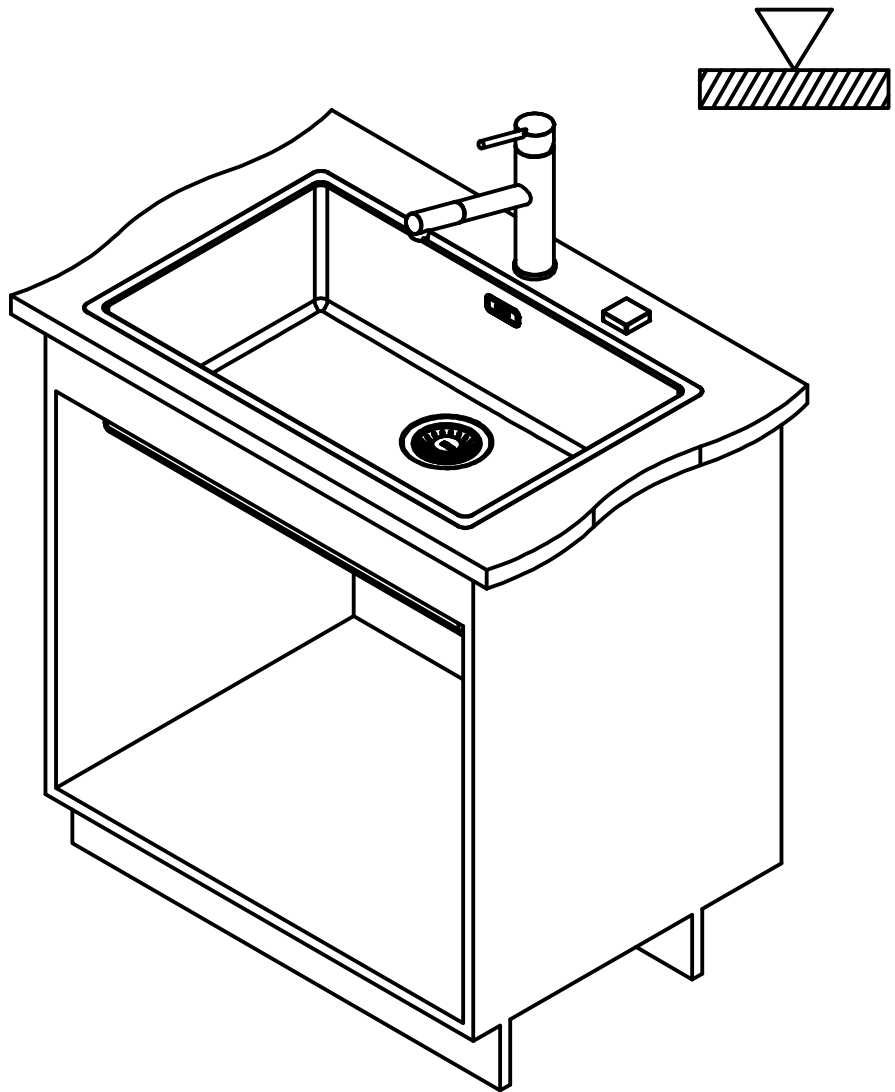
Drawing No.	20119887	Revision	-
Drawn Date	10.10.2017		
<small>These drawings and specifications are the property of Franke Technology and Trademark Ltd. and shall not be reproduced, copied or transferred to any third party without the prior written permission of Franke Technology and Trademark Ltd., Hergiswil, Switzerland</small>			

Franke Küchentechnik AG  
CH-4663 Aarburg  
Phone: +41 62 787 31 31  
Internet: www.franke.com

**BOX 210\_110 68**  
Installing document

Sheet	Sheets
5	11

ISO



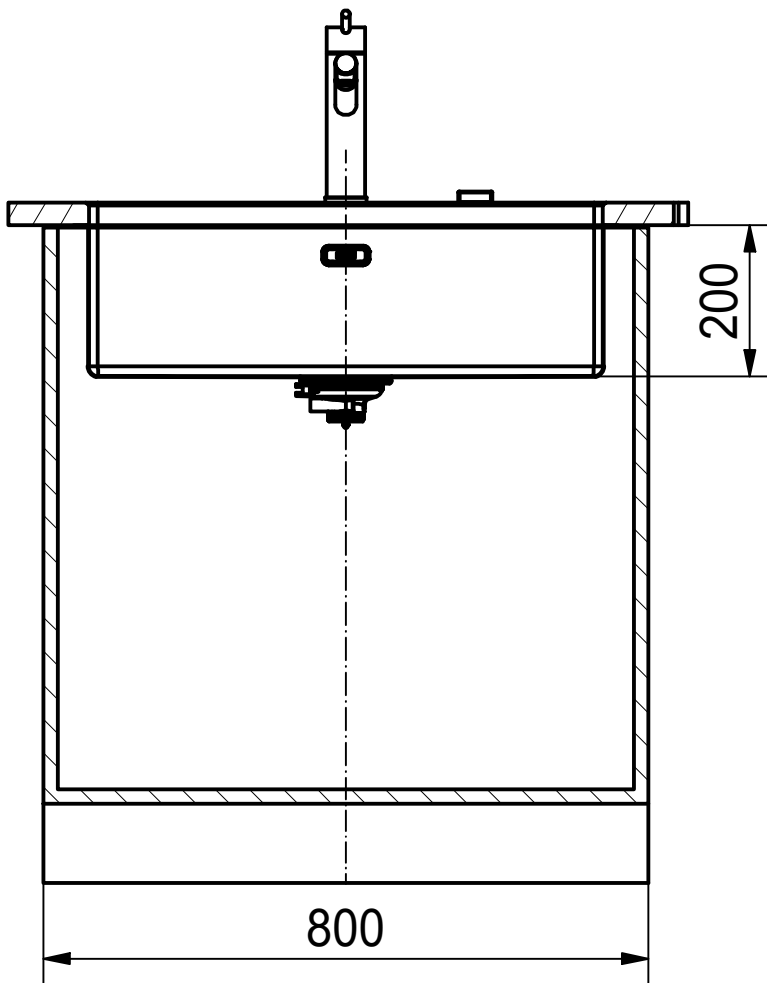
Drawing No.	20119887	Revision	-
Drawn Date	10.10.2017		
<small>These drawings and specifications are the property of Franke Technology and Trademark Ltd. and shall not be reproduced, copied or transferred to any third party without the prior written permission of Franke Technology and Trademark Ltd., Hergiswil, Switzerland</small>			

Franke Küchentechnik AG  
CH-4663 Aarburg  
Phone: +41 62 787 31 31  
Internet: www.franke.com

**BOX 210\_110 68**  
Installing document

Sheet	Sheets
<b>6</b>	<b>11</b>

DF



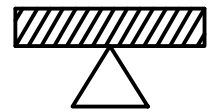
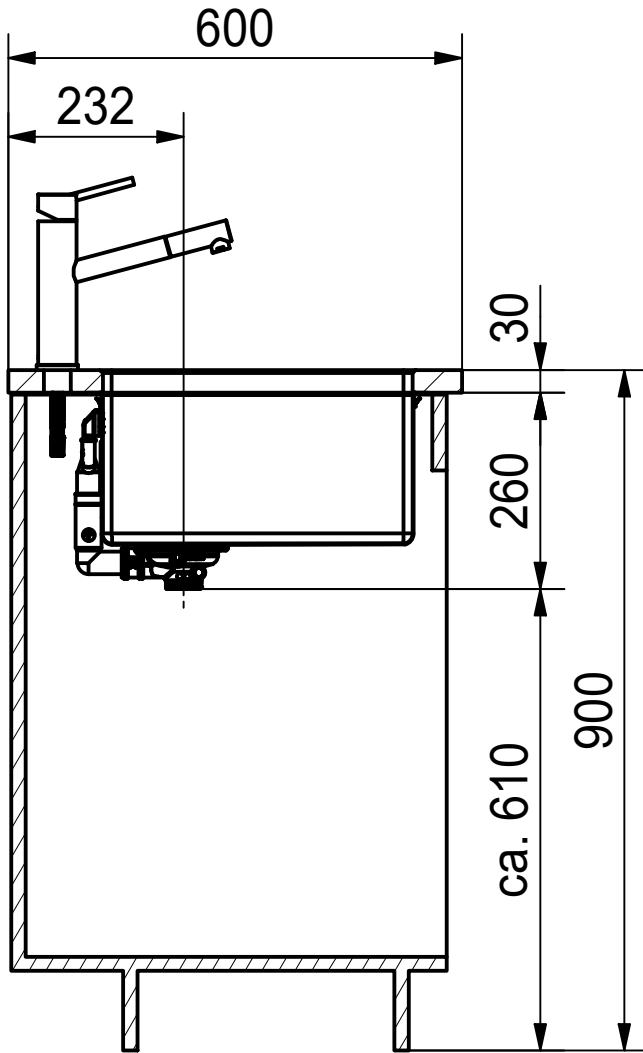
Drawing No.	20119887	Revision	-
Drawn Date	10.10.2017		
<small>These drawings and specifications are the property of Franke Technology and Trademark Ltd. and shall not be reproduced, copied or transferred to any third party without the prior written permission of Franke Technology and Trademark Ltd., Hergiswil, Switzerland</small>			

Franke Küchentechnik AG  
CH-4663 Aarburg  
Phone: +41 62 787 31 31  
Internet: www.franke.com

**BOX 210\_110 68**  
Installing document

Sheet	Sheets
7	11

DS



Drawing No.	20119887	Revision	-
Drawn Date	10.10.2017		
<small>These drawings and specifications are the property of Franke Technology and Trademark Ltd. and shall not be reproduced, copied or transferred to any third party without the prior written permission of Franke Technology and Trademark Ltd., Hergiswil, Switzerland</small>			

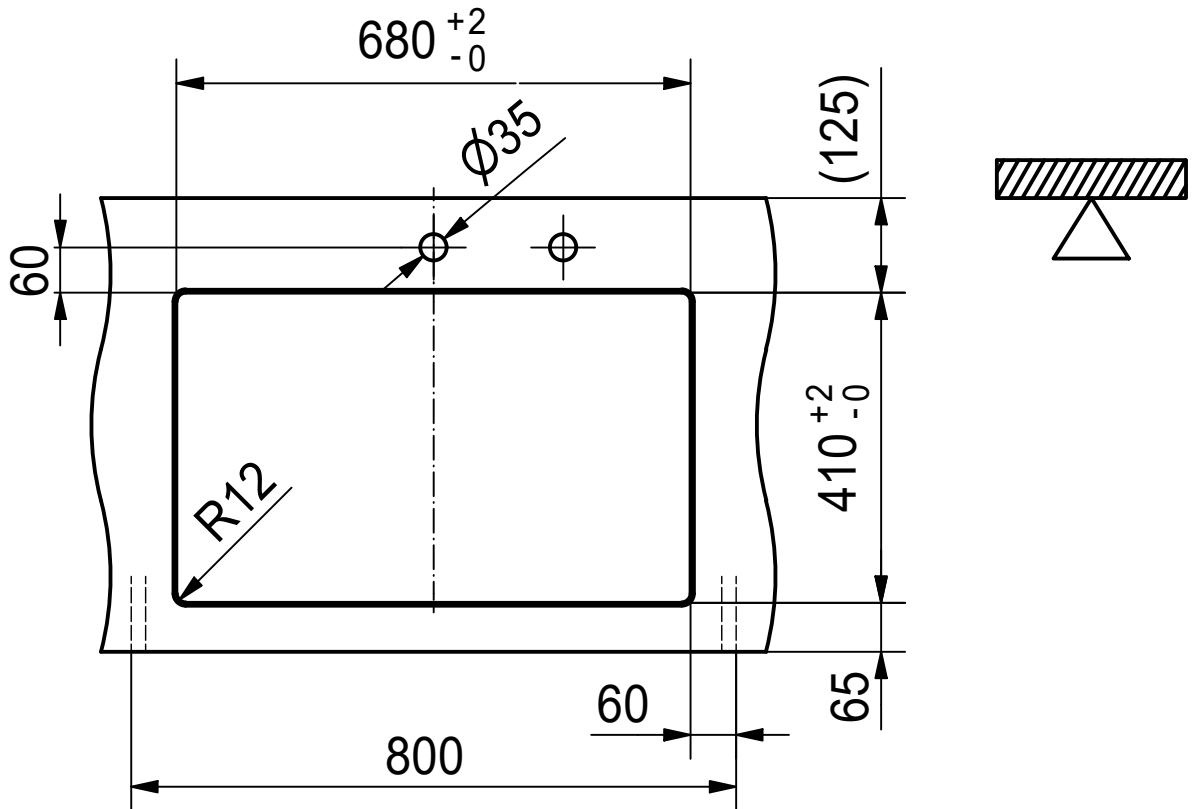
Franke Küchentechnik AG  
CH-4663 Aarburg  
Phone: +41 62 787 31 31  
Internet: www.franke.com

**BOX 210\_110 68**  
Installing document

Sheet	Sheets
8	11



CO



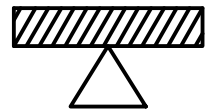
Drawing No.	20119887	Revision	-
Drawn Date	10.10.2017		
<small>These drawings and specifications are the property of Franke Technology and Trademark Ltd. and shall not be reproduced, copied or transferred to any third party without the prior written permission of Franke Technology and Trademark Ltd., Hergiswil, Switzerland</small>			

Franke Küchentechnik AG  
CH-4663 Aarburg  
Phone: +41 62 787 31 31  
Internet: www.franke.com

**BOX 210\_110 68**  
Installing document

Sheet	Sheets
9	11

**CNC**



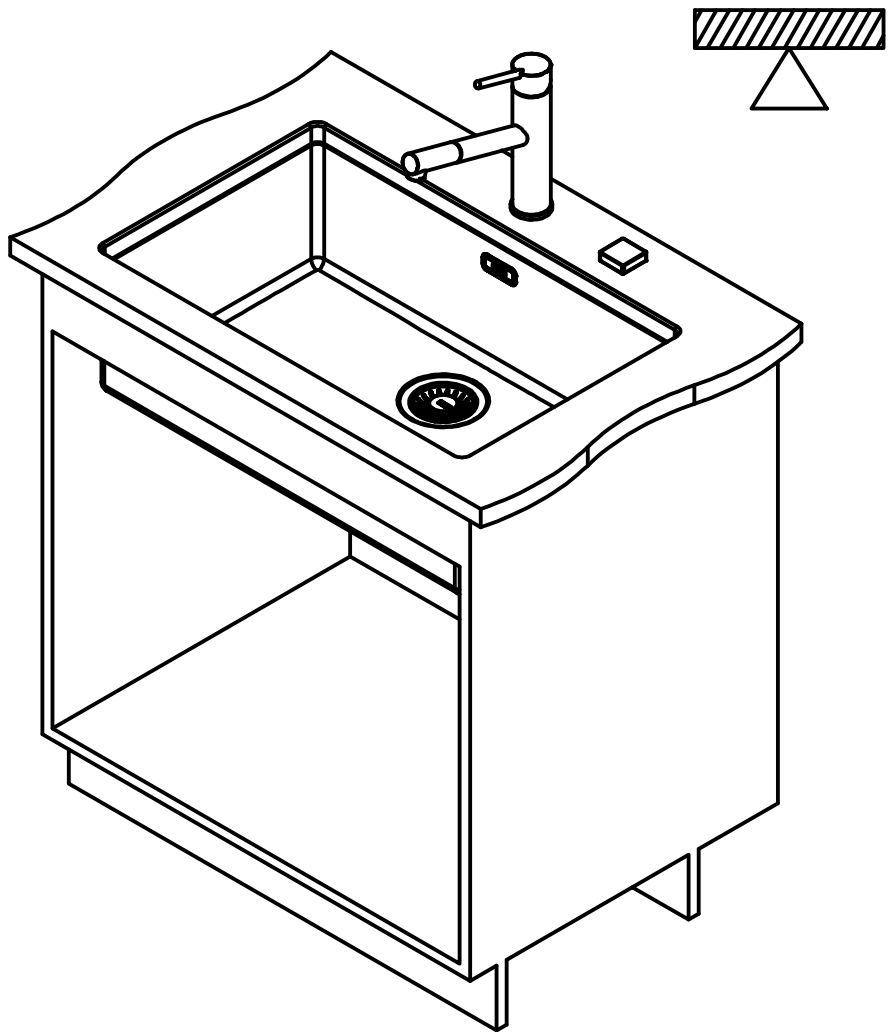
Drawing No.	20119887	Revision	-
Drawn Date	10.10.2017		
<small>These drawings and specifications are the property of Franke Technology and Trademark Ltd. and shall not be reproduced, copied or transferred to any third party without the prior written permission of Franke Technology and Trademark Ltd., Hergiswil, Switzerland</small>			

Franke Küchentechnik AG  
CH-4663 Aarburg  
Phone: +41 62 787 31 31  
Internet: www.franke.com

**BOX 210\_110 68**  
Installing document

Sheet	Sheets
<b>10</b>	<b>11</b>

ISO



Drawing No.	20119887	Revision	-
Drawn Date	10.10.2017		
<small>These drawings and specifications are the property of Franke Technology and Trademark Ltd. and shall not be reproduced, copied or transferred to any third party without the prior written permission of Franke Technology and Trademark Ltd., Hergiswil, Switzerland</small>			

Franke Küchentechnik AG  
CH-4663 Aarburg  
Phone: +41 62 787 31 31  
Internet: www.franke.com

**BOX 210\_110 68**  
Installing document

Sheet	Sheets
11	11