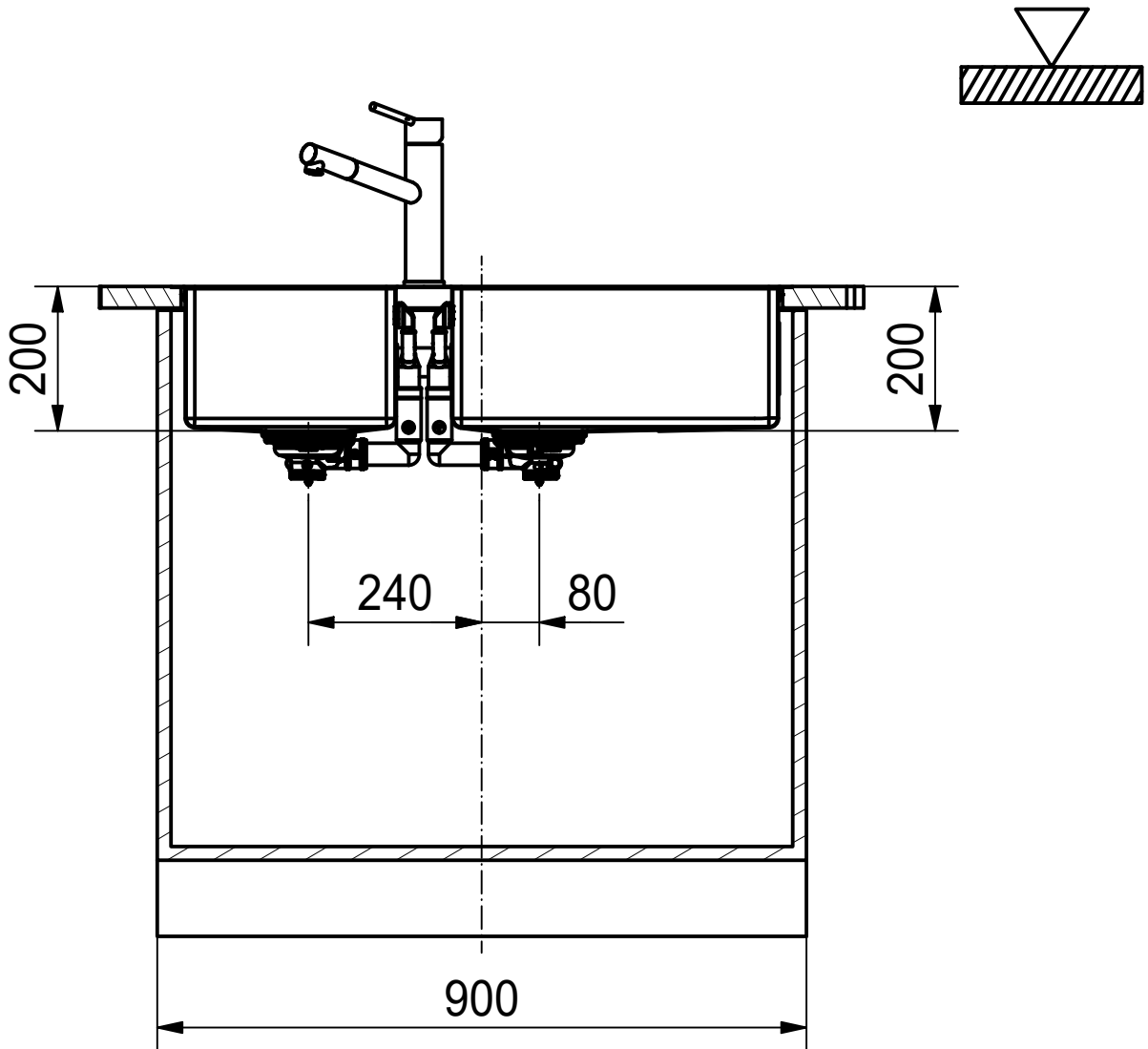


DF



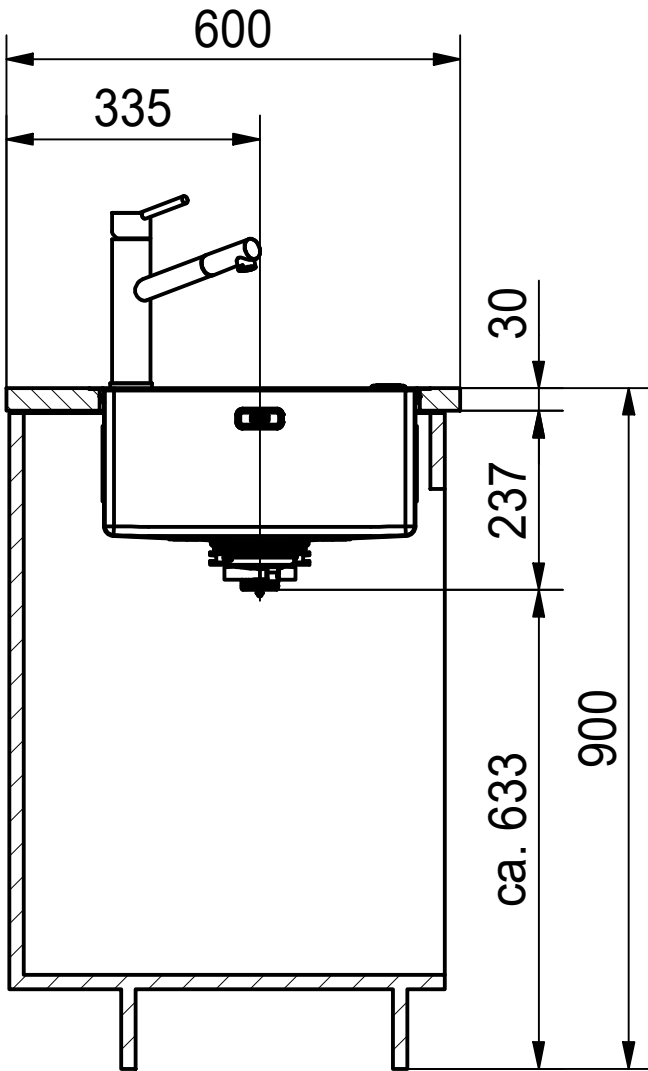
Drawing No.	20119908	Revision	A
Drawn Date	09.01.2018		
<small>These drawings and specifications are the property of Franke Technology and Trademark Ltd. and shall not be reproduced, copied or transferred to any third party without the prior written permission of Franke Technology and Trademark Ltd., Hergiswil, Switzerland</small>			



OYX 220\_120 45 29 SI  
Installing document

Sheet	Sheets
1	11

DS



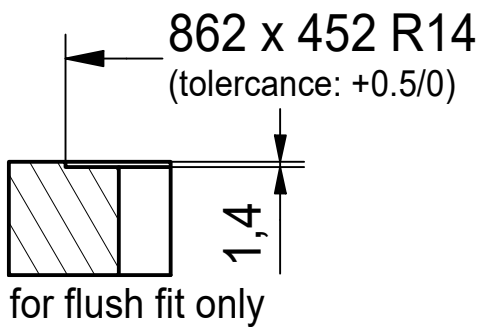
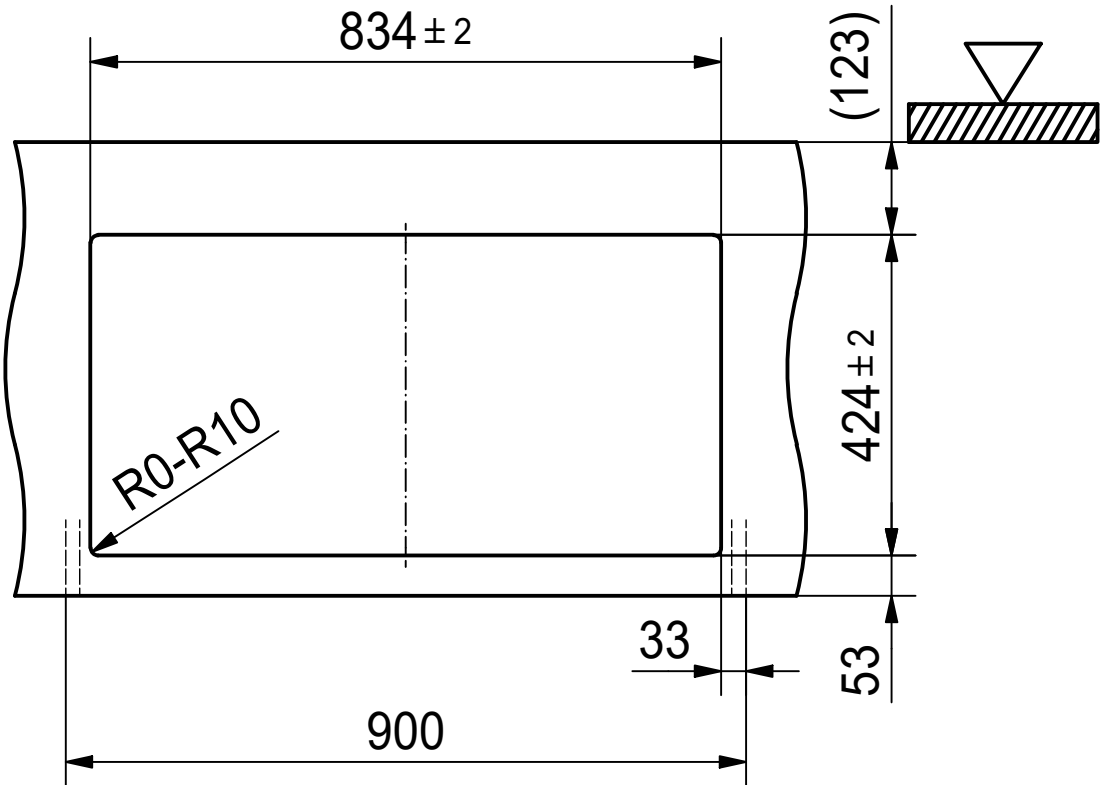
Drawing No.	20119908	Revision	A
Drawn Date	09.01.2018		
<small>These drawings and specifications are the property of Franke Technology and Trademark Ltd. and shall not be reproduced, copied or transferred to any third party without the prior written permission of Franke Technology and Trademark Ltd., Hergiswil, Switzerland</small>			



OYX 220\_120 45 29 SI  
Installing document

Sheet	Sheets
2	11

CO



Drawing No.	20119908	Revision	A
Drawn Date	09.01.2018		
<small>These drawings and specifications are the property of Franke Technology and Trademark Ltd. and shall not be reproduced, copied or transferred to any third party without the prior written permission of Franke Technology and Trademark Ltd., Hergiswil, Switzerland</small>			



OYX 220\_120 45 29 SI  
Installing document

Sheet	Sheets
3	11

CNC



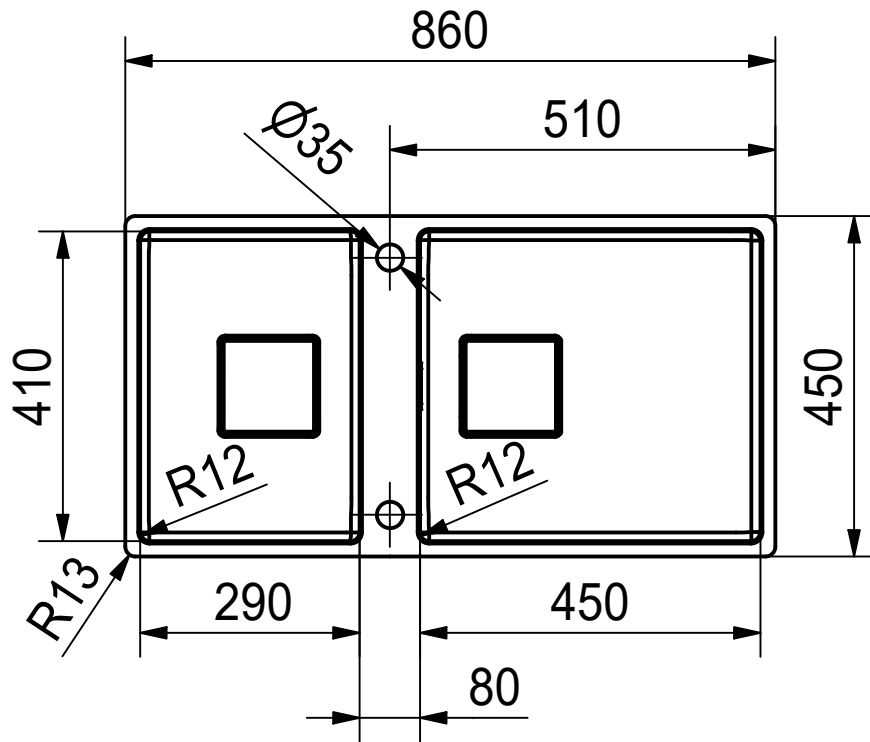
Drawing No.	20119908	Revision	A
Drawn Date	09.01.2018		
<small>These drawings and specifications are the property of Franke Technology and Trademark Ltd. and shall not be reproduced, copied or transferred to any third party without the prior written permission of Franke Technology and Trademark Ltd., Hergiswil, Switzerland</small>			



OYX 220\_120 45 29 SI  
Installing document

Sheet	Sheets
4	11

DT



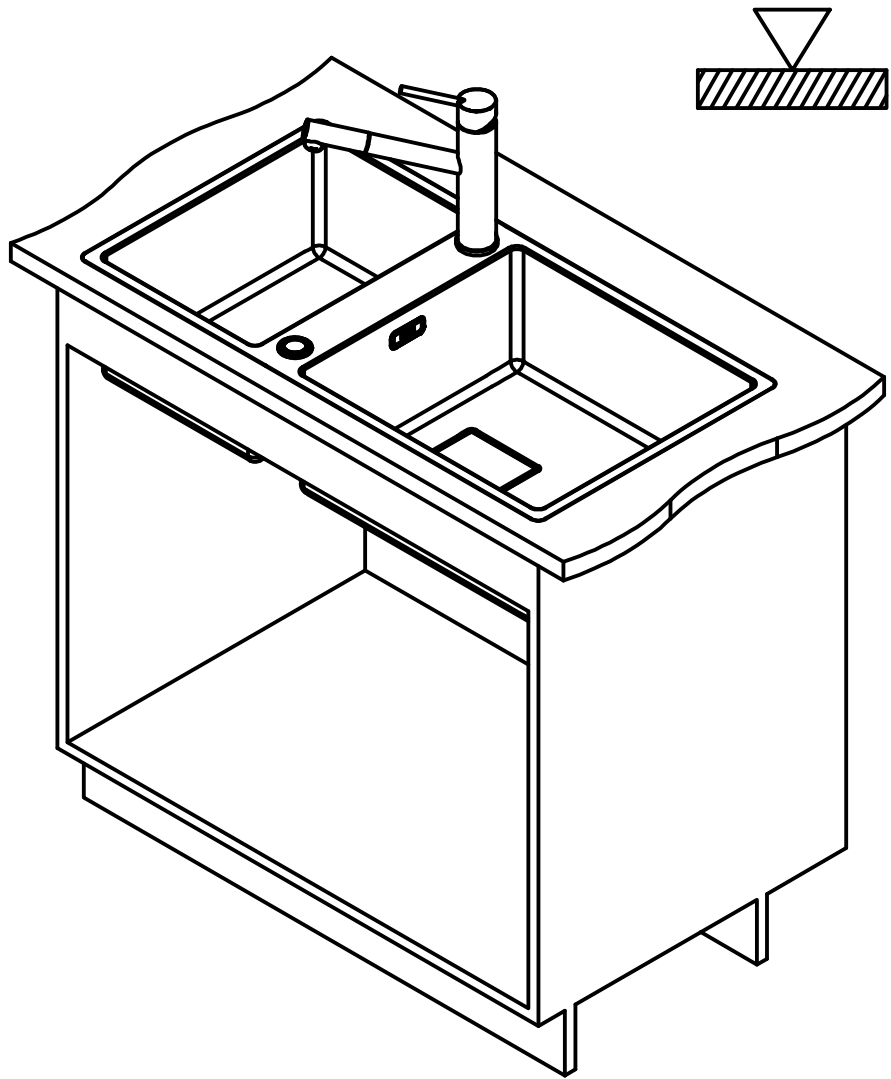
Drawing No.	20119908	Revision	A
Drawn Date	09.01.2018		
<small>These drawings and specifications are the property of Franke Technology and Trademark Ltd. and shall not be reproduced, copied or transferred to any third party without the prior written permission of Franke Technology and Trademark Ltd., Hergiswil, Switzerland</small>			



OYX 220\_120 45 29 SI  
Installing document

Sheet	Sheets
5	11

ISO



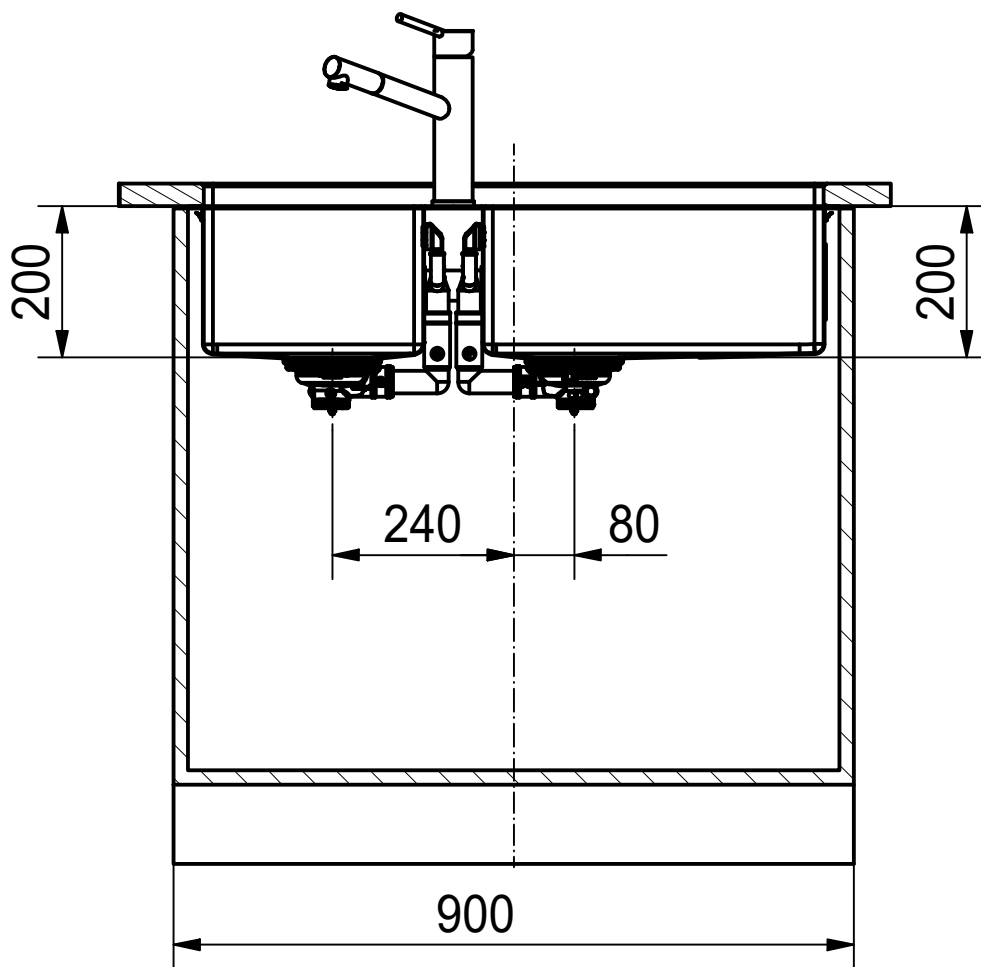
Drawing No.	20119908	Revision	A
Drawn Date	09.01.2018		
<small>These drawings and specifications are the property of Franke Technology and Trademark Ltd. and shall not be reproduced, copied or transferred to any third party without the prior written permission of Franke Technology and Trademark Ltd., Hergiswil, Switzerland</small>			



OYX 220\_120 45 29 SI  
Installing document

Sheet	Sheets
6	11

DF



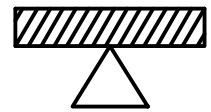
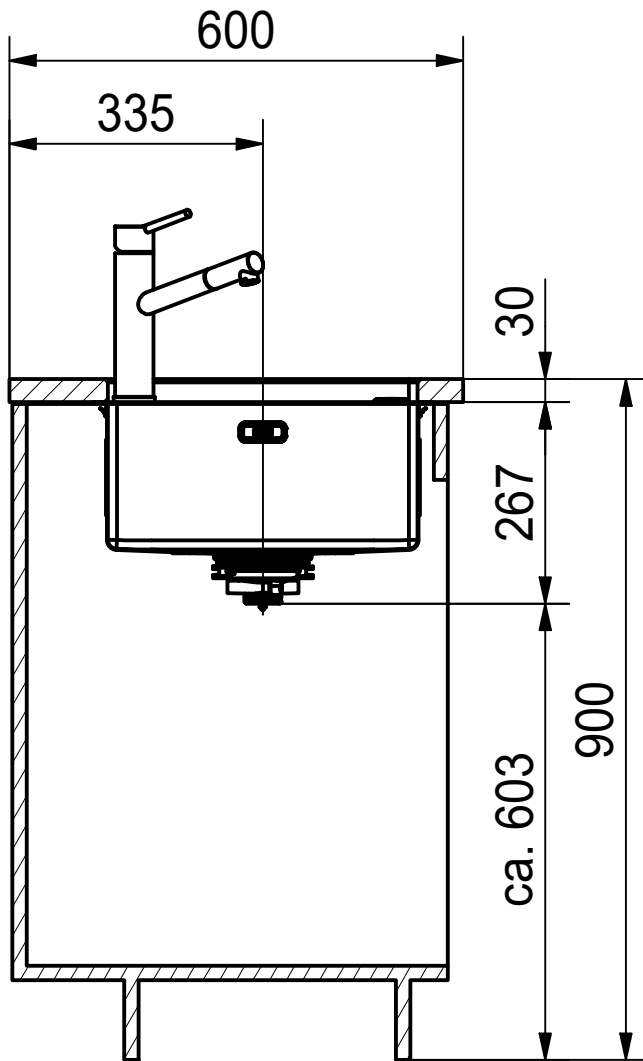
Drawing No.	20119908	Revision	A
Drawn Date	09.01.2018		
<small>These drawings and specifications are the property of Franke Technology and Trademark Ltd. and shall not be reproduced, copied or transferred to any third party without the prior written permission of Franke Technology and Trademark Ltd., Hergiswil, Switzerland</small>			



OYX 220\_120 45 29 SI  
Installing document

Sheet	Sheets
7	11

DS



Drawing No.	20119908	Revision	A
Drawn Date	09.01.2018		
<small>These drawings and specifications are the property of Franke Technology and Trademark Ltd. and shall not be reproduced, copied or transferred to any third party without the prior written permission of Franke Technology and Trademark Ltd., Hergiswil, Switzerland</small>			

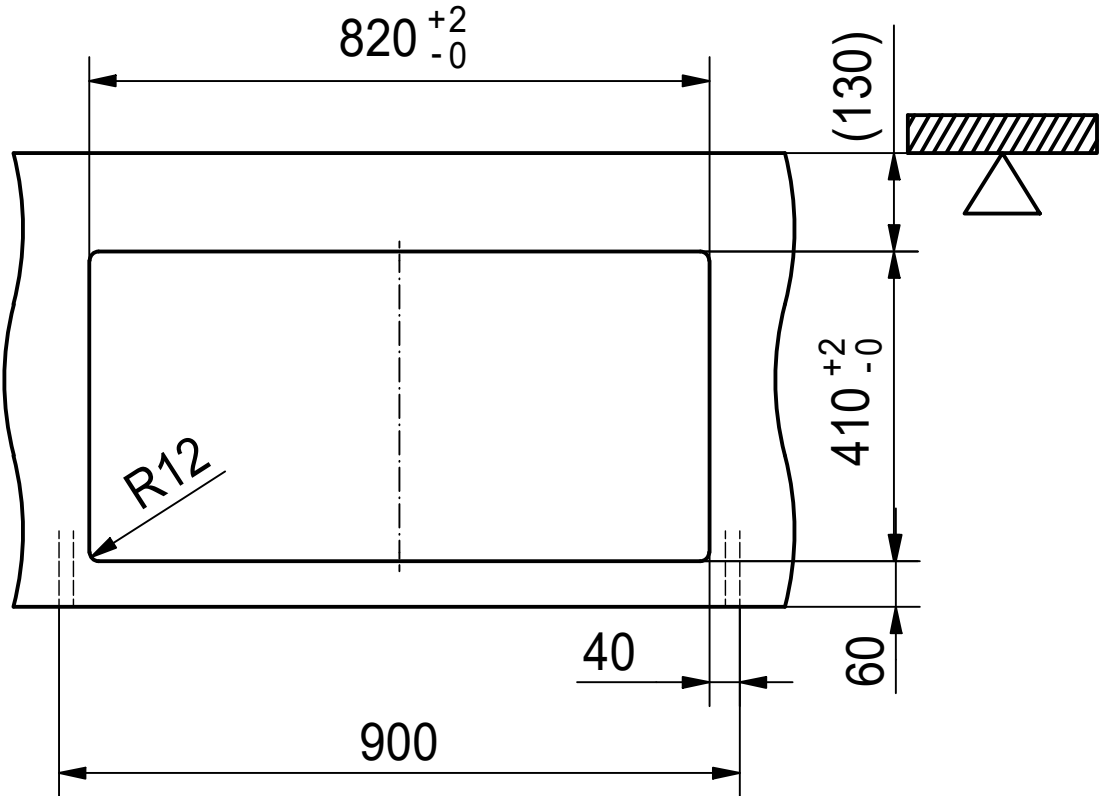


OYX 220\_120 45 29 SI  
Installing document

Sheet	Sheets
8	11



CO



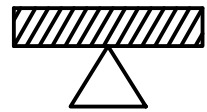
Drawing No.	20119908	Revision	A
Drawn Date	09.01.2018		
<small>These drawings and specifications are the property of Franke Technology and Trademark Ltd. and shall not be reproduced, copied or transferred to any third party without the prior written permission of Franke Technology and Trademark Ltd., Hergiswil, Switzerland</small>			



OYX 220\_120 45 29 SI  
Installing document

Sheet	Sheets
9	11

**CNC**



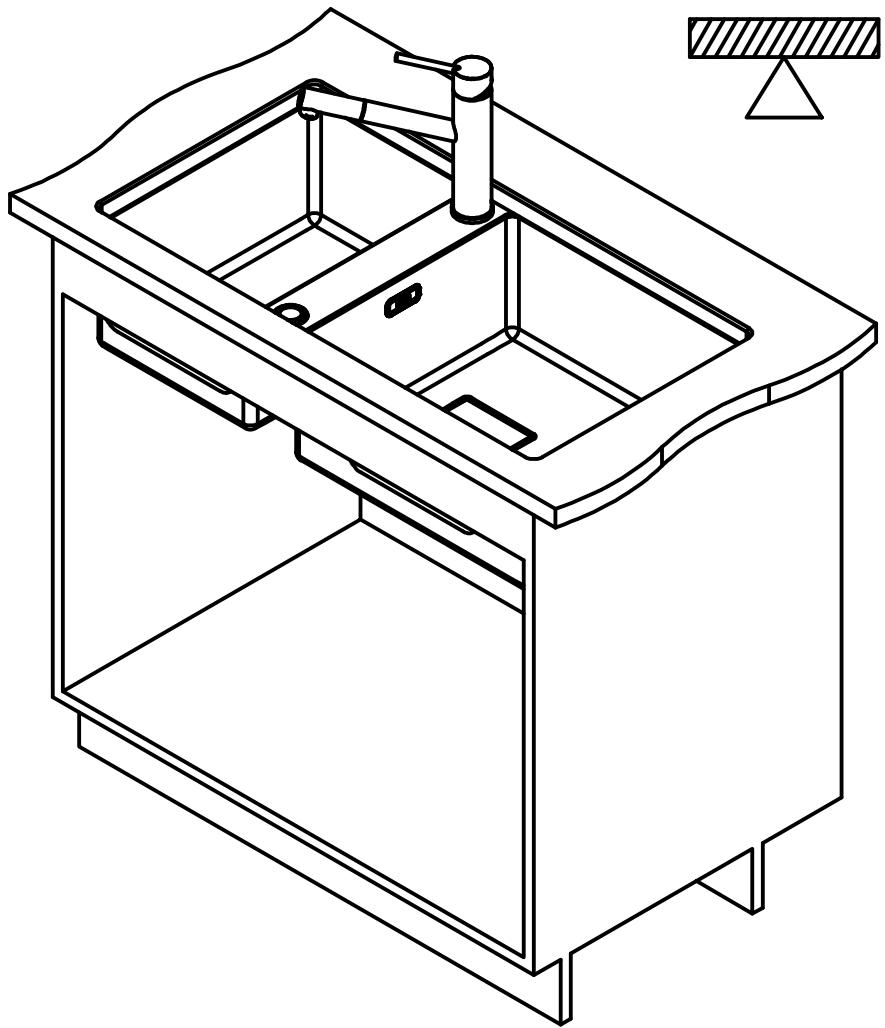
Drawing No.	20119908	Revision	A
Drawn Date	09.01.2018		
<small>These drawings and specifications are the property of Franke Technology and Trademark Ltd. and shall not be reproduced, copied or transferred to any third party without the prior written permission of Franke Technology and Trademark Ltd., Hergiswil, Switzerland</small>			



OYX 220\_120 45 29 SI  
Installing document

Sheet	Sheets
10	11

ISO



Drawing No.	20119908	Revision	A
Drawn Date	09.01.2018		
<small>These drawings and specifications are the property of Franke Technology and Trademark Ltd. and shall not be reproduced, copied or transferred to any third party without the prior written permission of Franke Technology and Trademark Ltd., Hergiswil, Switzerland</small>			



OYX 220\_120 45 29 SI  
Installing document

Sheet	Sheets
11	11