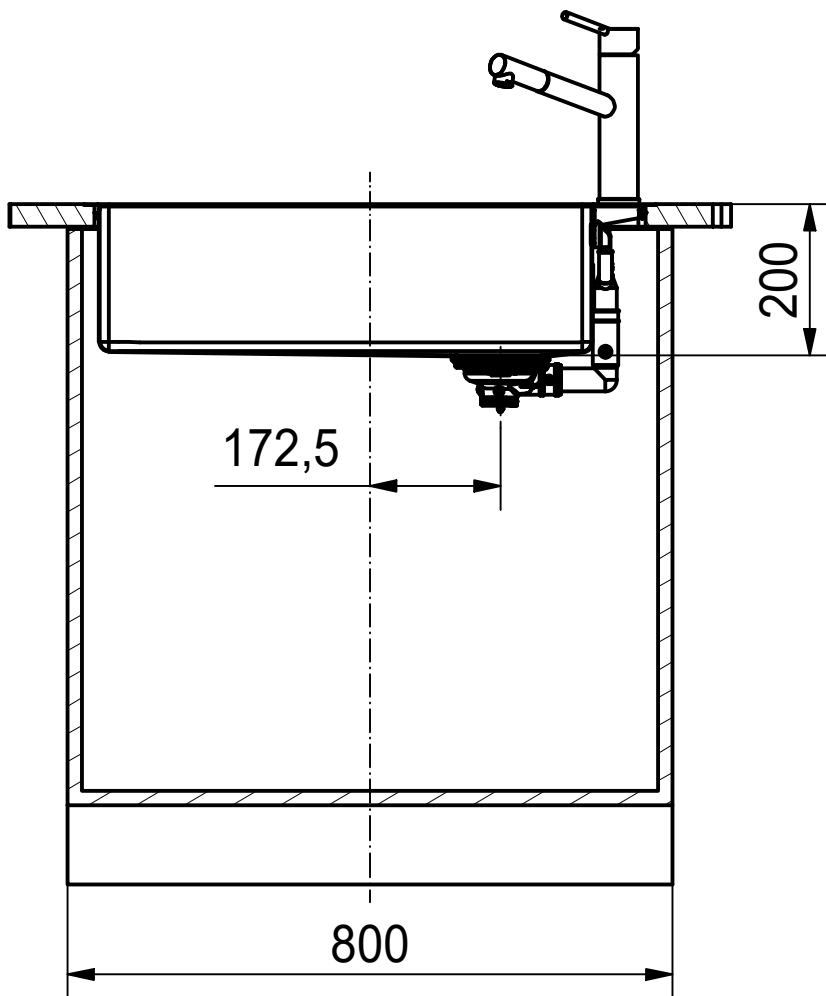


DF



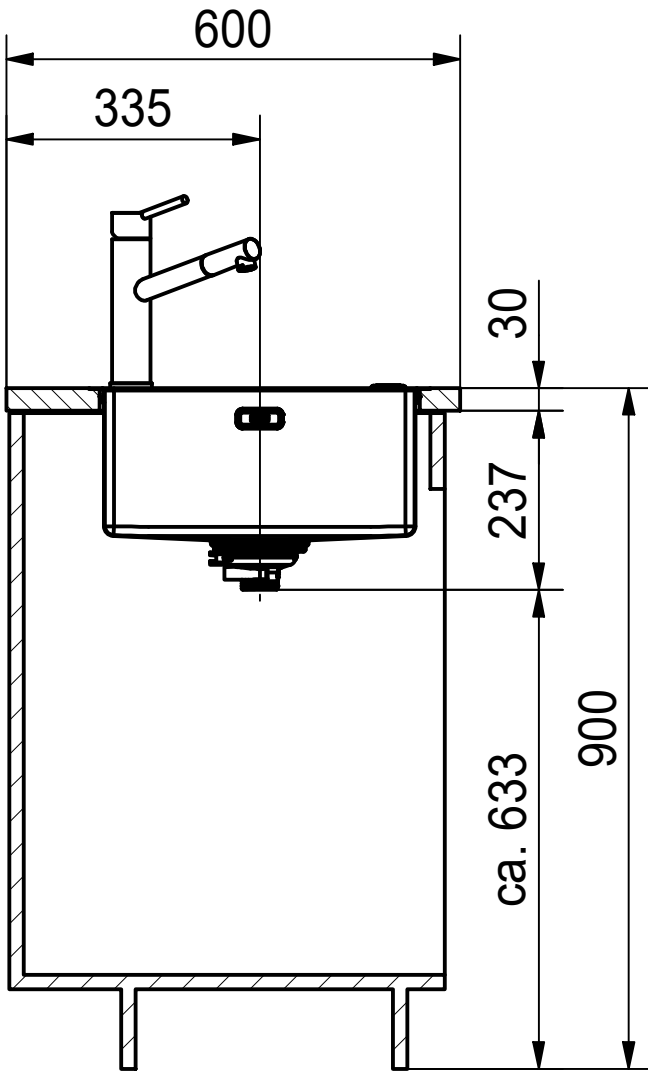
Drawing No.	20119902	Revision	A
Drawn Date	09.01.2018		
<small>These drawings and specifications are the property of Franke Technology and Trademark Ltd. and shall not be reproduced, copied or transferred to any third party without the prior written permission of Franke Technology and Trademark Ltd., Hergiswil, Switzerland</small>			



OYX 210\_110 65 TL SI  
Installing document

Sheet	Sheets
1	11

DS



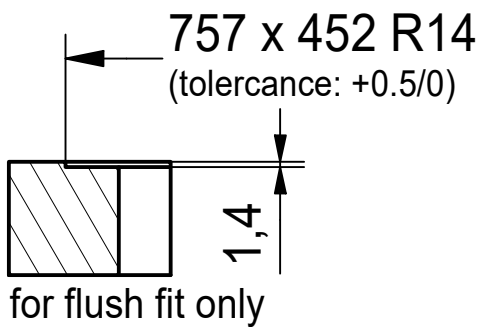
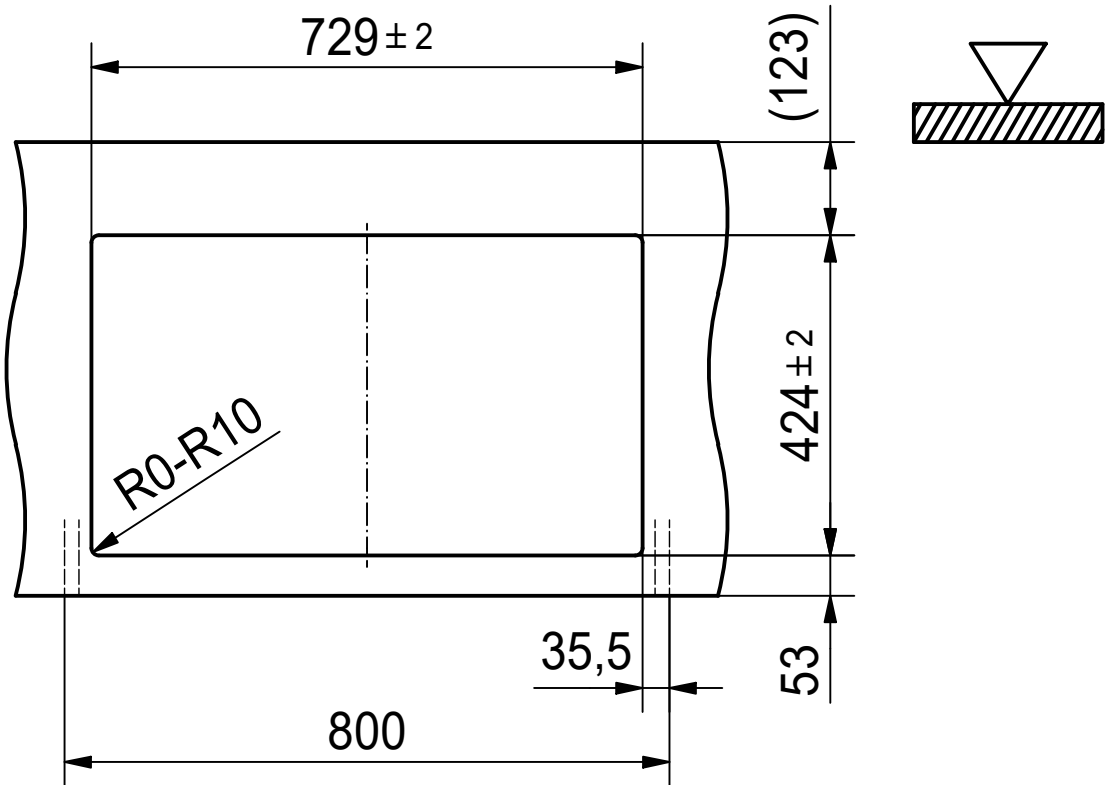
Drawing No.	20119902	Revision	A
Drawn Date	09.01.2018		
<small>These drawings and specifications are the property of Franke Technology and Trademark Ltd. and shall not be reproduced, copied or transferred to any third party without the prior written permission of Franke Technology and Trademark Ltd., Hergiswil, Switzerland</small>			



OYX 210\_110 65 TL SI  
Installing document

Sheet	Sheets
2	11

CO



Drawing No.	20119902	Revision	A
Drawn Date	09.01.2018		
<small>These drawings and specifications are the property of Franke Technology and Trademark Ltd. and shall not be reproduced, copied or transferred to any third party without the prior written permission of Franke Technology and Trademark Ltd., Hergiswil, Switzerland</small>			



OYX 210\_110 65 TL SI  
Installing document

Sheet	Sheets
3	11

**CNC**



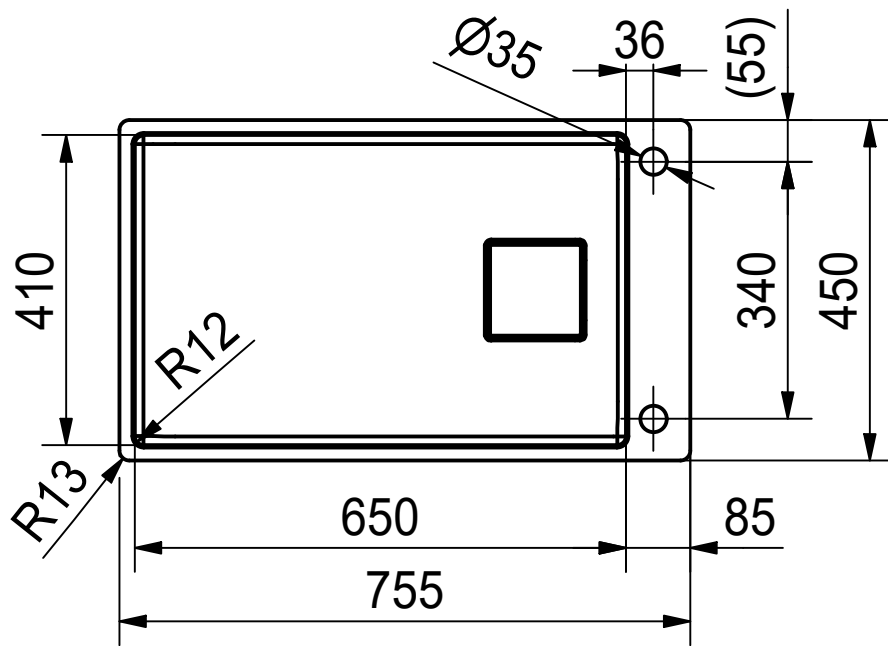
Drawing No.	20119902	Revision	A
Drawn Date	09.01.2018		
<small>These drawings and specifications are the property of Franke Technology and Trademark Ltd. and shall not be reproduced, copied or transferred to any third party without the prior written permission of Franke Technology and Trademark Ltd., Hergiswil, Switzerland</small>			



**OYX 210\_110 65 TL SI**  
Installing document

Sheet	Sheets
<b>4</b>	<b>11</b>

DT



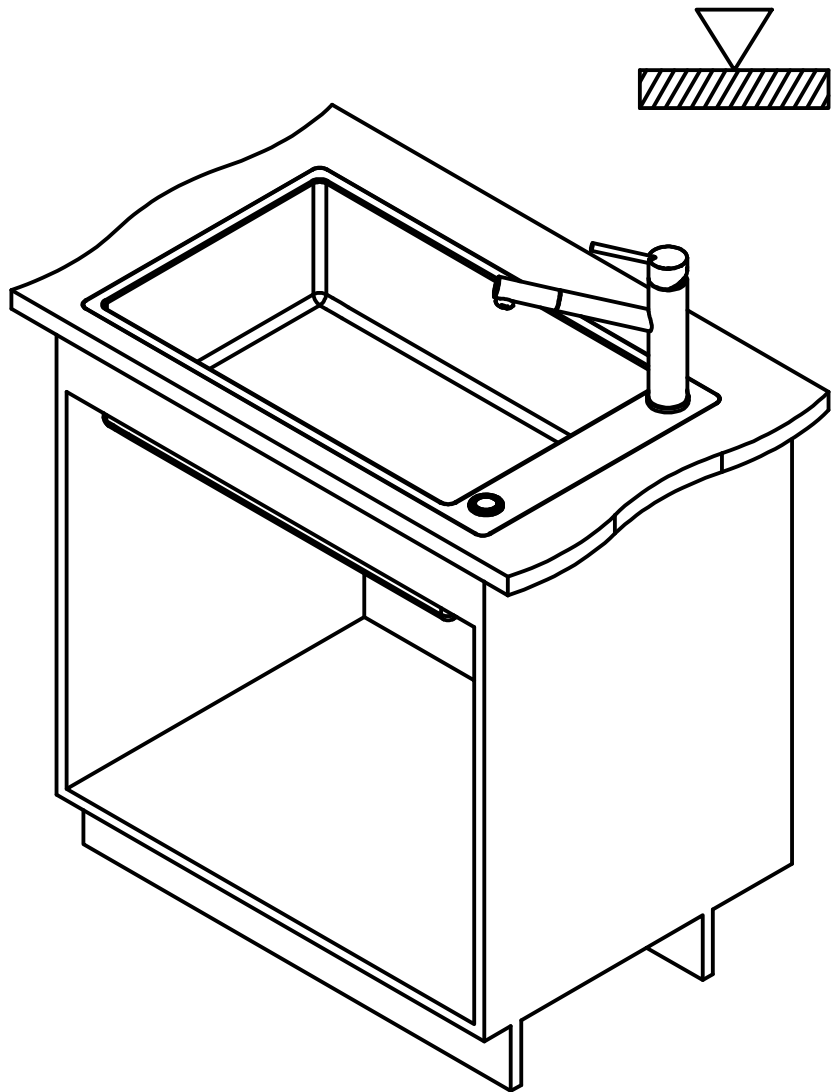
Drawing No.	20119902	Revision	A
Drawn Date	09.01.2018		
<small>These drawings and specifications are the property of Franke Technology and Trademark Ltd. and shall not be reproduced, copied or transferred to any third party without the prior written permission of Franke Technology and Trademark Ltd., Hergiswil, Switzerland</small>			



OYX 210\_110 65 TL SI  
Installing document

Sheet	Sheets
5	11

ISO



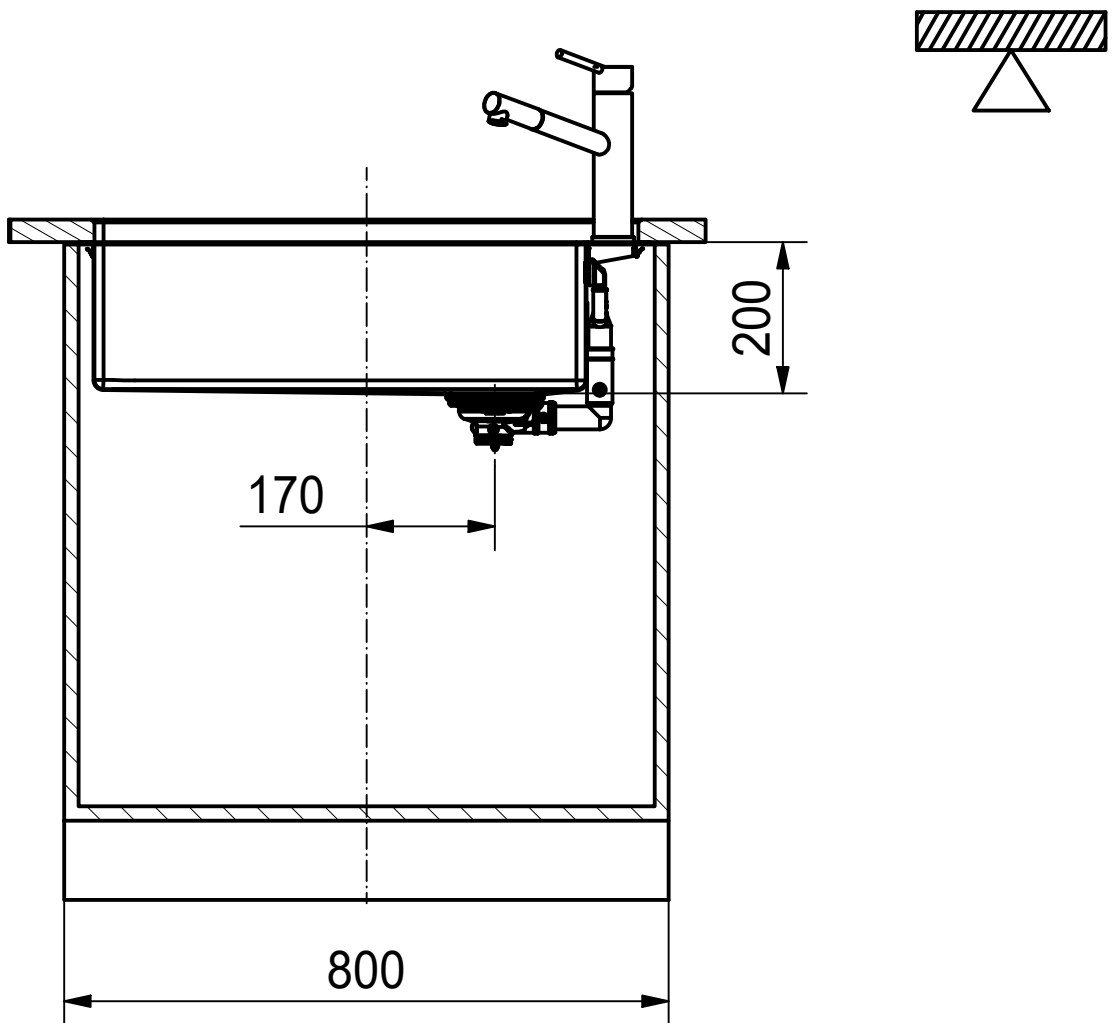
Drawing No.	20119902	Revision	A
Drawn Date	09.01.2018		
<small>These drawings and specifications are the property of Franke Technology and Trademark Ltd. and shall not be reproduced, copied or transferred to any third party without the prior written permission of Franke Technology and Trademark Ltd., Hergiswil, Switzerland</small>			



OYX 210\_110 65 TL SI  
Installing document

Sheet	Sheets
6	11

DF



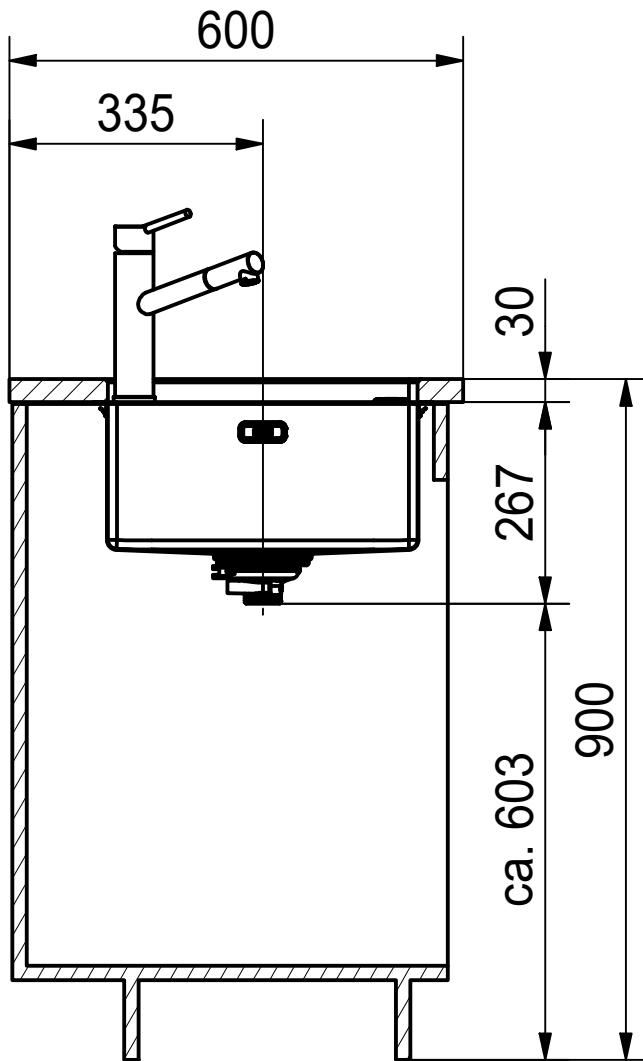
Drawing No.	20119902	Revision	A
Drawn Date	09.01.2018		
<small>These drawings and specifications are the property of Franke Technology and Trademark Ltd. and shall not be reproduced, copied or transferred to any third party without the prior written permission of Franke Technology and Trademark Ltd., Hergiswil, Switzerland</small>			



OYX 210\_110 65 TL SI  
Installing document

Sheet	Sheets
7	11

DS



Drawing No.	20119902	Revision	A
Drawn Date	09.01.2018		
<small>These drawings and specifications are the property of Franke Technology and Trademark Ltd. and shall not be reproduced, copied or transferred to any third party without the prior written permission of Franke Technology and Trademark Ltd., Hergiswil, Switzerland</small>			

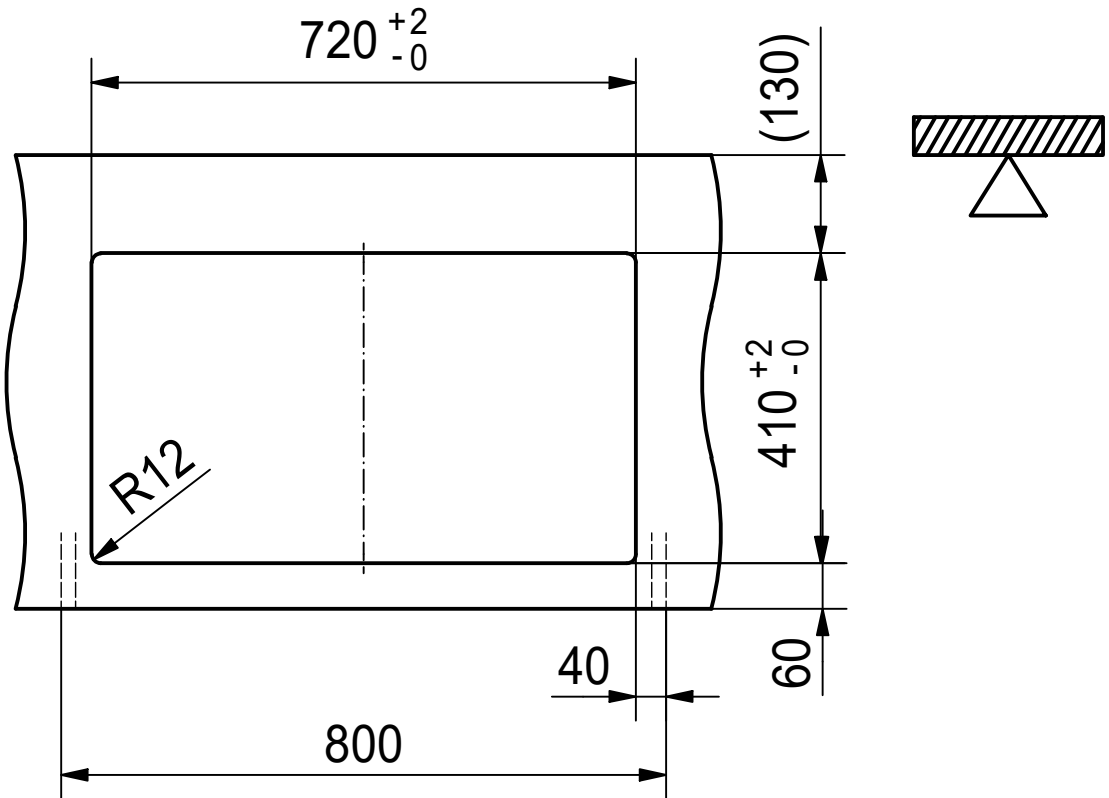


OYX 210\_110 65 TL SI  
Installing document

Sheet	Sheets
8	11



CO



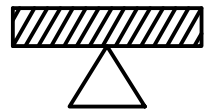
Drawing No.	20119902	Revision	A
Drawn Date	09.01.2018		
<small>These drawings and specifications are the property of Franke Technology and Trademark Ltd. and shall not be reproduced, copied or transferred to any third party without the prior written permission of Franke Technology and Trademark Ltd., Hergiswil, Switzerland</small>			



OYX 210\_110 65 TL SI  
Installing document

Sheet	Sheets
9	11

**CNC**



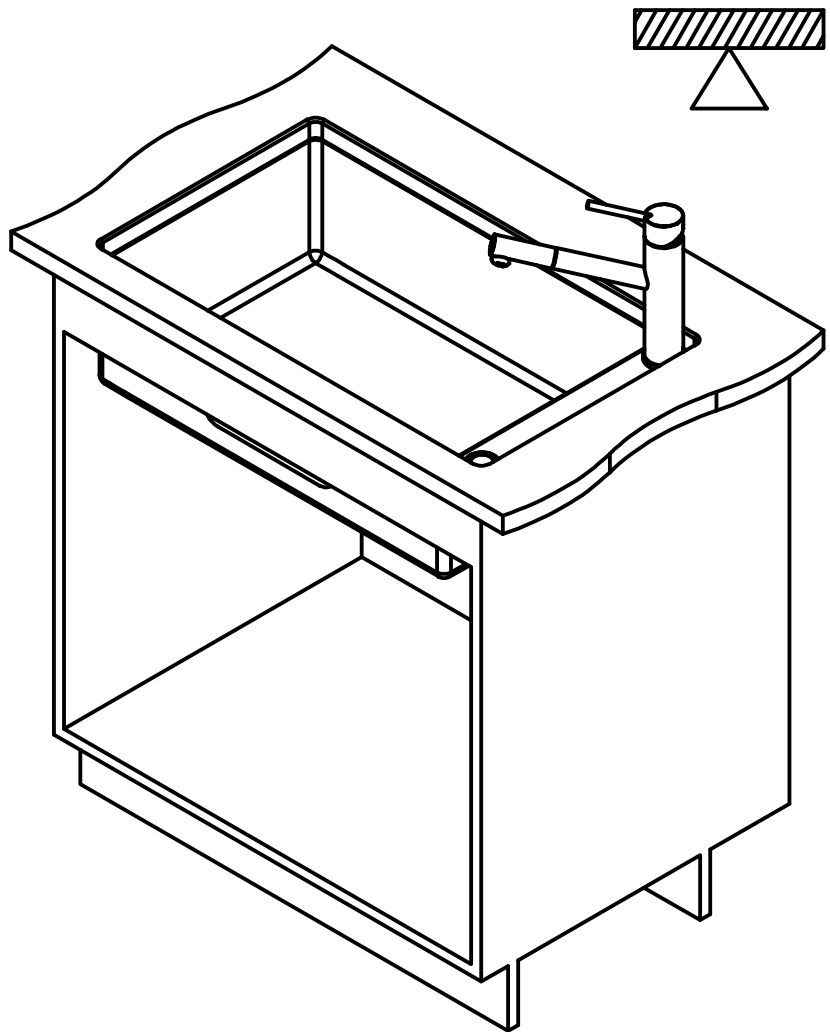
Drawing No.	20119902	Revision	A
Drawn Date	09.01.2018		
<small>These drawings and specifications are the property of Franke Technology and Trademark Ltd. and shall not be reproduced, copied or transferred to any third party without the prior written permission of Franke Technology and Trademark Ltd., Hergiswil, Switzerland</small>			



**OYX 210\_110 65 TL SI**  
Installing document

Sheet	Sheets
<b>10</b>	<b>11</b>

ISO



Drawing No.	20119902	Revision	A
Drawn Date	09.01.2018		
<small>These drawings and specifications are the property of Franke Technology and Trademark Ltd. and shall not be reproduced, copied or transferred to any third party without the prior written permission of Franke Technology and Trademark Ltd., Hergiswil, Switzerland</small>			



OYX 210\_110 65 TL SI  
Installing document

Sheet	Sheets
11	11