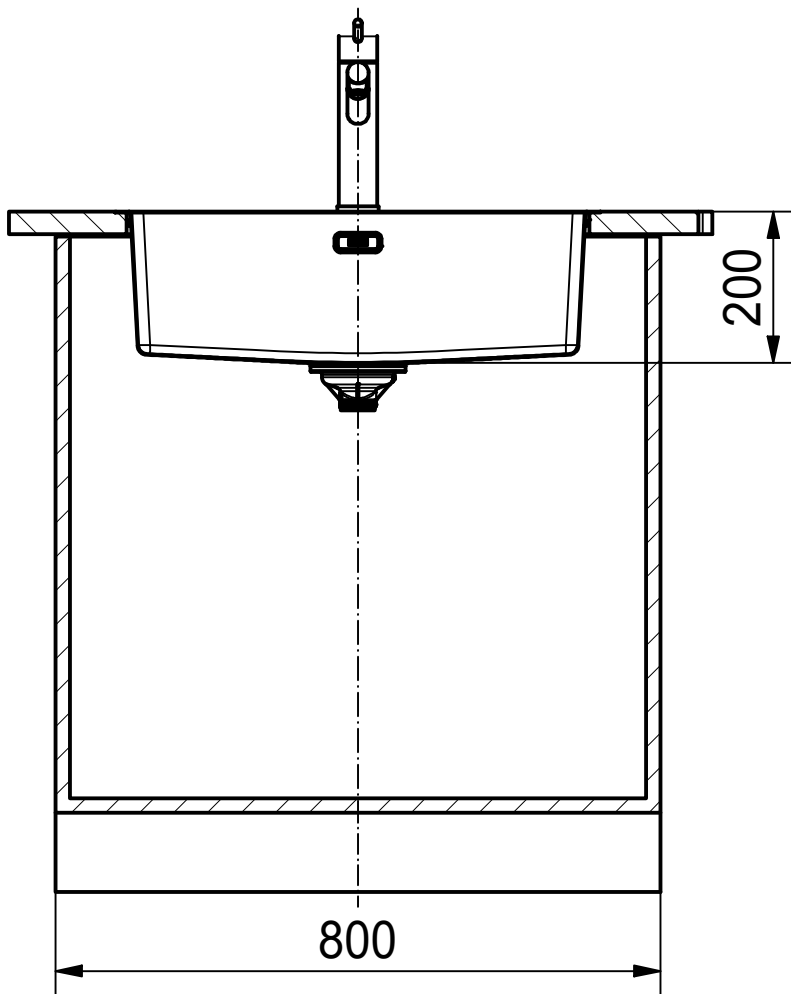


DF



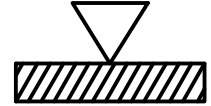
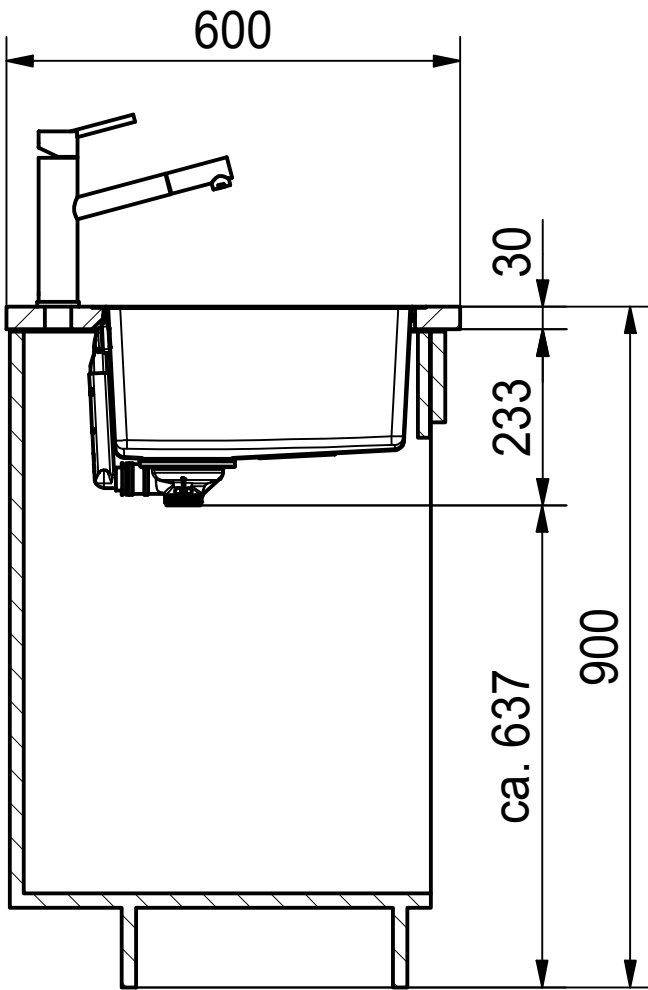
Drawing No.	20214989_02	Revision	A
Drawn Date	02.09.2021		
These drawings and specifications are the property of Franke Technology and Trademark Ltd., Hergiswil, Switzerland.			



FEX 210/110-60 SI
installing document

Sheet	Sheets
1	11

DS



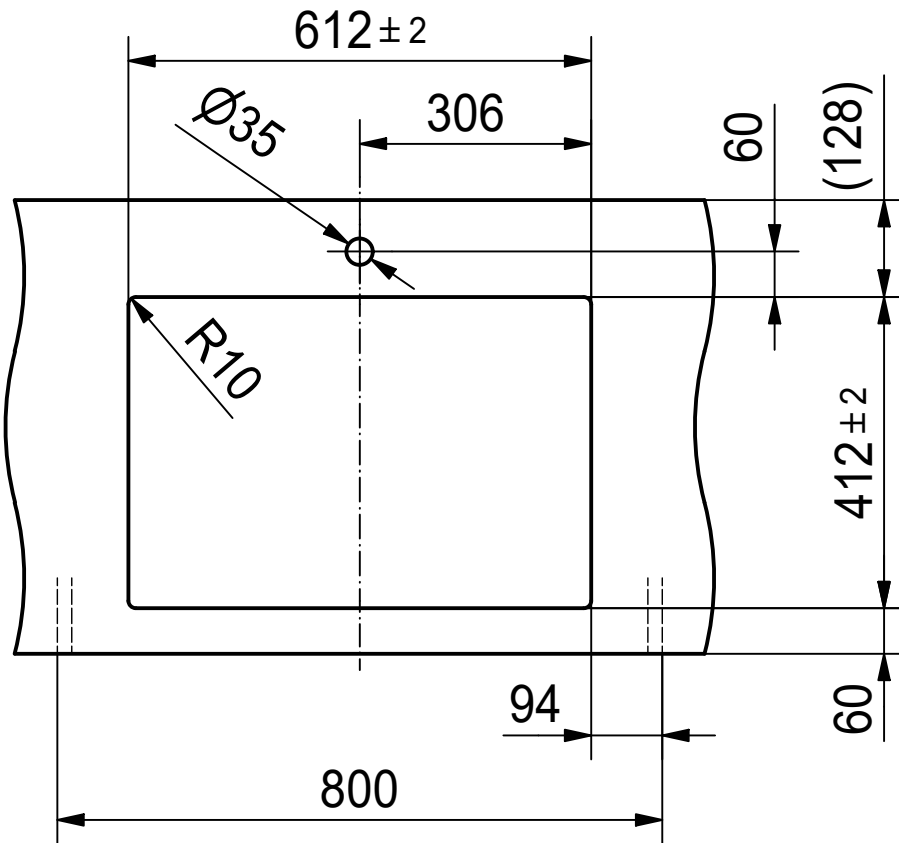
Drawing No.	20214989_02	Revision	A
Drawn Date	02.09.2021		
These drawings and specifications are the property of Franke Technology and Trademark Ltd., Hergiswil, Switzerland.			



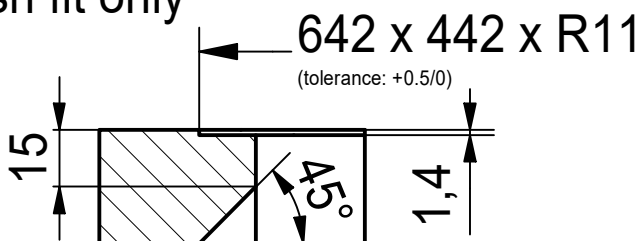
FEX 210/110-60 SI
installing document

Sheet	Sheets
2	11

CO



for flush fit only



Drawing No. 20214989_02 Revision A

Drawn Date 02.09.2021

These drawings and specifications are the property of Franke Technology and Trademark Ltd., Hergiswil, Switzerland.

FRANKE

FEX 210/110-60 SI
installing document

Sheet Sheets

3 11

CNC



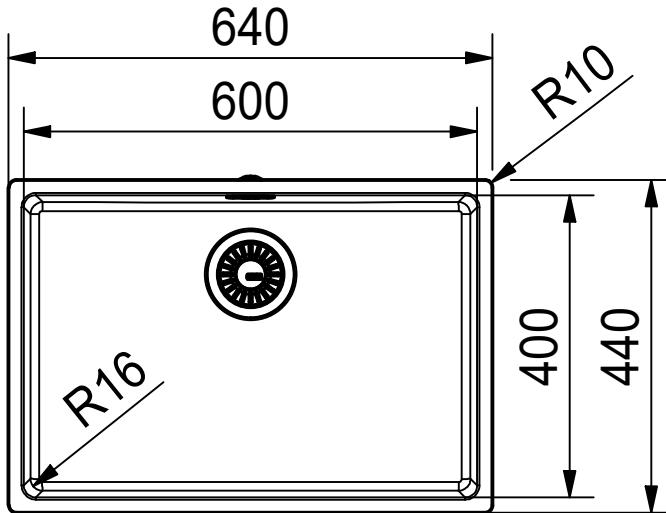
Drawing No.	20214989_02	Revision	A
Drawn Date	02.09.2021		
<small>These drawings and specifications are the property of Franke Technology and Trademark Ltd., Hergiswil, Switzerland.</small>			



FEX 210/110-60 SI
installing document

Sheet	Sheets
4	11

DT



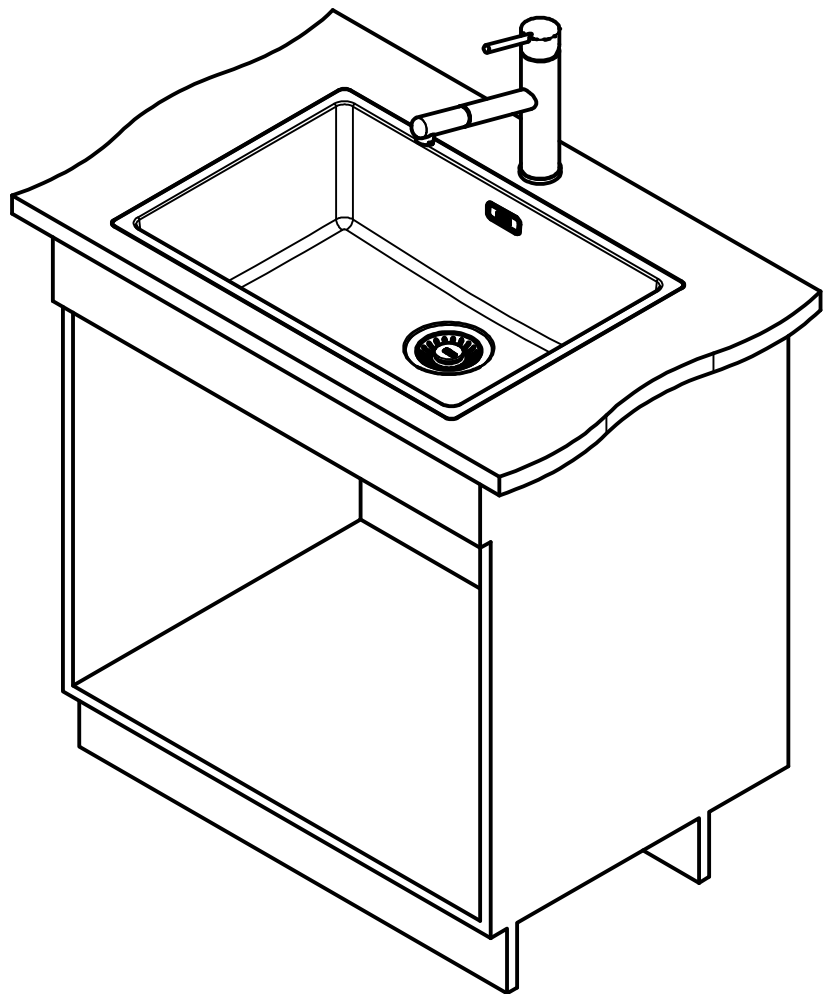
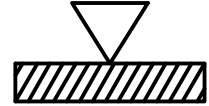
Drawing No.	20214989_02	Revision	A
Drawn Date	02.09.2021		
These drawings and specifications are the property of Franke Technology and Trademark Ltd., Hergiswil, Switzerland.			



FEX 210/110-60 SI
installing document

Sheet	Sheets
5	11

ISO



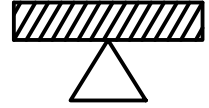
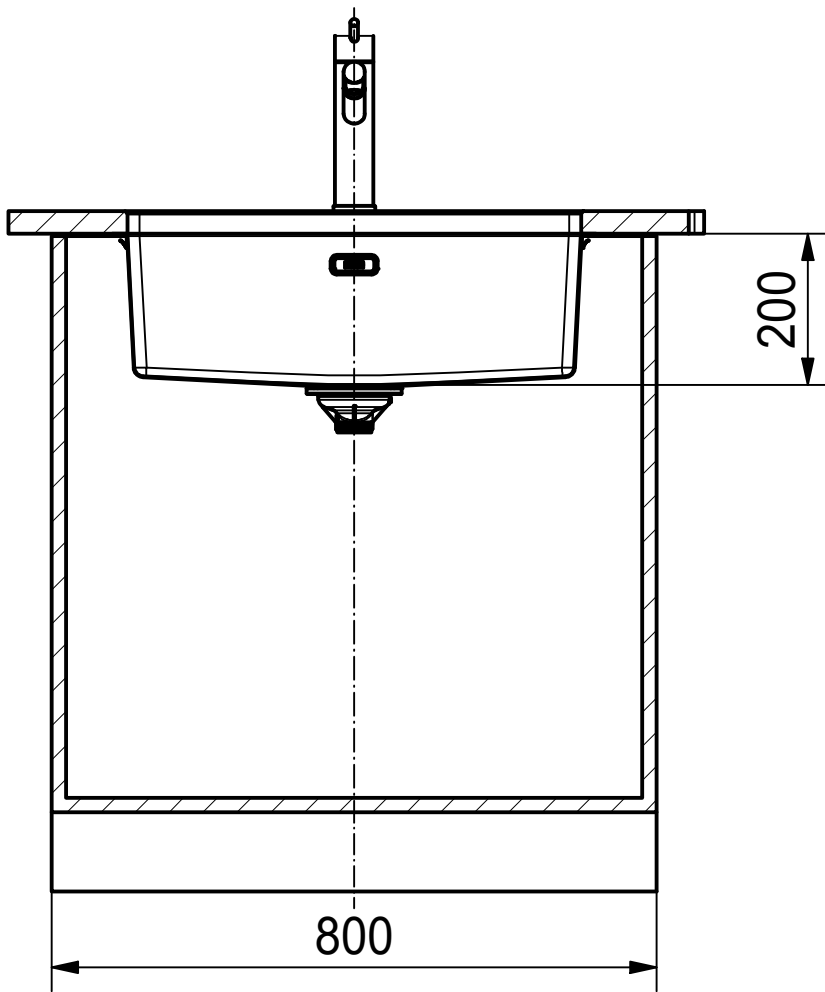
Drawing No.	20214989_02	Revision	A
Drawn Date	02.09.2021		
<small>These drawings and specifications are the property of Franke Technology and Trademark Ltd., Hergiswil, Switzerland.</small>			



FEX 210/110-60 SI
installing document

Sheet	Sheets
6	11

DF



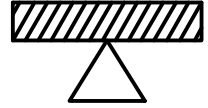
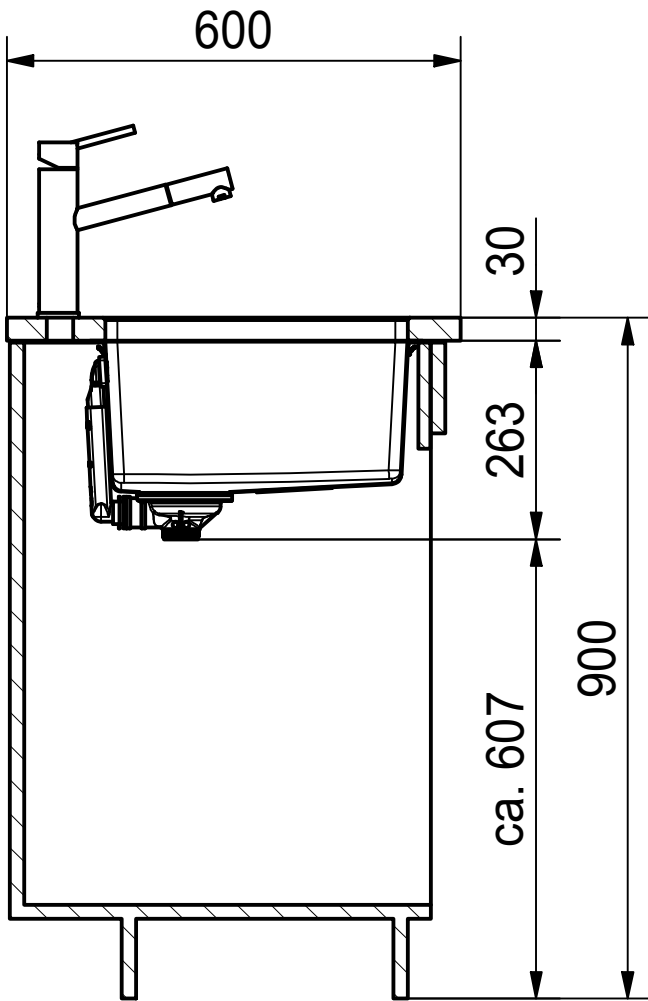
Drawing No.	20214989_02	Revision	A
Drawn Date	02.09.2021		
These drawings and specifications are the property of Franke Technology and Trademark Ltd., Hergiswil, Switzerland.			



FEX 210/110-60 SI
installing document

Sheet	Sheets
7	11

DS



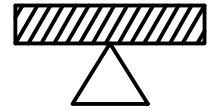
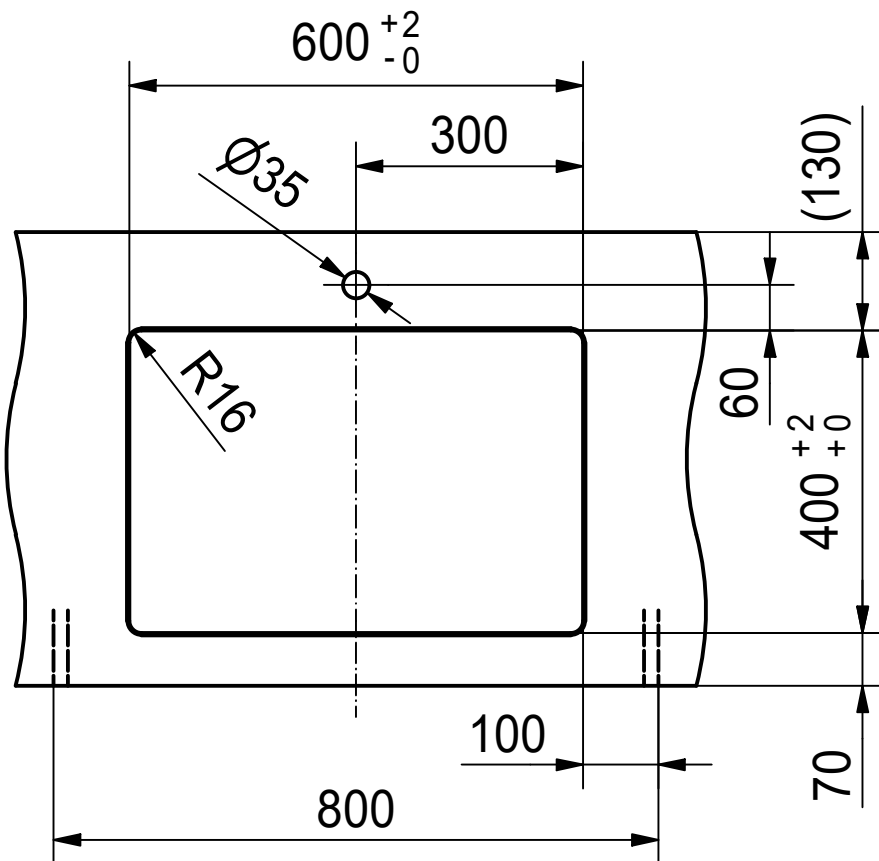
Drawing No.	20214989_02	Revision	A
Drawn Date	02.09.2021		
These drawings and specifications are the property of Franke Technology and Trademark Ltd., Hergiswil, Switzerland.			



FEX 210/110-60 SI
installing document

Sheet	Sheets
8	11

CO



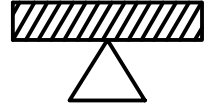
Drawing No.	20214989_02	Revision	A
Drawn Date	02.09.2021		
These drawings and specifications are the property of Franke Technology and Trademark Ltd., Hergiswil, Switzerland.			



FEX 210/110-60 SI
installing document

Sheet	Sheets
9	11

CNC



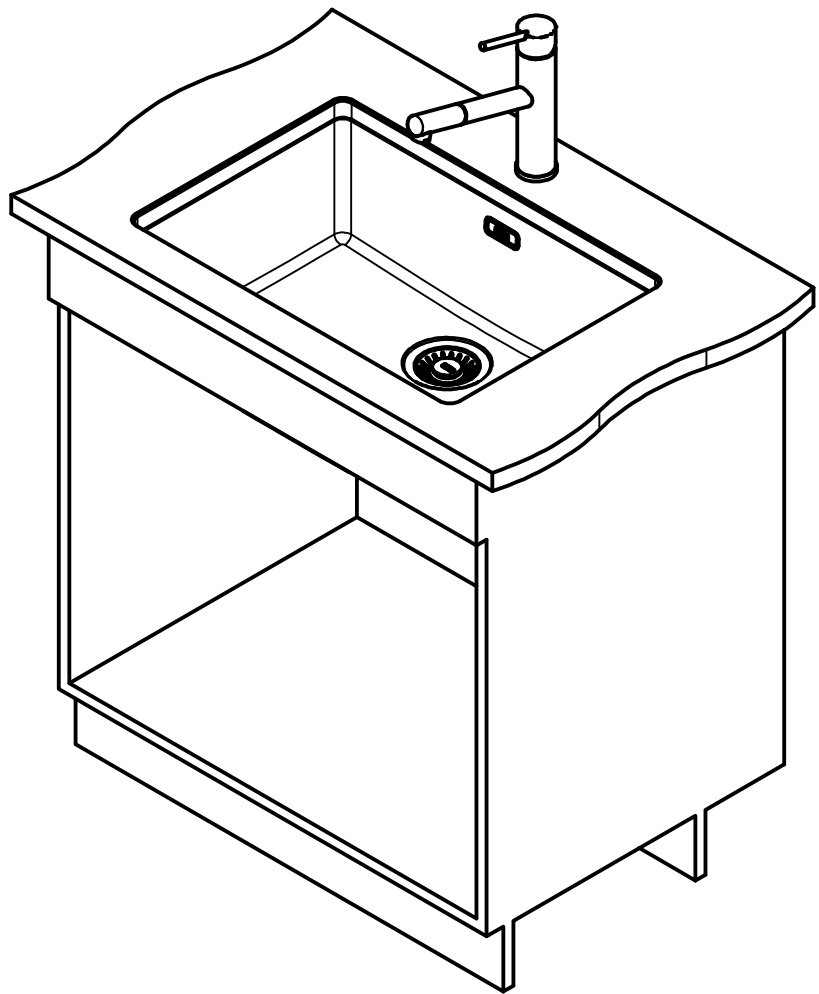
Drawing No.	20214989_02	Revision	A
Drawn Date	02.09.2021		
These drawings and specifications are the property of Franke Technology and Trademark Ltd., Hergiswil, Switzerland.			



FEX 210/110-60 SI
installing document

Sheet	Sheets
10	11

ISO



Drawing No.	20214989_02	Revision	A
Drawn Date	02.09.2021		
These drawings and specifications are the property of Franke Technology and Trademark Ltd., Hergiswil, Switzerland.			



FEX 210/110-60 SI
installing document

Sheet	Sheets
11	11