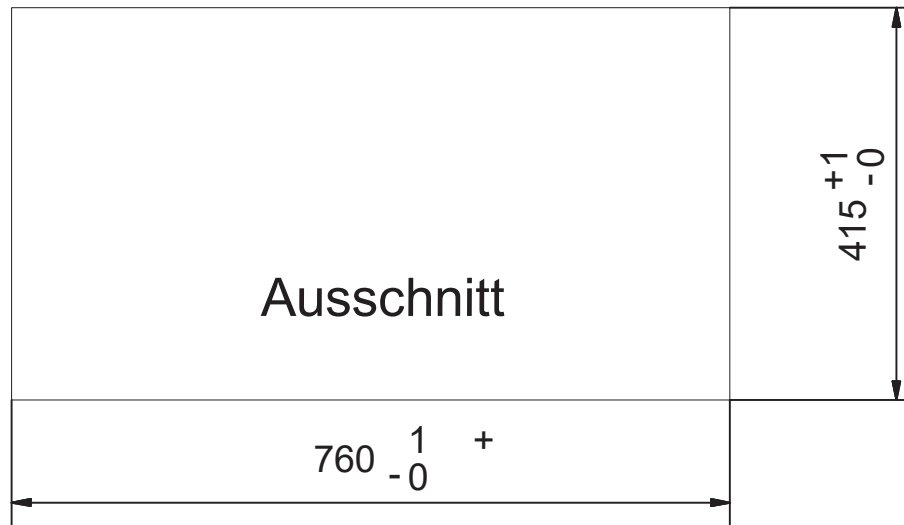
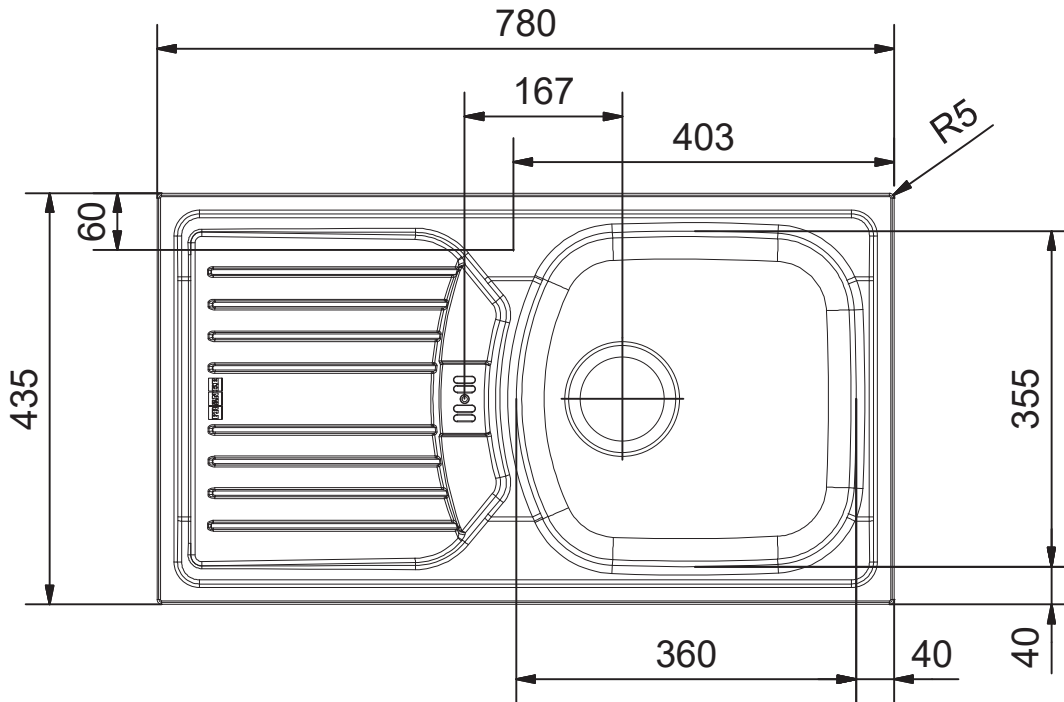


REVISION HISTORY					
Rev.	Vers.	Change No.	Reason for Change	Created On	Checked by



Konstruktionszeichnung 0002-110801

ETN 614 -Nova	101.0594.303	991.0594.700			X	PW	6+/- 0.3
ETL 614 -Nova	101.0288.041				X	PW	6+/- 0.3
ETN 614-Nova	101.0288.027				X	PW	6+/- 0.3
Typ	Art.-Nr.	Art.-Nr. Rahmen	BLB	ELB	Signet	Mod.	Rahmentiefe Beckenbereich
Drawn FN992	Modified 01.01.1970 FN992	Checked 01.01.1970 HY003	26.08.2019	Material DIN 1.4301	Thickness 0.5	Weight 2.192 kg	Remark
Unit mm	Scale NTS	Tolerance ISO 2768-mK		Description <b>ET 614-Nova</b> Strichzeichnung			
		Replaced through		Franke Technology and Trademark Ltd. Sonnenbergstrasse 9 CH-6052 Hergiswil Switzerland			
		Replacement for					
		Originate from					
		ECN	500000003311				
Article Number			Document ID - Version	Revision	Status	Sheet / Sheets	Format
			20164786-01	-	80	1 / 1	A4

These drawings and specifications are the property of Franke Technology and Trademark Ltd. and shall not be reproduced, copied or transferred to any third party without the prior written permission of Franke Technology and Trademark Ltd., Hergiswil, Switzerland