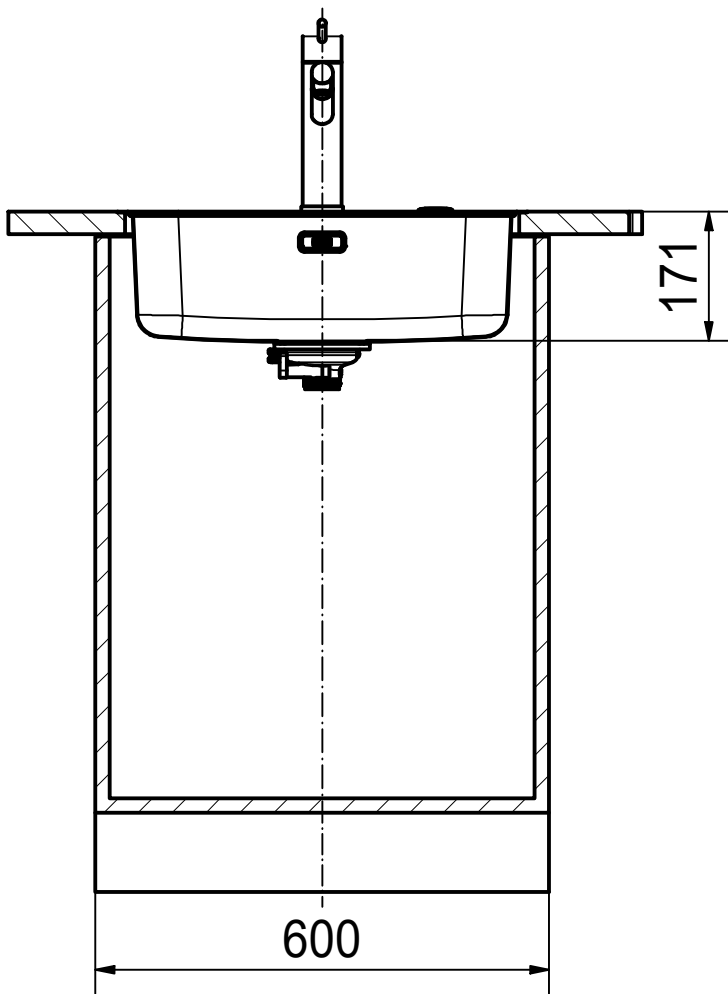


DF



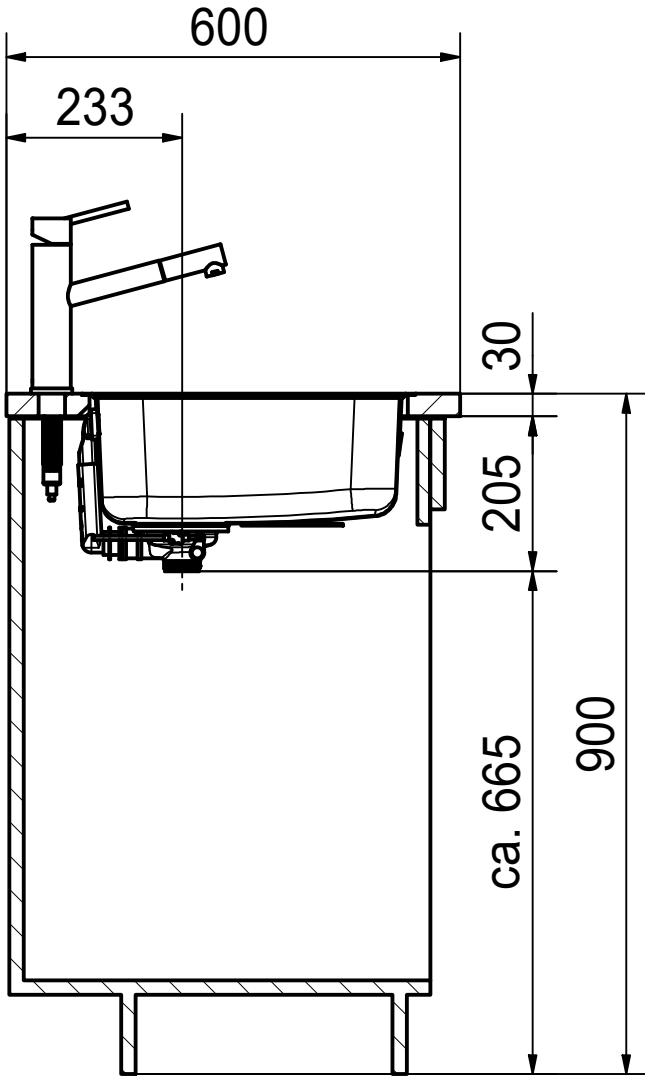
Drawing No.	20242539_02	Revision	A
Drawn Date	13.09.2022		
These drawings and specifications are the property of Franke Technology and Trademark Ltd., Hergiswil, Switzerland.			



SRX 210-50 SI  
installing document

Sheet	Sheets
1	6

DS



Drawing No. 20242539\_02 Revision A

Drawn Date 13.09.2022

These drawings and specifications are the property of Franke Technology and Trademark Ltd., Hergiswil, Switzerland.

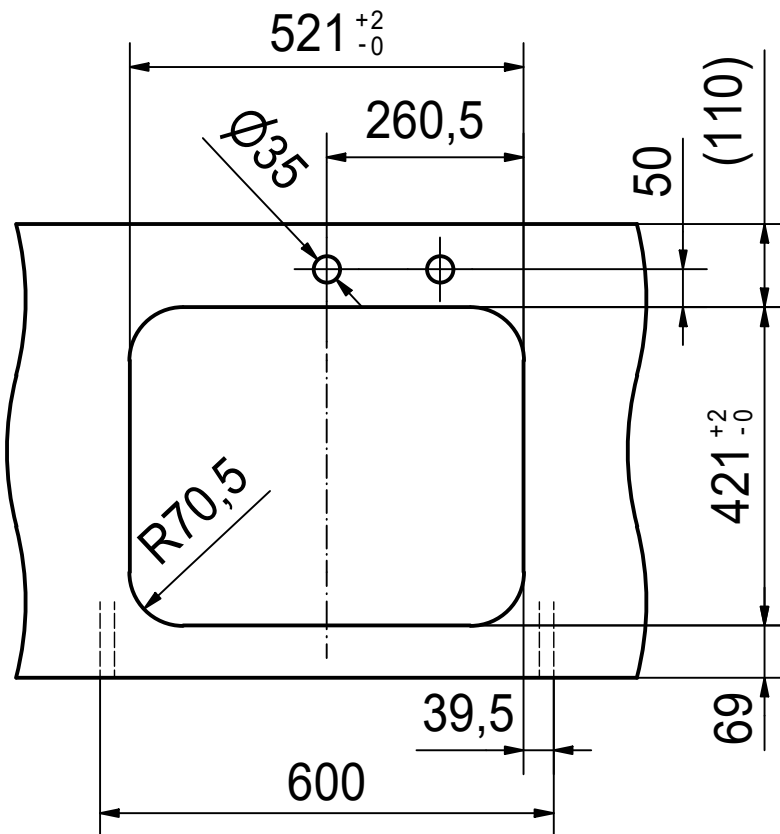


SRX 210-50 SI  
installing document

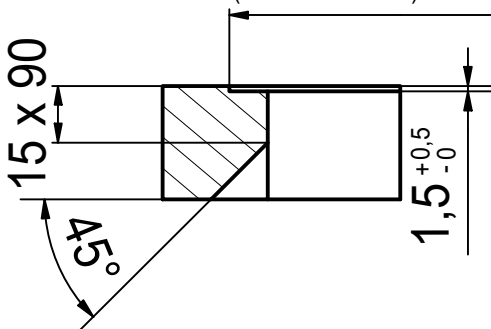
Sheet Sheets

2 6

CO



for flush fit only  
 541.4 x 441.4 x R80.7  
 (tolerance +0.5/0)



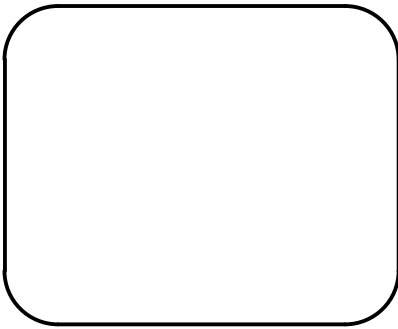
Drawing No.	20242539_02	Revision	A
Drawn Date	13.09.2022		
<small>These drawings and specifications are the property of Franke Technology and Trademark Ltd., Hergiswil, Switzerland.</small>			



SRX 210-50 SI  
 installing document

Sheet	Sheets
3	6

**CNC**



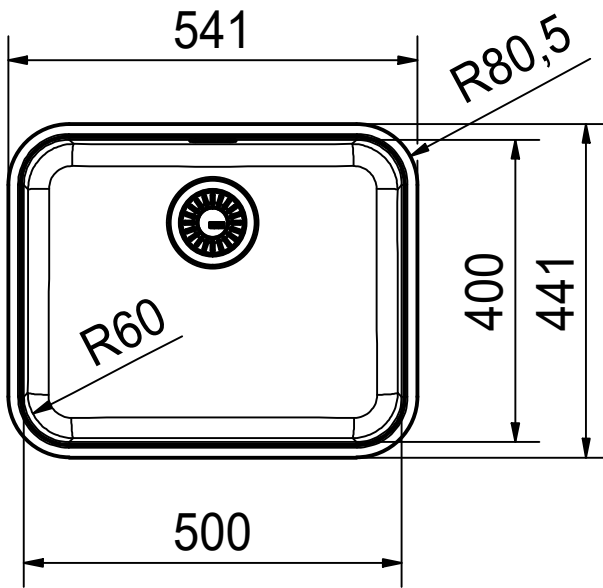
Drawing No.	20242539_02	Revision	A
Drawn Date	13.09.2022		
These drawings and specifications are the property of Franke Technology and Trademark Ltd., Hergiswil, Switzerland.			



**SRX 210-50 SI**  
installing document

Sheet	Sheets
4	6

DT



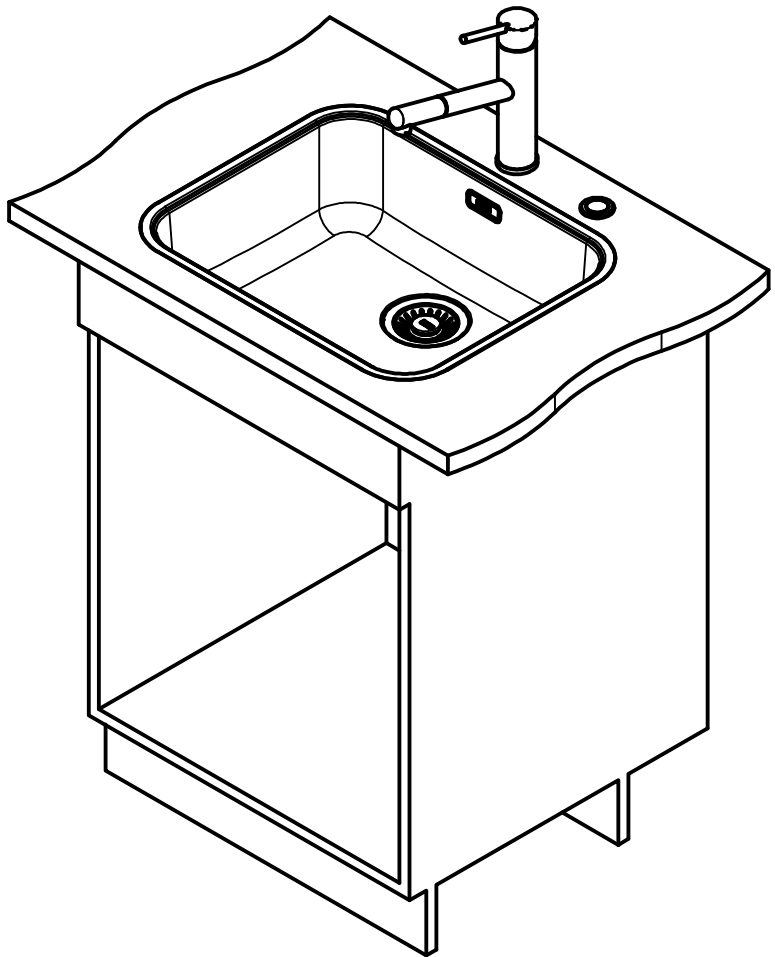
Drawing No.	20242539_02	Revision	A
Drawn Date	13.09.2022		
These drawings and specifications are the property of Franke Technology and Trademark Ltd., Hergiswil, Switzerland.			



SRX 210-50 SI  
installing document

Sheet	Sheets
5	6

ISO



Drawing No.	20242539_02	Revision	A
Drawn Date	13.09.2022		
These drawings and specifications are the property of Franke Technology and Trademark Ltd., Hergiswil, Switzerland.			

**FRANKE**

**SRX 210-50 SI**  
installing document

Sheet	Sheets
6	6