
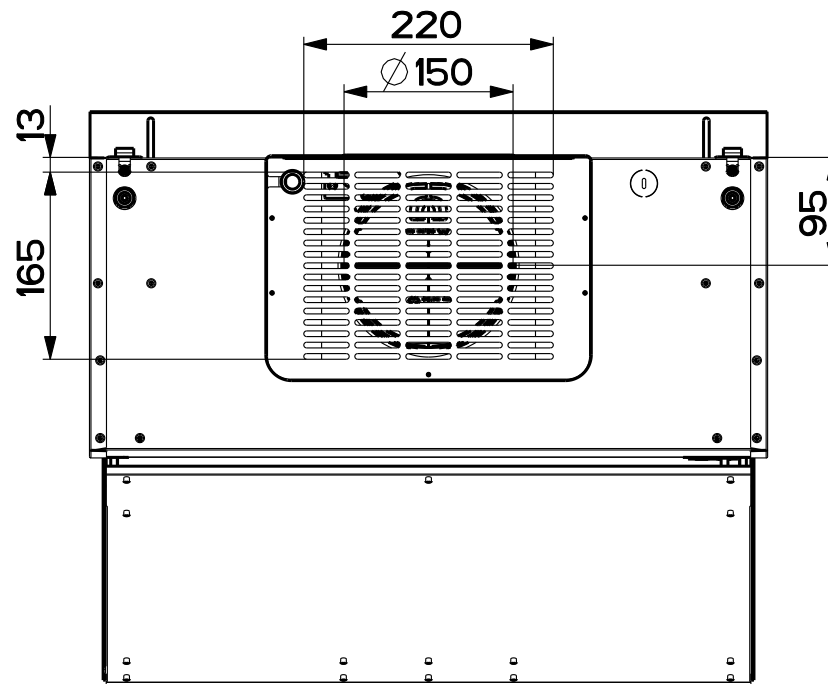
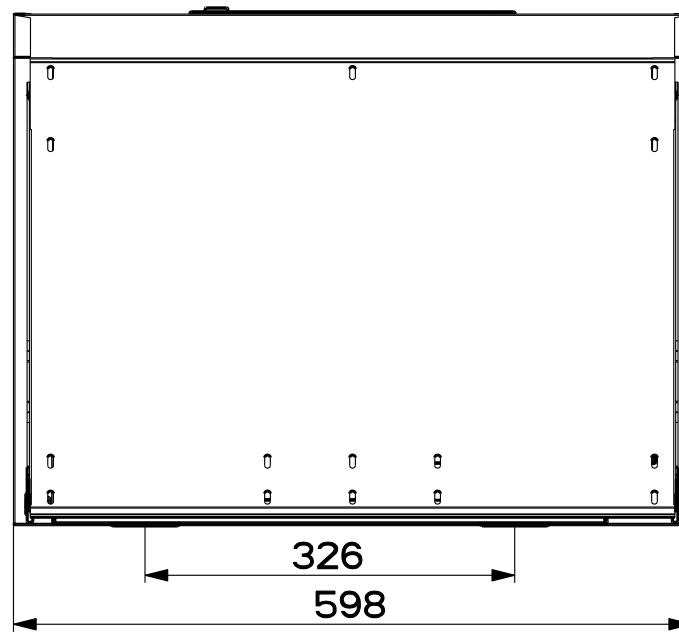
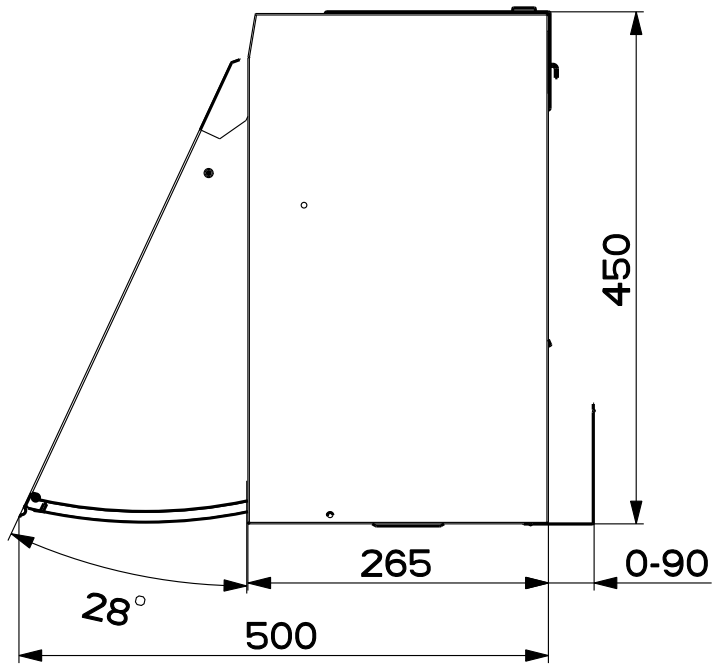


Created by Bellucci, Daniele	
Denomination DIMENSIONAL DRAWING	
Lang EN 	Sheet 1/2
Modif.by	
Approved by Bellucci, Daniele	
Approval date 28-Sep-2017	
Doc. status Released	
Drawing N. 101_752	Rev 01



Created by Bellucci, Daniele	
Denomination DIMENSIONAL DRAWING	
Lang EN	Sheet 2/2
Modif.by	
Approved by Bellucci, Daniele	
Approval date 28-Sep-2017	
Doc. status Released	
Drawing N. 101_752	Rev 01