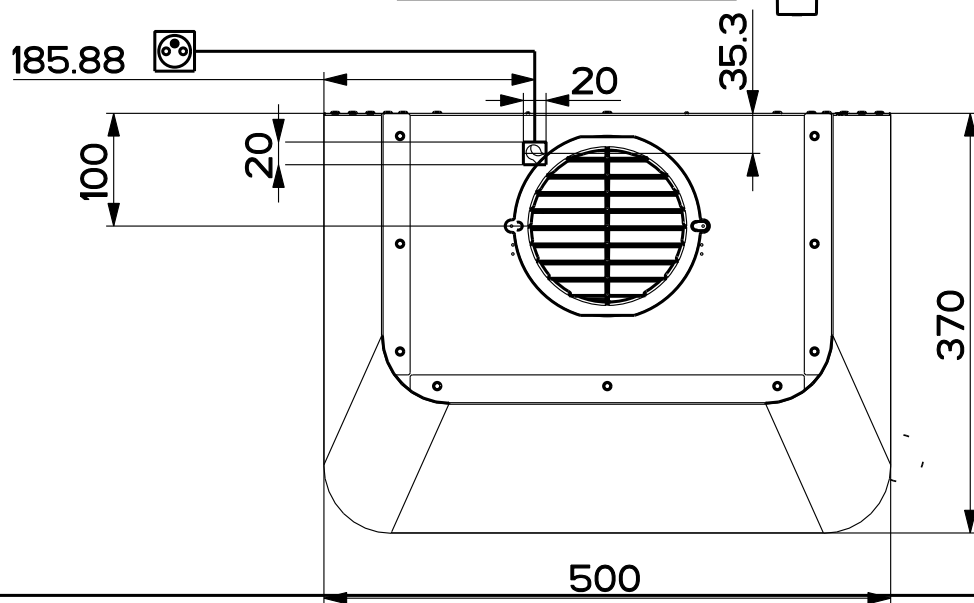
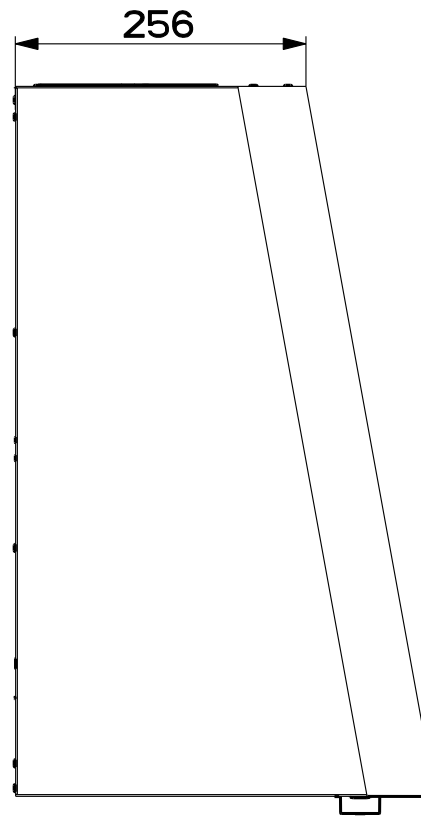
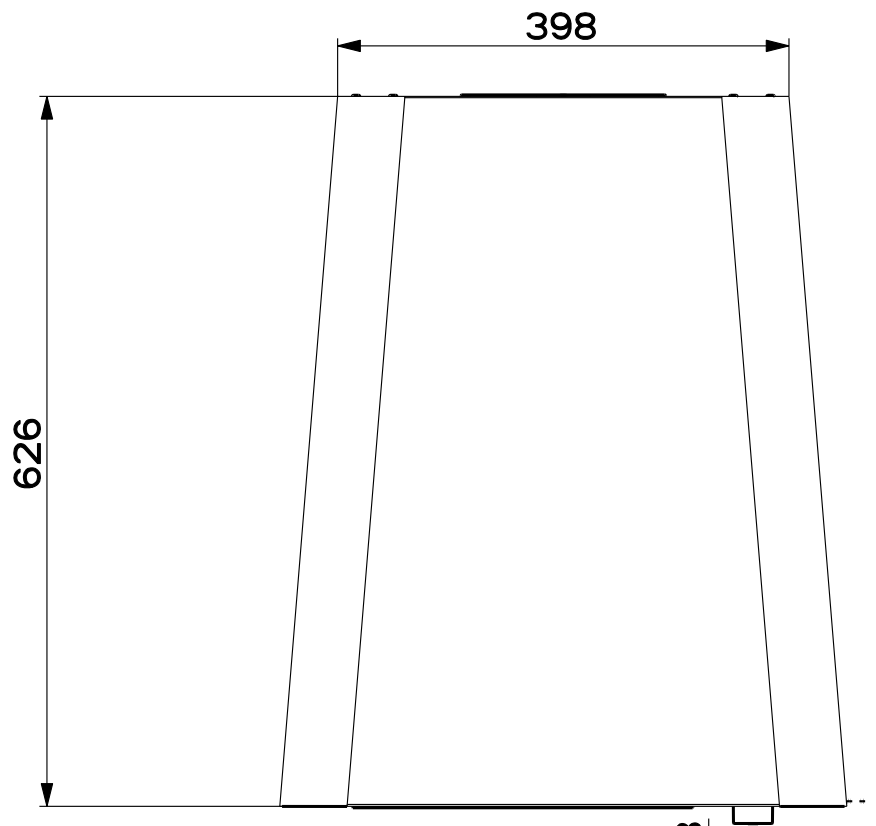


Created by KAD3	
Denomination DIMENSIONAL DRAWING	
Lang EN	Sheet 1/2
Modif.by KAD3	
Approved by Bellucci, Daniele	
Approval date 03-Dec-2018	
Doc. status Released	
Drawing N. 335052_712	Rev 02



Created by KAD3	
Denomination DIMENSIONAL DRAWING	
Lang EN	Sheet 2/2
Modif.by KAD3	
Approved by Bellucci, Daniele	
Approval date 03-Dec-2018	
Doc. status Released	
Drawing N. 335052_712	Rev 02