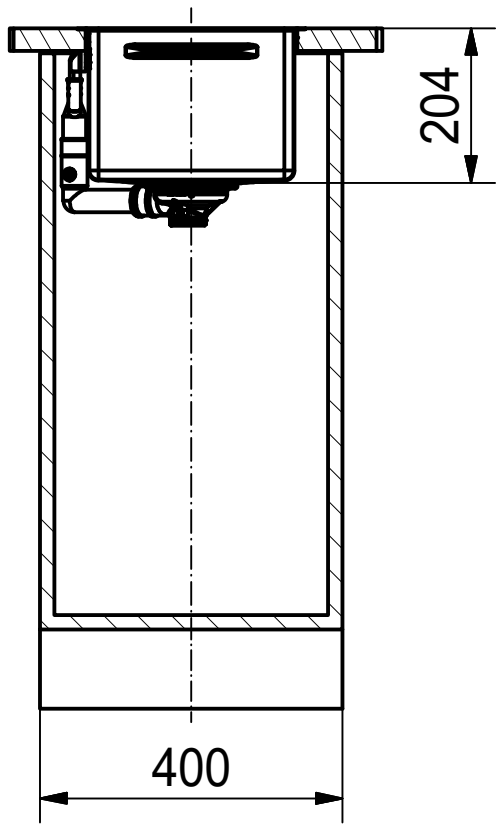
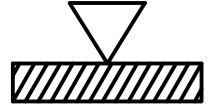


DF



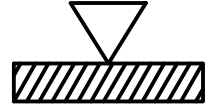
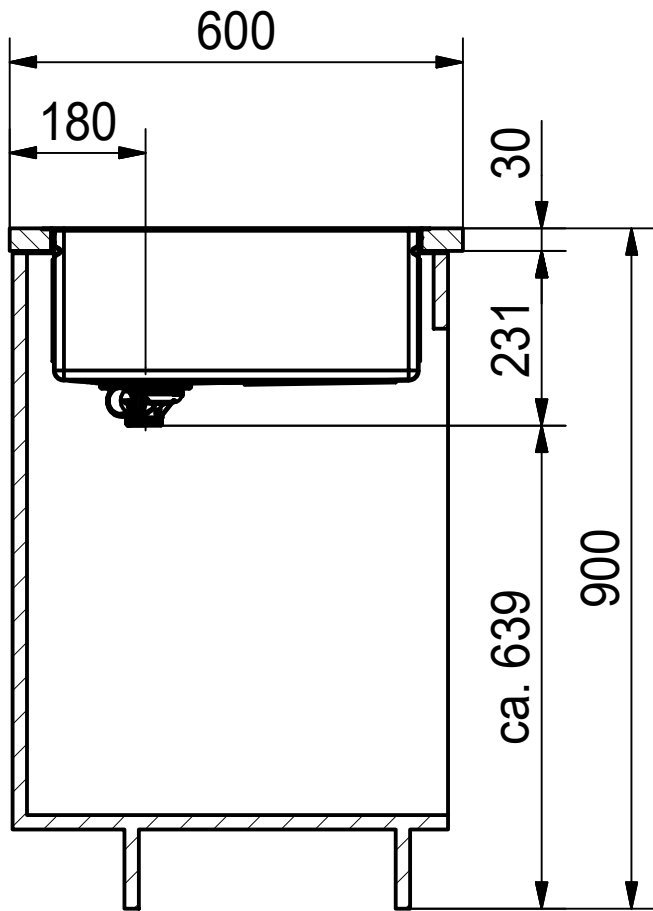
Drawing No.	20135825_01	Revision	-
Drawn Date	25.02.2019		
<small>These drawings and specifications are the property of Franke Technology and Trademark Ltd. and shall not be reproduced, copied or transferred to any third party without the prior written permission of Franke Technology and Trademark Ltd., Hergiswil, Switzerland</small>			



BWX 220/120-27 SI

Sheet	Sheets
1	11

DS



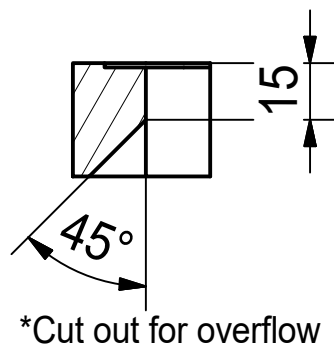
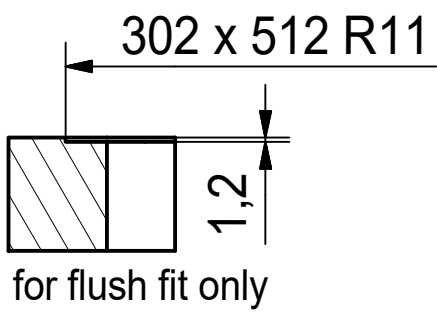
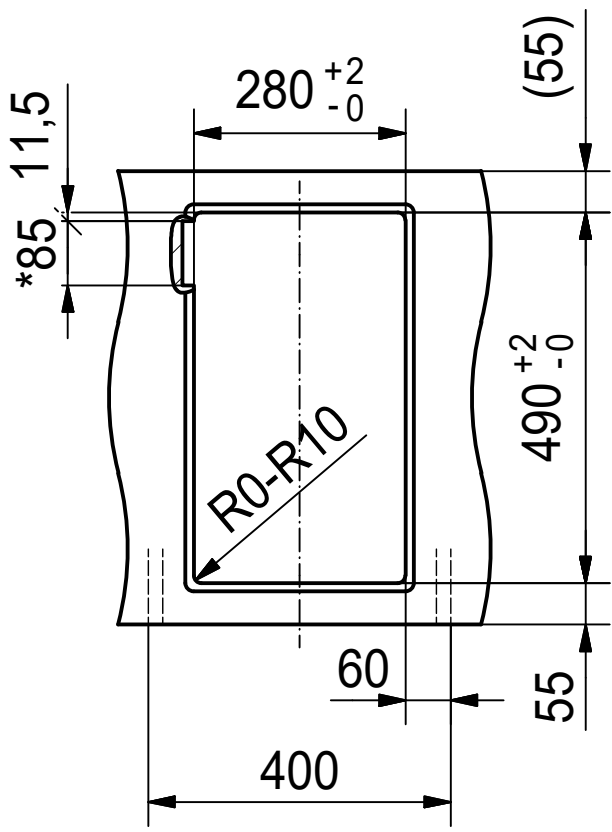
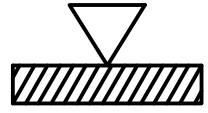
Drawing No.	20135825_01	Revision	-
Drawn Date	25.02.2019		
<small>These drawings and specifications are the property of Franke Technology and Trademark Ltd. and shall not be reproduced, copied or transferred to any third party without the prior written permission of Franke Technology and Trademark Ltd., Hergiswil, Switzerland</small>			



BWX 220/120-27 SI

Sheet	Sheets
2	11

CO



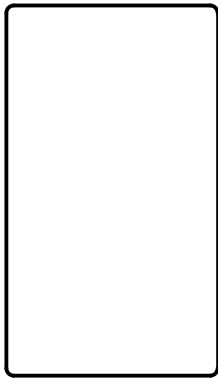
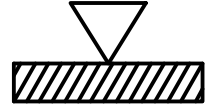
Drawing No.	20135825_01	Revision	-
Drawn Date	25.02.2019		
These drawings and specifications are the property of Franke Technology and Trademark Ltd. and shall not be reproduced, copied or transferred to any third party without the prior written permission of Franke Technology and Trademark Ltd., Hergiswil, Switzerland			



BWX 220/120-27 SI

Sheet	Sheets
3	11

CNC



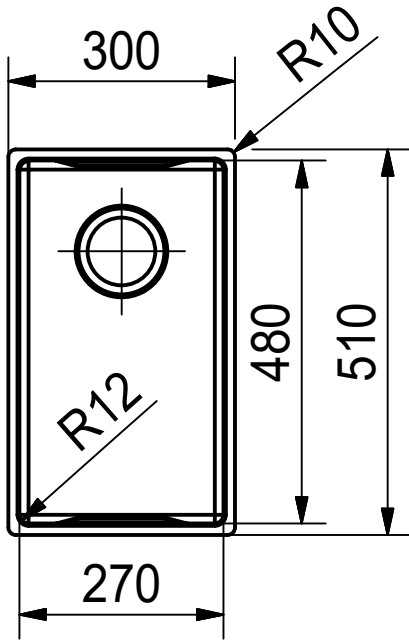
Drawing No.	20135825_01	Revision	-
Drawn Date	25.02.2019		
<small>These drawings and specifications are the property of Franke Technology and Trademark Ltd. and shall not be reproduced, copied or transferred to any third party without the prior written permission of Franke Technology and Trademark Ltd., Hergiswil, Switzerland</small>			



BWX 220/120-27 SI

Sheet	Sheets
4	11

DT



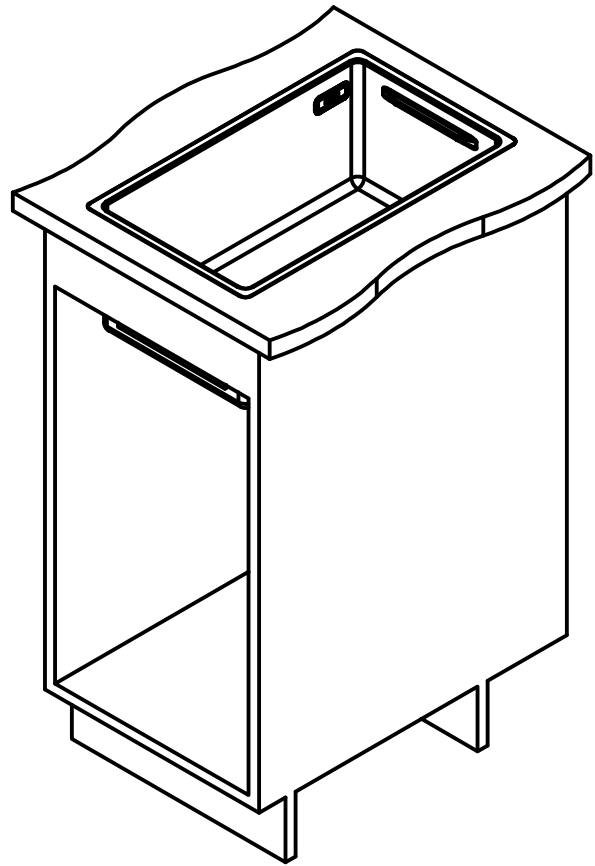
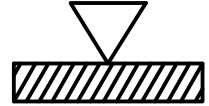
Drawing No.	20135825_01	Revision	-
Drawn Date	25.02.2019		
<small>These drawings and specifications are the property of Franke Technology and Trademark Ltd. and shall not be reproduced, copied or transferred to any third party without the prior written permission of Franke Technology and Trademark Ltd., Hergiswil, Switzerland</small>			



BWX 220/120-27 SI

Sheet	Sheets
5	11

ISO



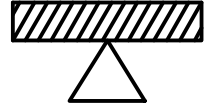
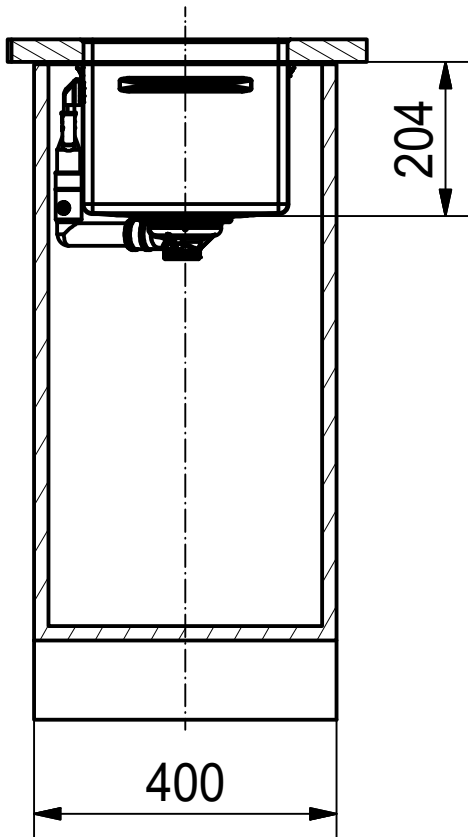
Drawing No.	20135825_01	Revision	-
Drawn Date	25.02.2019		
<small>These drawings and specifications are the property of Franke Technology and Trademark Ltd. and shall not be reproduced, copied or transferred to any third party without the prior written permission of Franke Technology and Trademark Ltd., Hergiswil, Switzerland</small>			



BWX 220/120-27 SI

Sheet	Sheets
6	11

DF



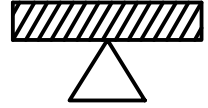
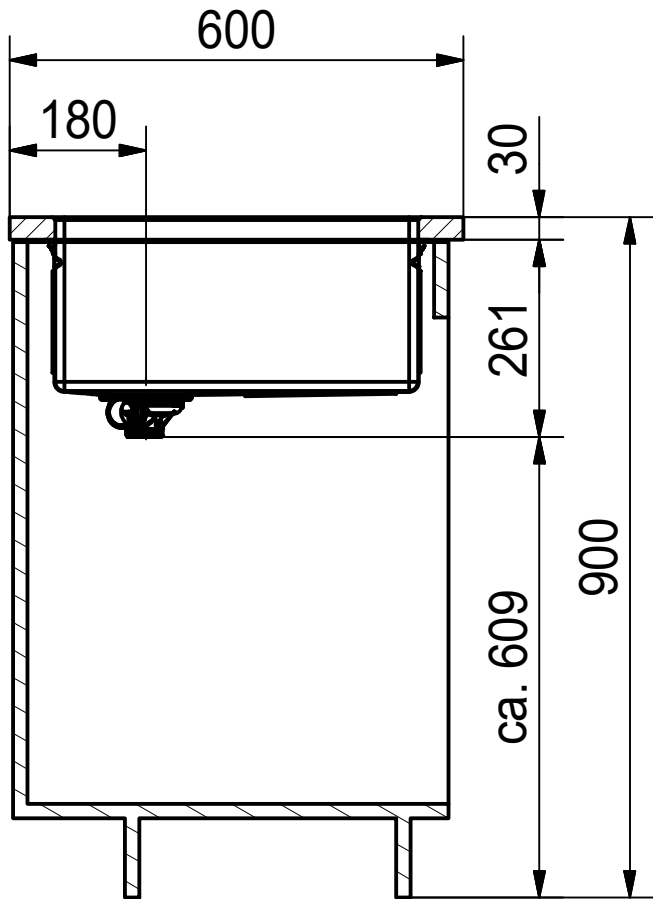
Drawing No.	20135825_01	Revision	-
Drawn Date	25.02.2019		
<small>These drawings and specifications are the property of Franke Technology and Trademark Ltd. and shall not be reproduced, copied or transferred to any third party without the prior written permission of Franke Technology and Trademark Ltd., Hergiswil, Switzerland</small>			



BWX 220/120-27 SI

Sheet	Sheets
7	11

DS



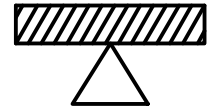
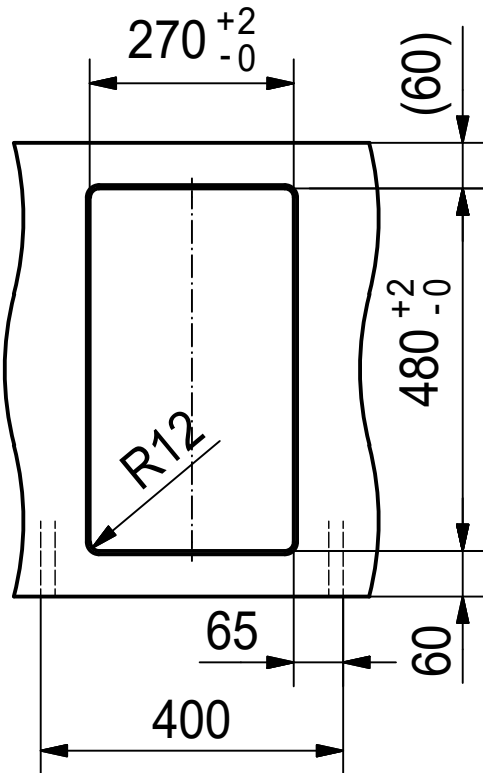
Drawing No.	20135825_01	Revision	-
Drawn Date	25.02.2019		
<small>These drawings and specifications are the property of Franke Technology and Trademark Ltd. and shall not be reproduced, copied or transferred to any third party without the prior written permission of Franke Technology and Trademark Ltd., Hergiswil, Switzerland</small>			



BWX 220/120-27 SI

Sheet	Sheets
8	11

CO



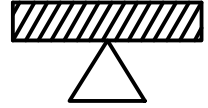
Drawing No.	20135825_01	Revision	-
Drawn Date	25.02.2019		
<small>These drawings and specifications are the property of Franke Technology and Trademark Ltd. and shall not be reproduced, copied or transferred to any third party without the prior written permission of Franke Technology and Trademark Ltd., Hergiswil, Switzerland</small>			



BWX 220/120-27 SI

Sheet	Sheets
9	11

CNC



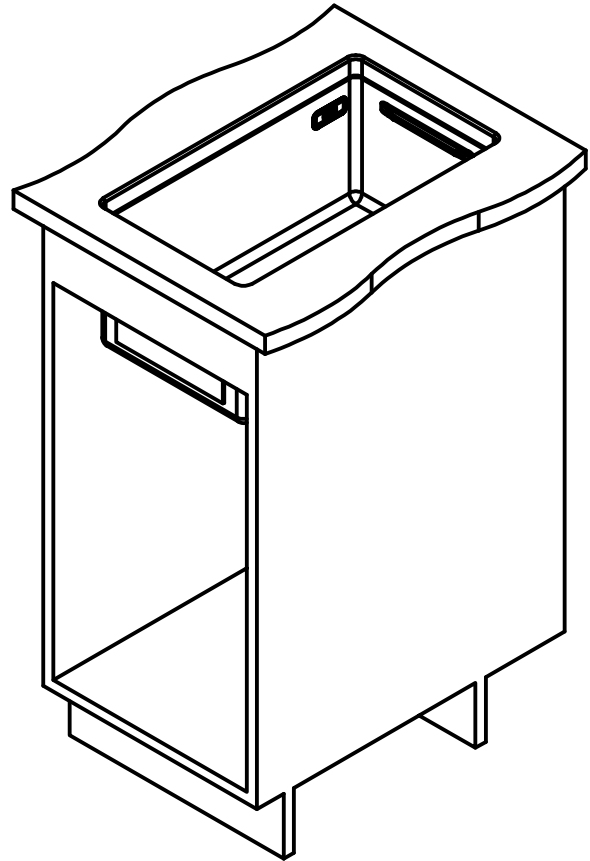
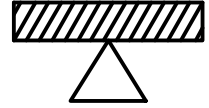
Drawing No.	20135825_01	Revision	-
Drawn Date	25.02.2019		
<small>These drawings and specifications are the property of Franke Technology and Trademark Ltd. and shall not be reproduced, copied or transferred to any third party without the prior written permission of Franke Technology and Trademark Ltd., Hergiswil, Switzerland</small>			



BWX 220/120-27 SI

Sheet	Sheets
10	11

ISO



Drawing No.	20135825_01	Revision	-
Drawn Date	25.02.2019		
<small>These drawings and specifications are the property of Franke Technology and Trademark Ltd. and shall not be reproduced, copied or transferred to any third party without the prior written permission of Franke Technology and Trademark Ltd., Hergiswil, Switzerland</small>			



BWX 220/120-27 SI

Sheet	Sheets
11	11