

Created by **Latini, Francesco**

Denomination  
**DIMENSIONAL DRAWING NO DRIP FK**

Lang **EN**  Sheet **1/2**

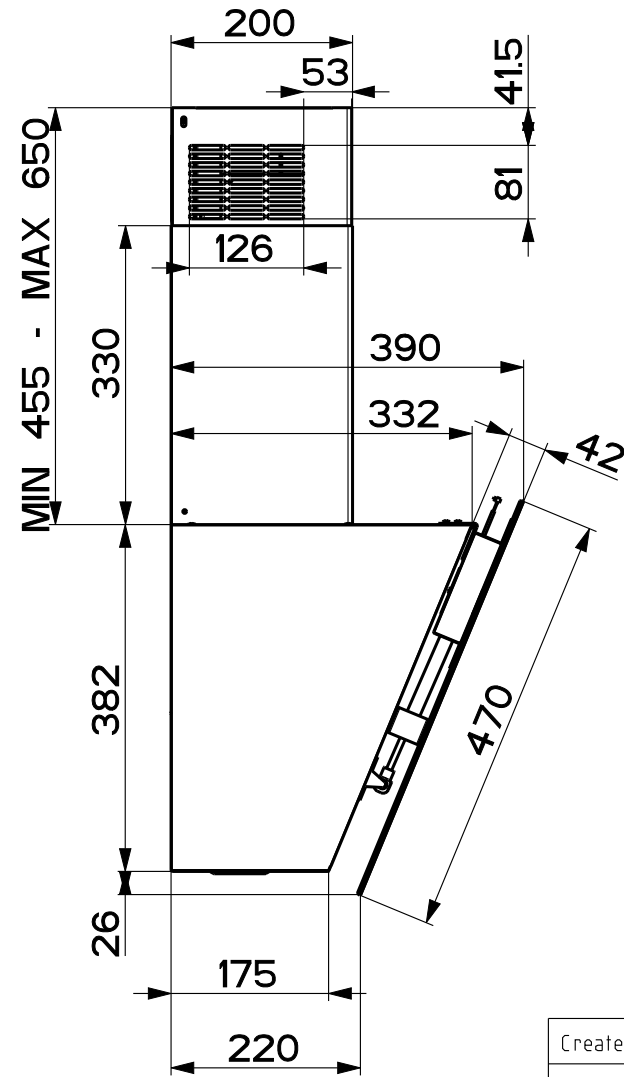
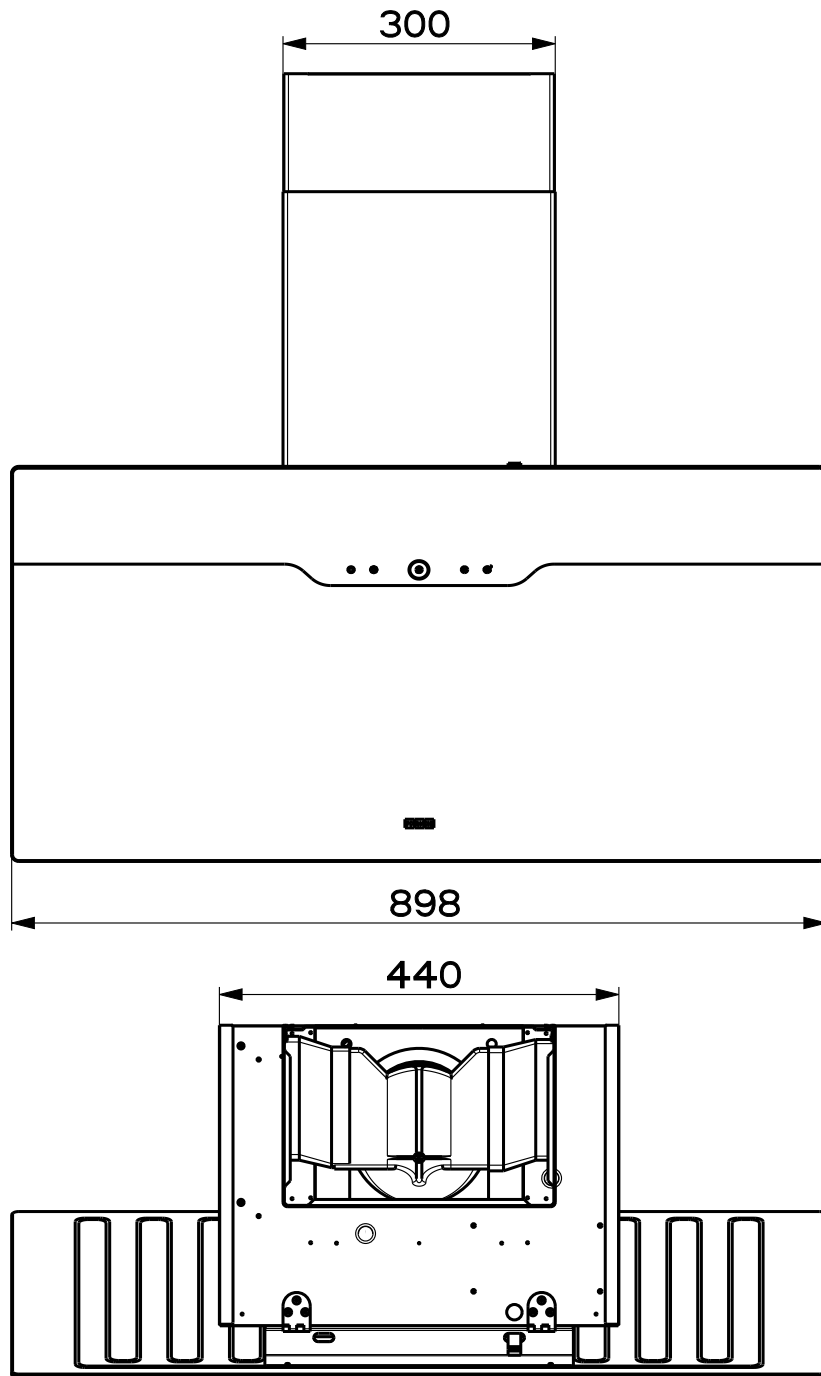
Modif.by **Latini, Francesco**

Approved by **Romani, Fabio**

Approval date **15-Sep-2021**

Doc. status **Released**

Drawing N. <b>47A_1286</b>	Rev <b>01</b>
-------------------------------	------------------



Created by **Latini, Francesco**

Denomination  
**DIMENSIONAL DRAWING NO DRIP FK**

Lang **EN**  Sheet **2/2**

Modif.by

Approved by **Romani, Fabio**

Approval date **15-Sep-2021**

Doc. status **Released**

Drawing N.  
**47A\_1286** Rev  
**01**