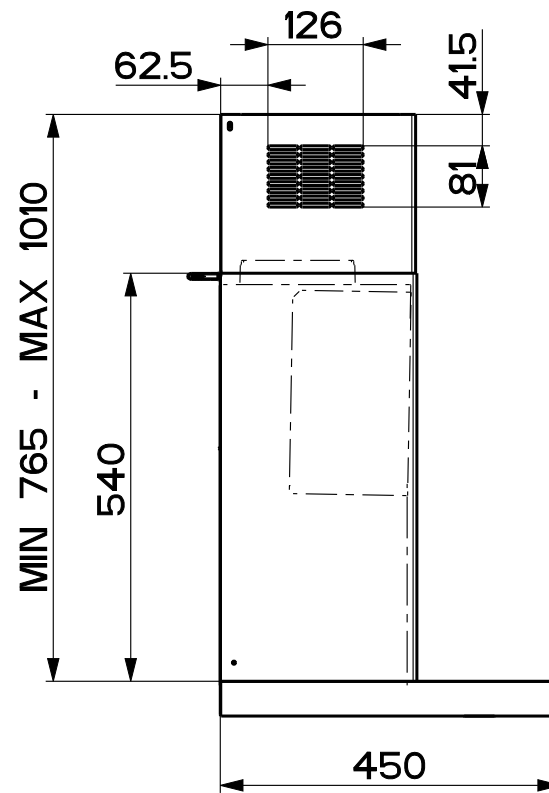
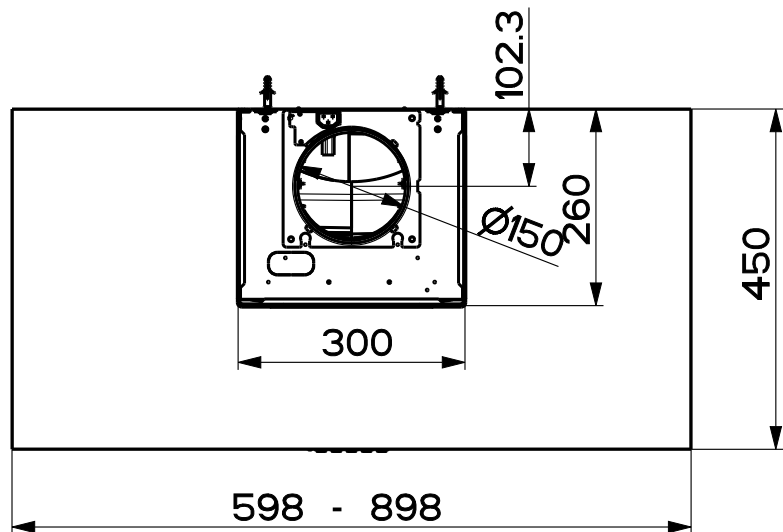
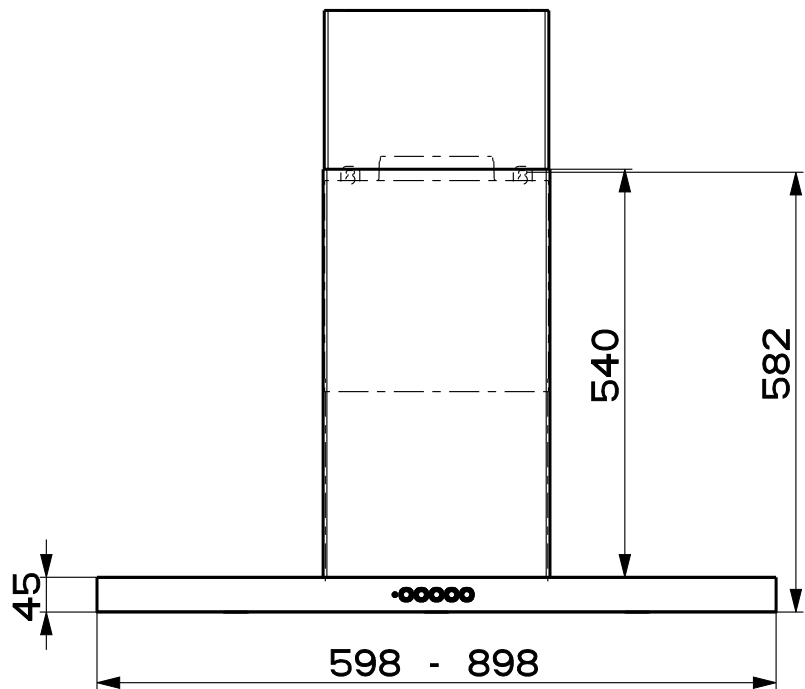
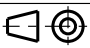


Created by Solutions	
Denomination	
DIM. DRAW T-SHAPE K44 SIL	
Lang EN	Sheet 1/2
Modif.by	
Approved by Romani, Fabio	
Approval date 20-Sep-2021	
Doc. status Released	
Drawing N. 325125_728	Rev 01



Created by Solutions	
Denomination DIM. DRAW T-SHAPE K44 SIL	
Lang EN 	Sheet 2/2
Modif.by	
Approved by Romani, Fabio	
Approval date 20-Sep-2021	
Doc. status Released	
Drawing N. 325125_728	Rev 01