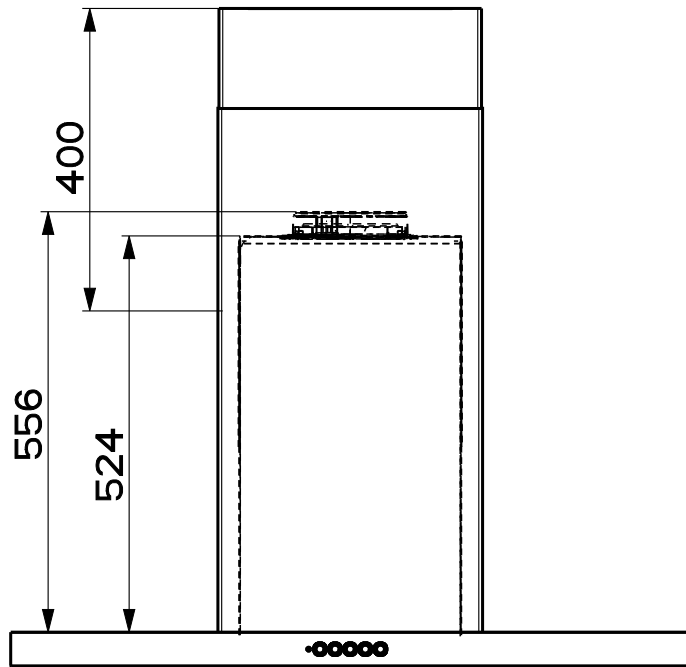
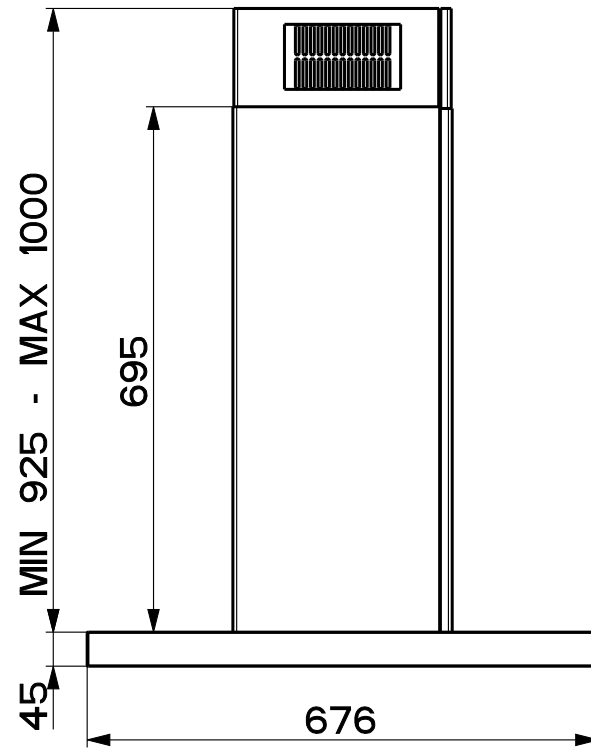
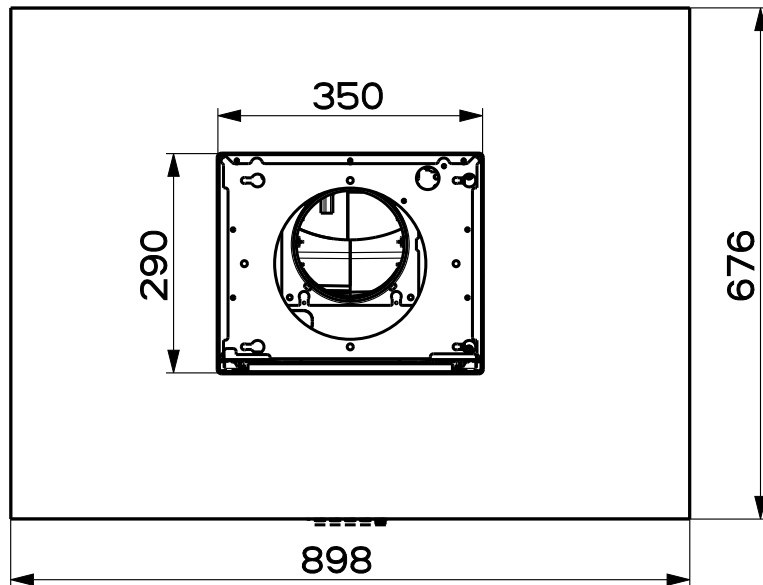


Created by Solutions	
Denomination DIM DRAW T-SHAPE IS K44 SILK/2	
Lang EN	Sheet 1/2
Modif.by	
Approved by Romani, Fabio	
Approval date 20-Sep-2021	
Doc. status Released	
Drawing N. SD2_879	Rev 01



SCALE 1:10



Created by Solutions	
Denomination DIM DRAW T-SHAPE IS K44 SILK/2	
Lang EN	Sheet 2/2
Modif.by	
Approved by Romani, Fabio	
Approval date 20-Sep-2021	
Doc. status Released	
Drawing N. SD2_879	Rev 01