

Created by **Stopponi, Fabio**

Denomination  
**DIMENSIONAL DRAWING CONE**

Lang **EN**  Sheet **1/2**

Modif.by

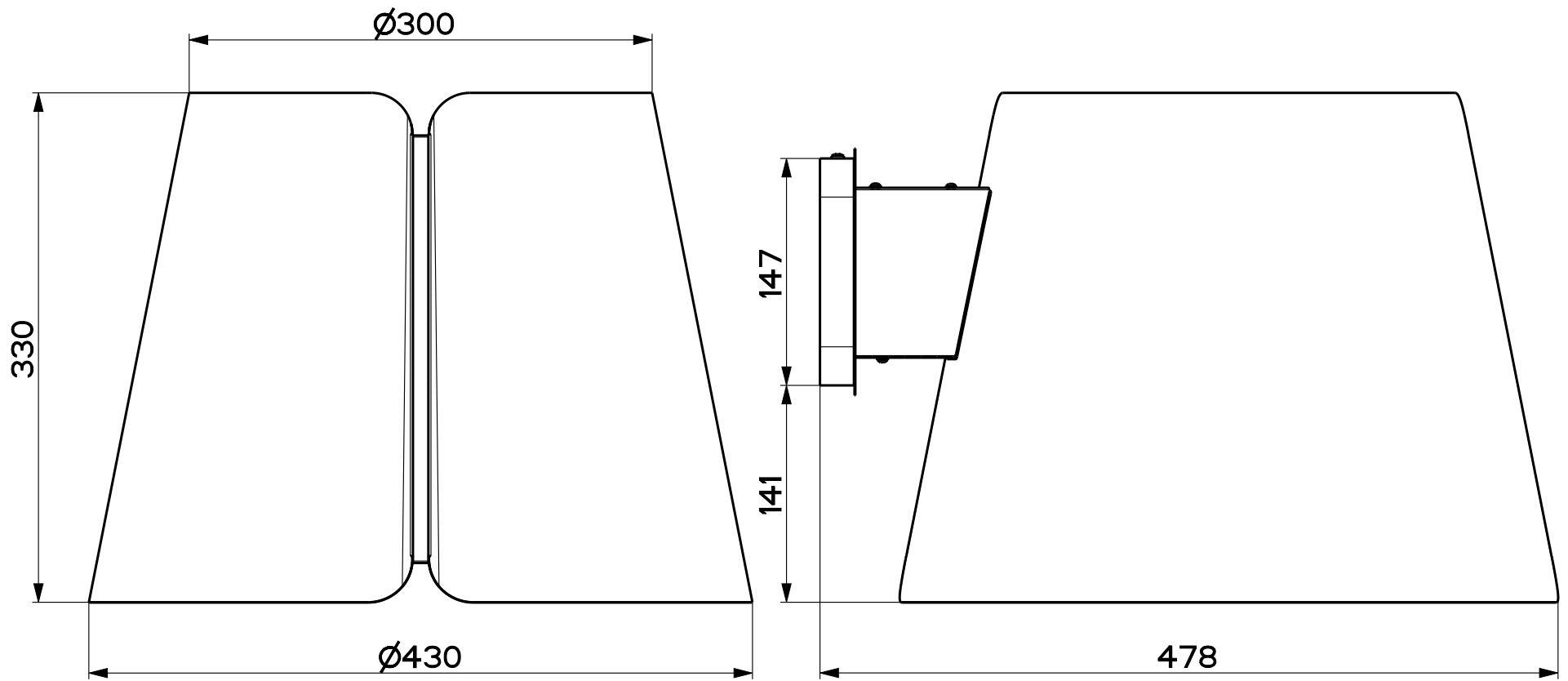
Approved by **Palazzi, Walter**

Approval date **03-Nov-2022**

Doc. status **Released**

Drawing N.  
**335076\_713**

Rev  
**01**



Created by **Stopponi, Fabio**

Denomination  
**DIMENSIONAL DRAWING CONE**

Lang **EN**  Sheet **2/2**

Modif.by

Approved by **Palazzi, Walter**

Approval date **03-Nov-2022**

Doc. status **Released**

Drawing N. <b>335076_713</b>	Rev <b>01</b>
---------------------------------	------------------