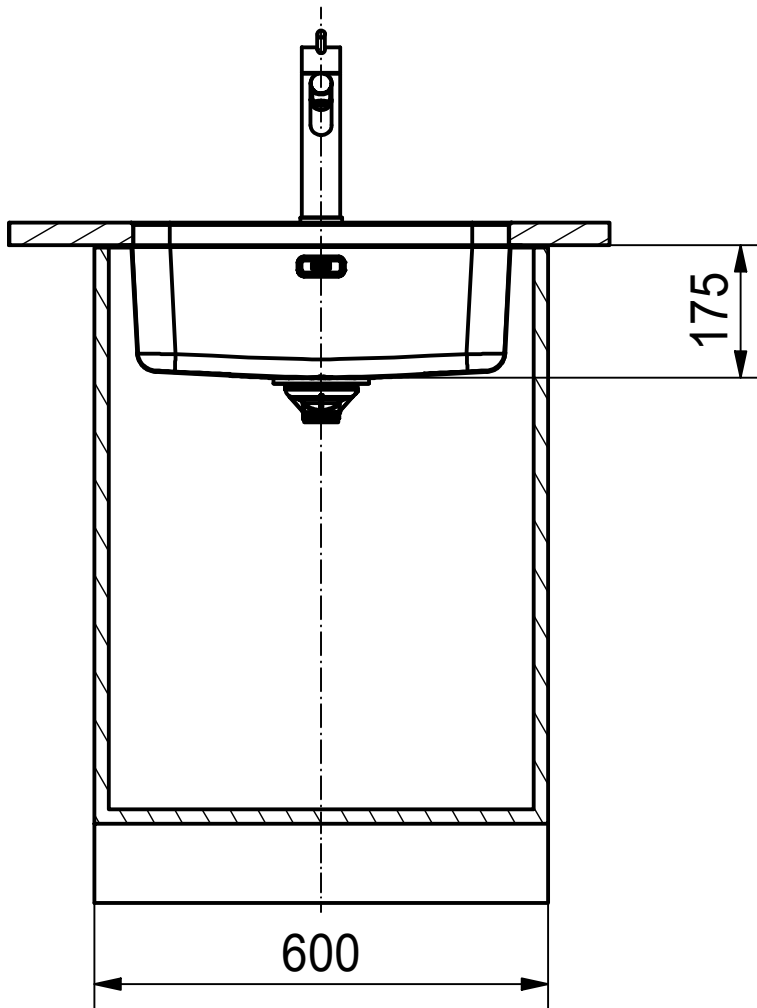


DF



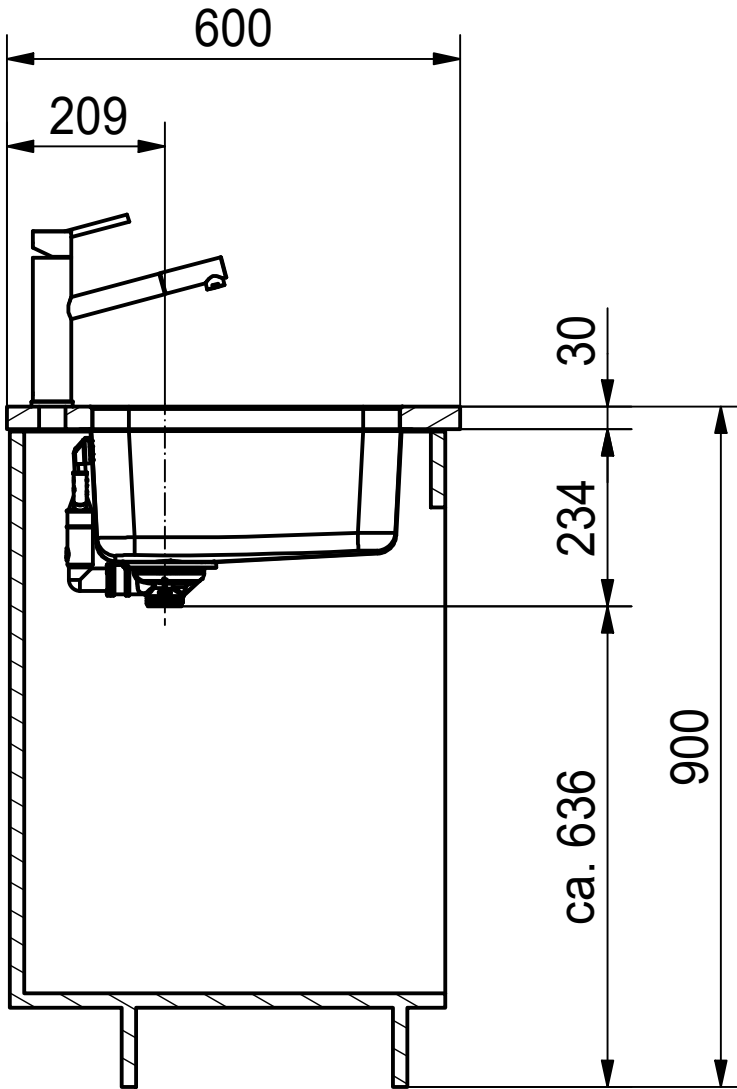
|  |            |          |   |
|--|------------|----------|---|
| Drawing No.  | 20166895   | Revision | E |
| Drawn Date   | 13.08.2010 |          |   |
| <small>These drawings and specifications are the property of NIRO-Plan AG and shall not be reproduced, copied or transferred to any third party without the prior written permission of NIRO-Plan AG, Aarburg, Switzerland</small> |            |          |   |

Franke Küchentechnik AG  
CH-4663 Aarburg  
Phone: +41 62 787 31 31  
Internet: www.franke.com

**LAX 110 50 (41) SI**  
installing document

|       |        |
|-------|--------|
| Sheet | Sheets |
| 1     | 6      |

DS



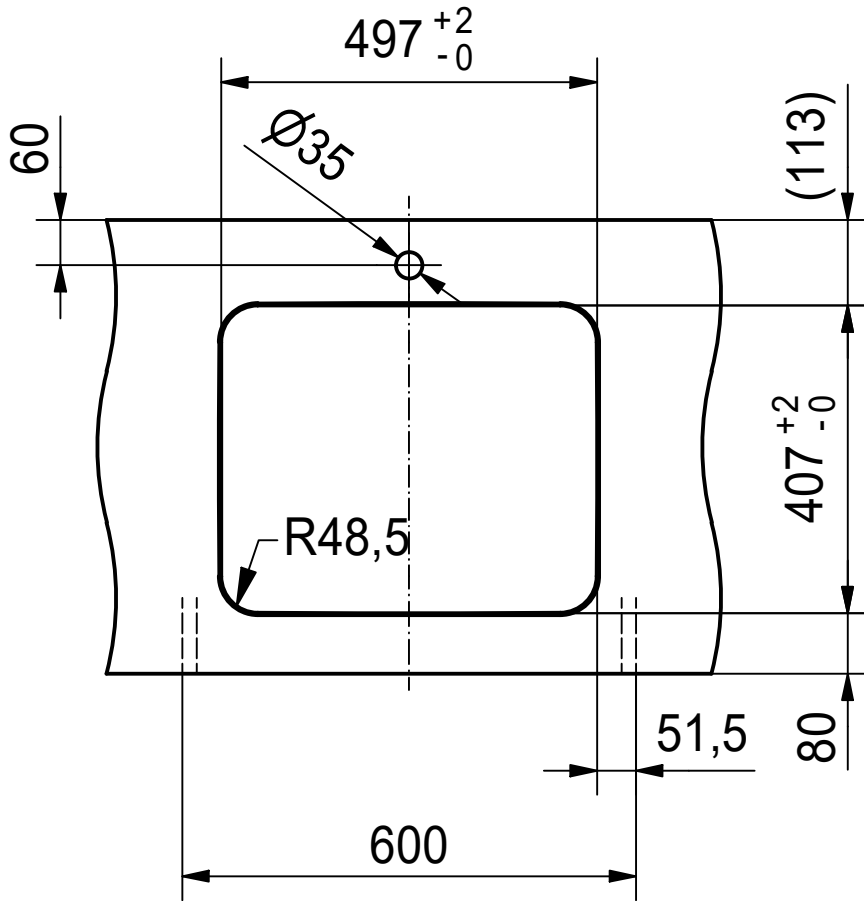
|   |            |          |   |
|---|------------|----------|---|
| Drawing No.   | 20166895   | Revision | E |
| Drawn Date  | 13.08.2010 |          |   |
| These drawings and specifications are the property of NIRO-Plan AG and shall not be reproduced, copied or transferred to any third party without the prior written permission of NIRO-Plan AG, Aarburg, Switzerland |            |          |   |

Franke Küchentechnik AG  
CH-4663 Aarburg  
Phone: +41 62 787 31 31  
Internet: www.franke.com

**LAX 110 50 (41) SI**  
installing document

|       |        |
|-------|--------|
| Sheet | Sheets |
| 2     | 6      |

CO



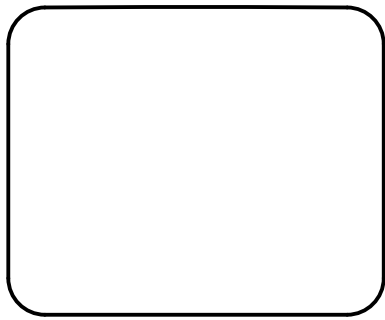
|   |            |          |   |
|---|------------|----------|---|
| Drawing No.   | 20166895   | Revision | E |
| Drawn Date  | 13.08.2010 |          |   |
| These drawings and specifications are the property of NIRO-Plan AG and shall not be reproduced, copied or transferred to any third party without the prior written permission of NIRO-Plan AG, Aarburg, Switzerland |            |          |   |

Franke K chentechnik AG  
CH-4663 Aarburg  
Phone: +41 62 787 31 31  
Internet: www.franke.com

LAX 110 50 (41) SI  
installing document

|       |        |
|-------|--------|
| Sheet | Sheets |
| 3     | 6      |

**CNC**



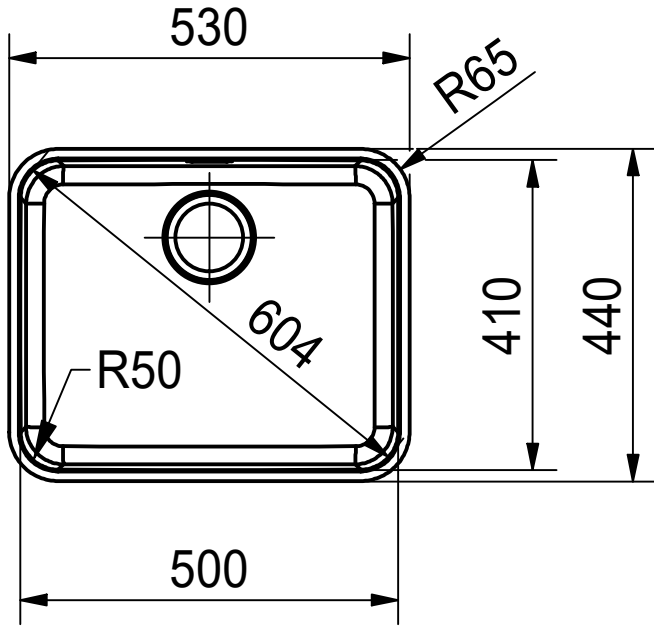
|  |            |          |   |
|--|------------|----------|---|
| Drawing No.  | 20166895   | Revision | E |
| Drawn Date   | 13.08.2010 |          |   |
| <small>These drawings and specifications are the property of NIRO-Plan AG and shall not be reproduced, copied or transferred to any third party without the prior written permission of NIRO-Plan AG, Aarburg, Switzerland</small> |            |          |   |

Franke Küchentechnik AG  
CH-4663 Aarburg  
Phone: +41 62 787 31 31  
Internet: [www.franke.com](http://www.franke.com)

**LAX 110 50 (41) SI**  
installing document

|       |        |
|-------|--------|
| Sheet | Sheets |
| 4     | 6      |

DT



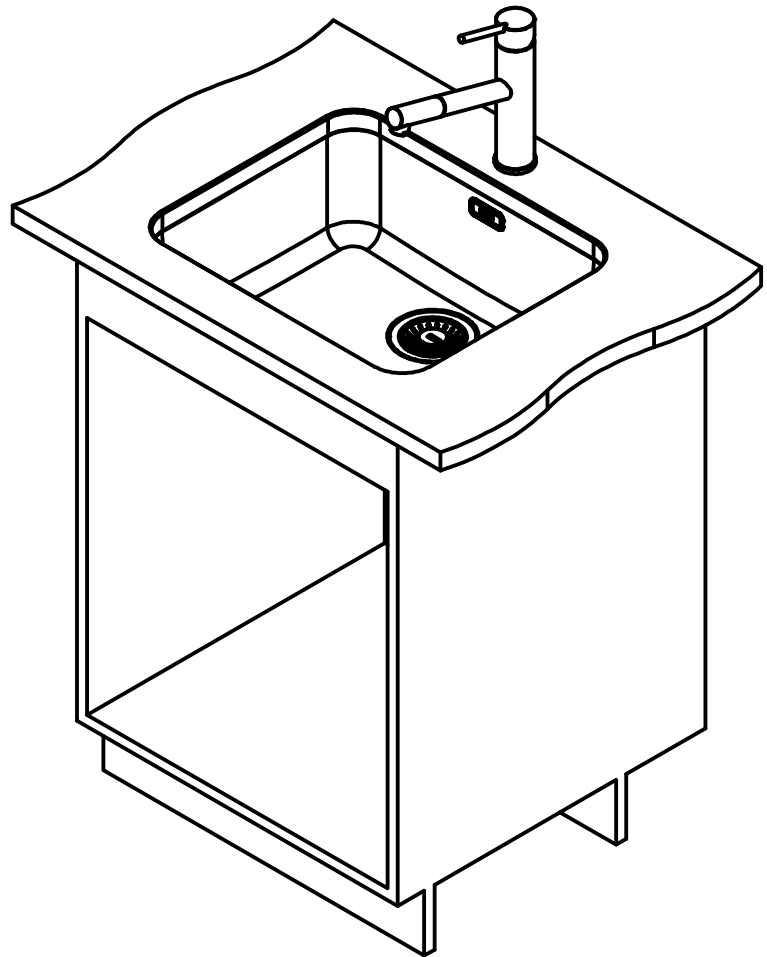
|  |            |          |   |
|--|------------|----------|---|
| Drawing No.  | 20166895   | Revision | E |
| Drawn Date   | 13.08.2010 |          |   |
| <small>These drawings and specifications are the property of NIRO-Plan AG and shall not be reproduced, copied or transferred to any third party without the prior written permission of NIRO-Plan AG, Aarburg, Switzerland</small> |            |          |   |

Franke Küchentechnik AG  
CH-4663 Aarburg  
Phone: +41 62 787 31 31  
Internet: www.franke.com

**LAX 110 50 (41) SI**  
installing document

|       |        |
|-------|--------|
| Sheet | Sheets |
| 5     | 6      |

ISO



|  |            |          |   |
|--|------------|----------|---|
| Drawing No.  | 20166895   | Revision | E |
| Drawn Date   | 13.08.2010 |          |   |
| <small>These drawings and specifications are the property of NIRO-Plan AG and shall not be reproduced, copied or transferred to any third party without the prior written permission of NIRO-Plan AG, Aarburg, Switzerland</small> |            |          |   |

Franke Küchentechnik AG  
CH-4663 Aarburg  
Phone: +41 62 787 31 31  
Internet: www.franke.com

**LAX 110 50 (41) SI**  
installing document

|       |        |
|-------|--------|
| Sheet | Sheets |
| 6     | 6      |