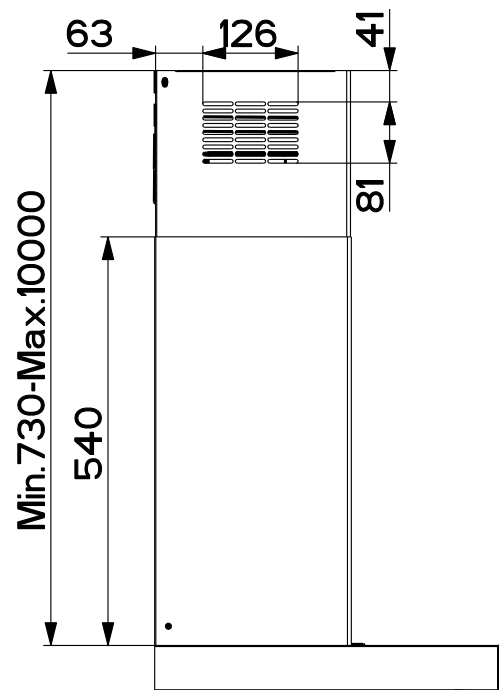
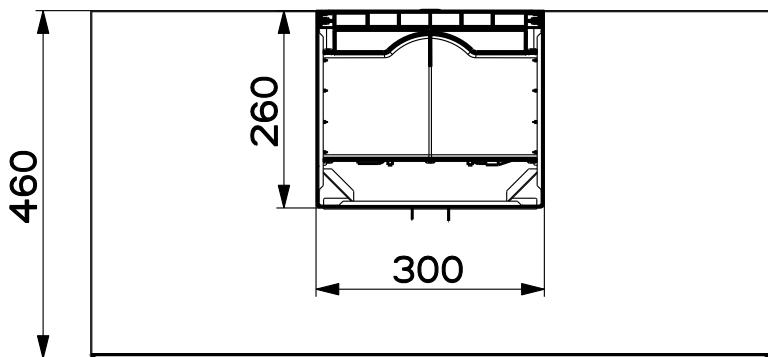
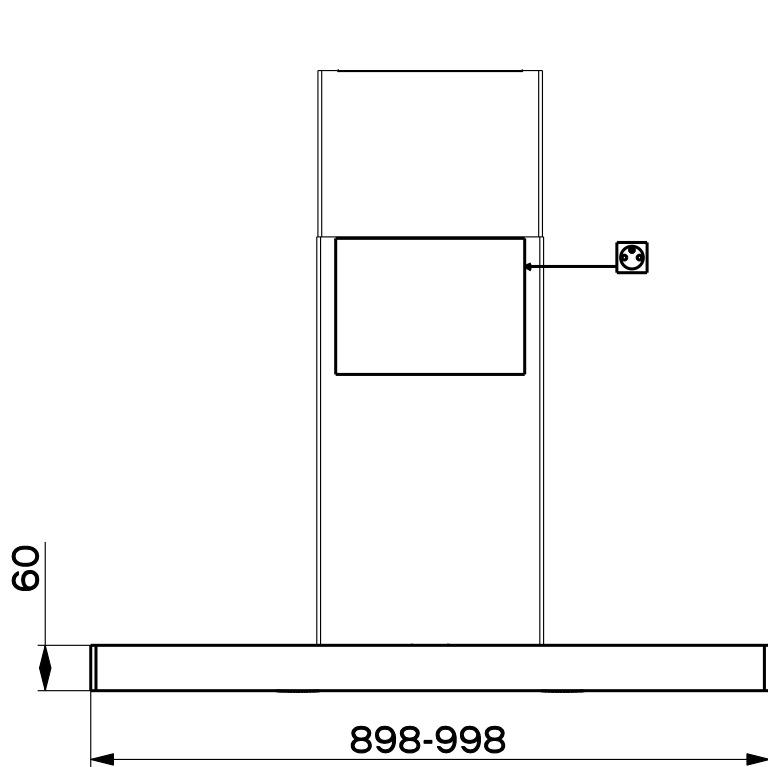
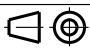


Created by <b>Solutions</b>	
Denomination <b>DIMENSIONAL DRAWING</b>	
Lang <b>EN</b>	Sheet <b>1/2</b>
Modif.by	
Approved by <b>Romani, Fabio</b>	
Approval date <b>08-Mar-2019</b>	
Doc. status <b>Released</b>	
Drawing N. <b>AQ4_833</b>	Rev <b>02</b>



Created by <b>Solutions</b>	
Denomination <b>DIMENSIONAL DRAWING</b>	
Lang <b>EN</b> 	Sheet <b>2/2</b>
Modif.by	
Approved by <b>Romani, Fabio</b>	
Approval date <b>08-Mar-2019</b>	
Doc. status <b>Released</b>	
Drawing N. <b>AQ4_833</b>	Rev <b>02</b>