
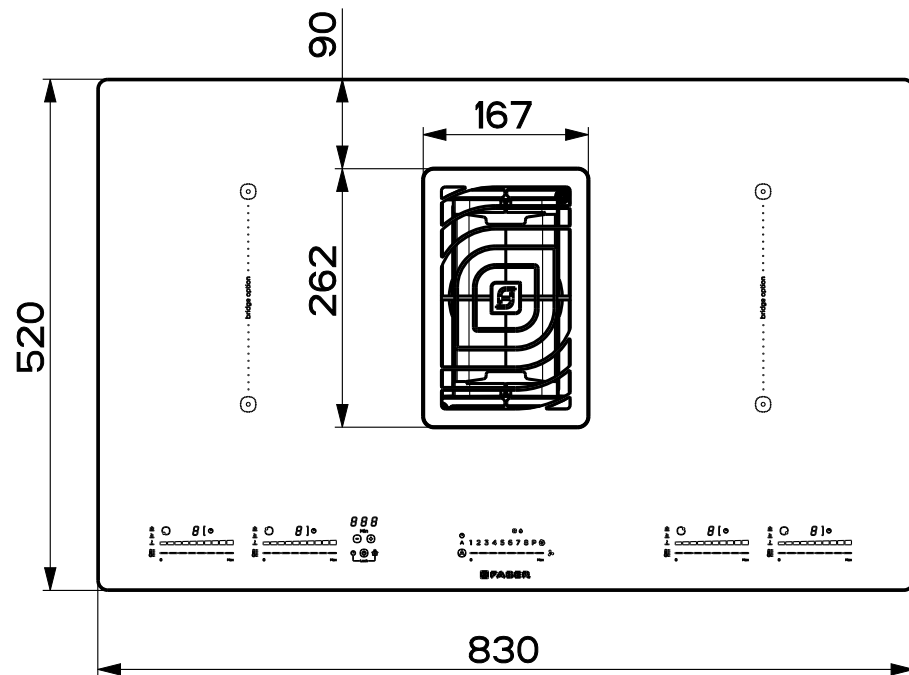
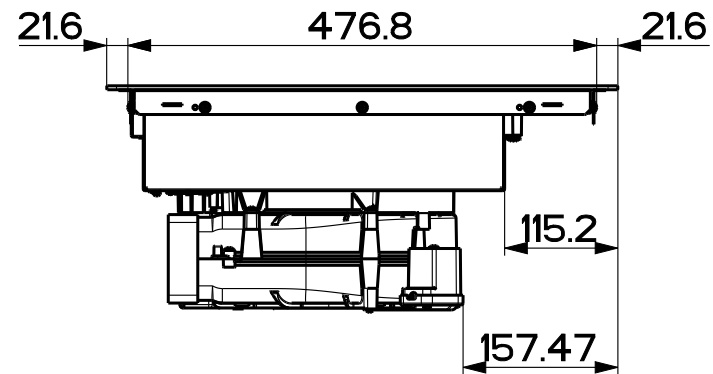
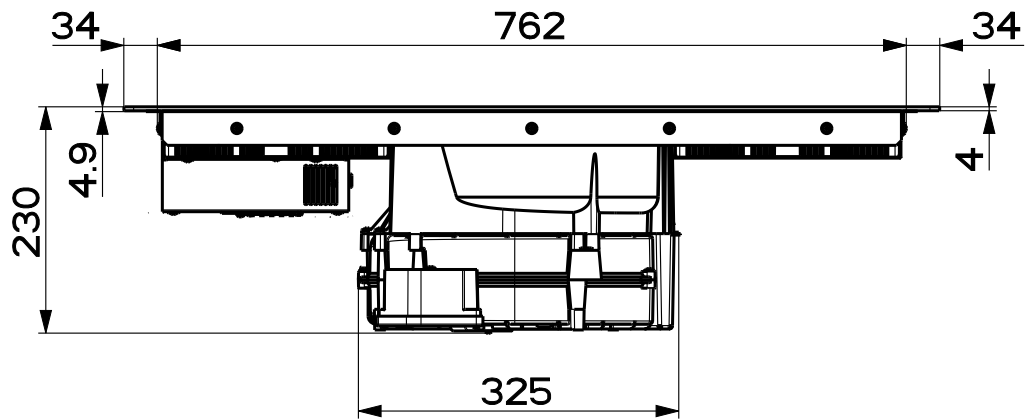


Created by -	
Denomination DIMENSIONAL DRAWING G5 FABER	
Lang EN 	Sheet 1/2
Modif.by	
Approved by Damiani, Cristiano	
Approval date 20-Nov-2019	
Doc. status Released	
Drawing N. 340006_843	Rev 01



Created by -	
Denomination	
DIMENSIONAL DRAWING G5 FABER	
Lang EN	Sheet 2/2
Modif.by	
Approved by Damiani, Cristiano	
Approval date 20-Nov-2019	
Doc. status Released	
Drawing N.	Rev
340006_843	01