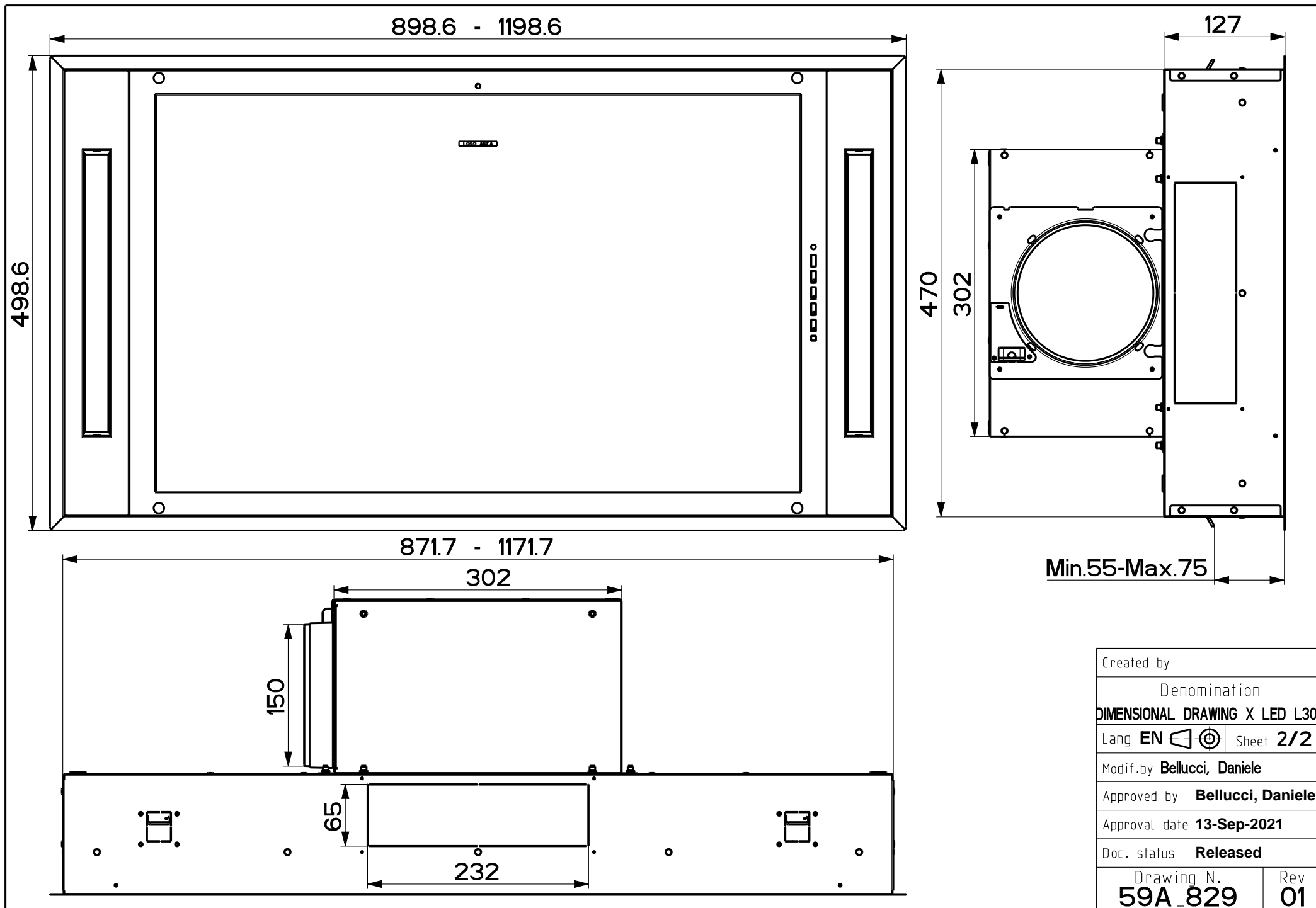


Created by	
Denomination	
DIMENSIONAL DRAWING X LED L300	
Lang EN	Sheet 1/2
Modif.by Bellucci, Daniele	
Approved by Bellucci, Daniele	
Approval date 13-Sep-2021	
Doc. status Released	
Drawing N.	Rev
59A_829	01



Created by	
Denomination	
DIMENSIONAL DRAWING X LED L300	
Lang EN	Sheet 2/2
Modif.by Bellucci, Daniele	
Approved by Bellucci, Daniele	
Approval date 13-Sep-2021	
Doc. status Released	
Drawing N.	Rev
59A_829	01