
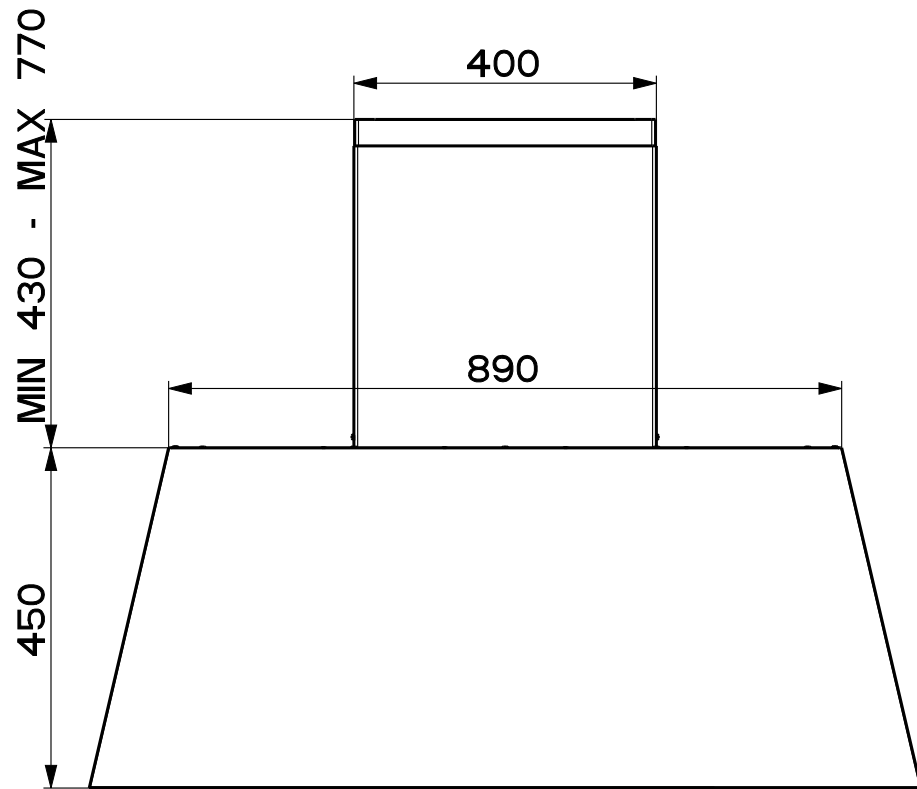
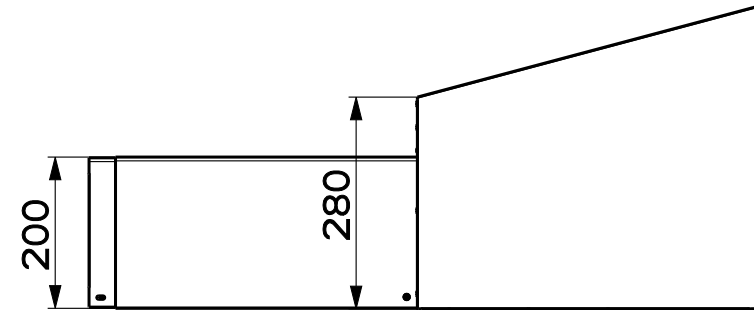
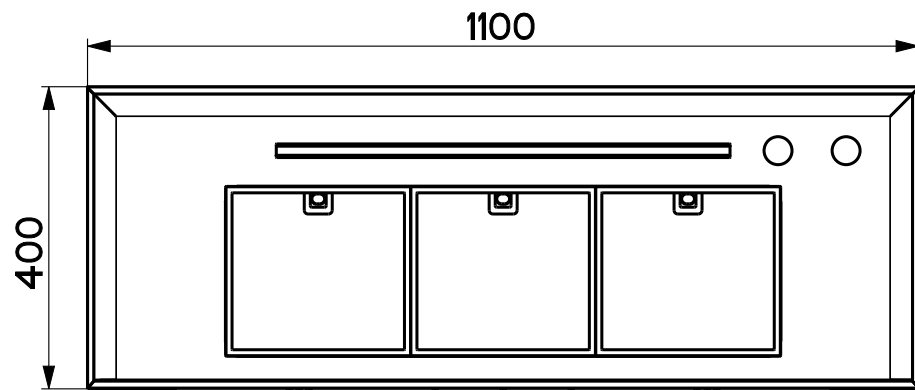


Created by Bellucci, Daniele	
Denomination DIMENSIONAL DRAWING 110 LED BAR SLIM	
Lang EN 	Sheet 1/2
Modif.by Bellucci, Daniele	
Approved by Bellucci, Daniele	
Approval date 02-Oct-2021	
Doc. status Released	
Drawing N. 321014_733	Rev 01



Created by **Bellucci, Daniele**

Denomination
DIMENSIONAL DRAWING 110 LED BAR SLIM

Lang **EN**  Sheet **2/2**

Modif.by **Bellucci, Daniele**

Approved by **Bellucci, Daniele**

Approval date **02-Oct-2021**

Doc. status **Released**

Drawing N. 321014_733	Rev 01
---------------------------------	------------------