
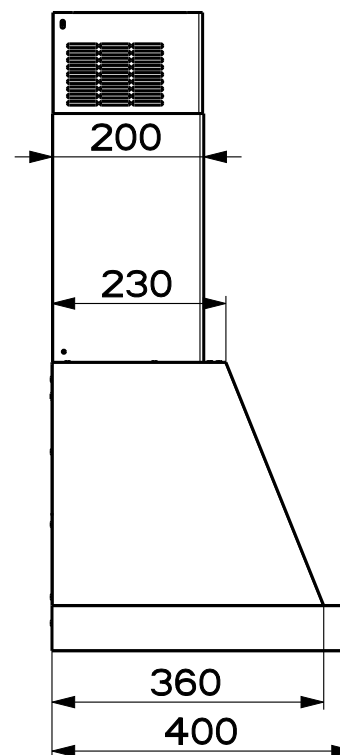
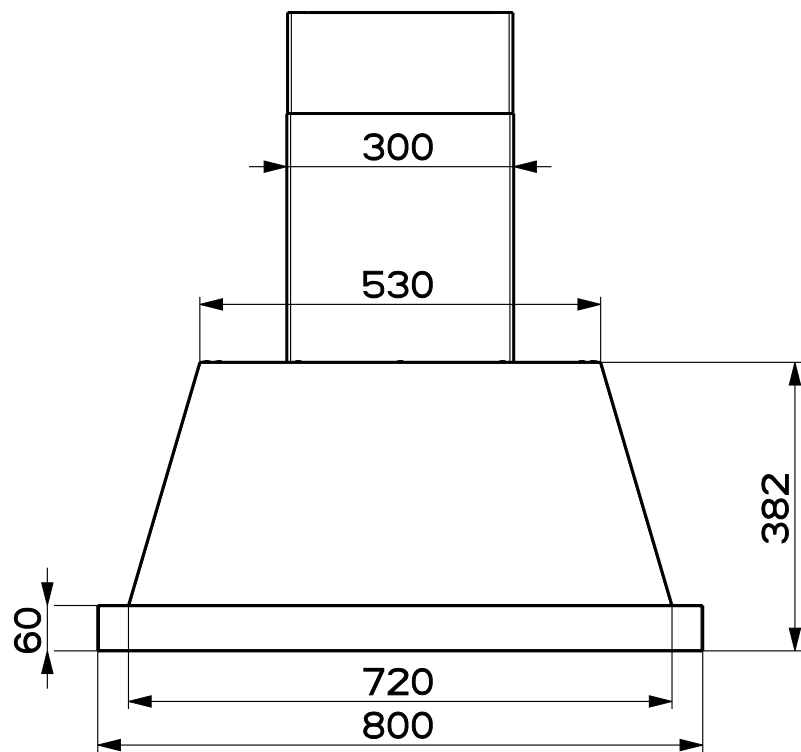
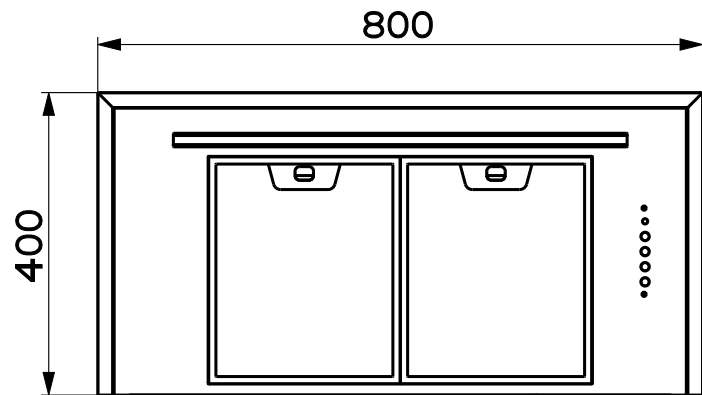



Created by <b>Bellucci, Daniele</b>	
Denomination <b>DIMENSIONAL DRAWING LED BAR SLIM</b>	
Lang <b>EN</b> 	Sheet <b>1/2</b>
Modif.by <b>Bellucci, Daniele</b>	
Approved by <b>Bellucci, Daniele</b>	
Approval date <b>02-Oct-2021</b>	
Doc. status <b>Released</b>	
Drawing N. <b>321017_732</b>	Rev <b>01</b>



Created by <b>Bellucci, Daniele</b>	
Denomination <b>DIMENSIONAL DRAWING LED BAR SLIM</b>	
Lang <b>EN</b> 	Sheet <b>2/2</b>
Modif.by <b>Bellucci, Daniele</b>	
Approved by <b>Bellucci, Daniele</b>	
Approval date <b>02-Oct-2021</b>	
Doc. status <b>Released</b>	
Drawing N. <b>321017_732</b>	Rev <b>01</b>