
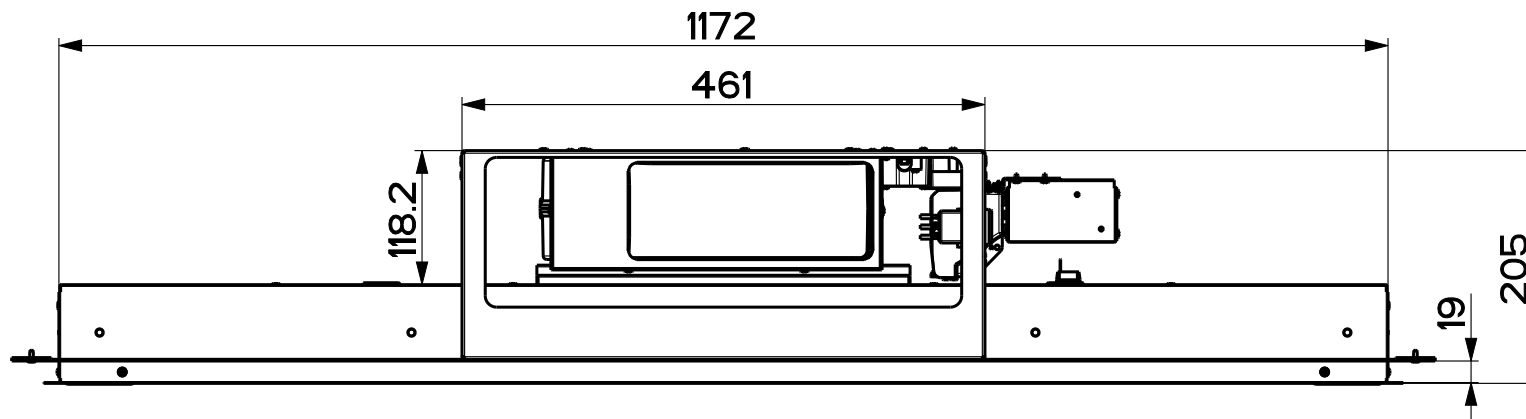
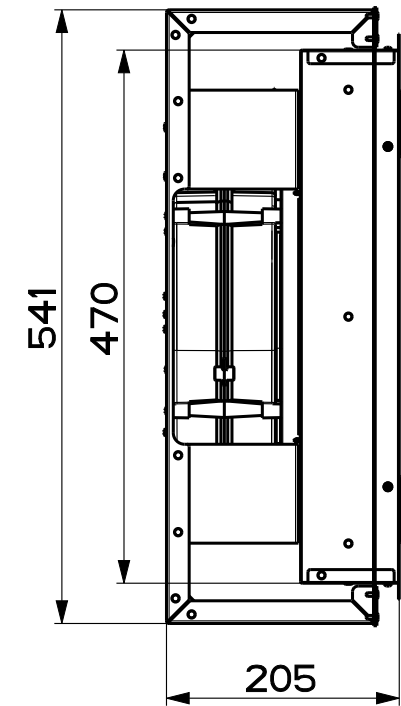



Created by Bellucci, Daniele	
Denomination DIM. DRAW. FLAT CEILING X EMC 120X50 S1000	
Lang EN 	Sheet 1/2
Modif.by Bellucci, Daniele	
Approved by Bellucci, Daniele	
Approval date 12-Apr-2022	
Doc. status Released	
Drawing N. 59A_1072	Rev 01



Created by Bellucci, Daniele	
Denomination DIM. DRAW. FLAT CEILING X EMC 120X50 S1000	
Lang EN 	Sheet 2/2
Modif. by Bellucci, Daniele	
Approved by Bellucci, Daniele	
Approval date 12-Apr-2022	
Doc. status Released	
Drawing N. 59A_1072	Rev 01