
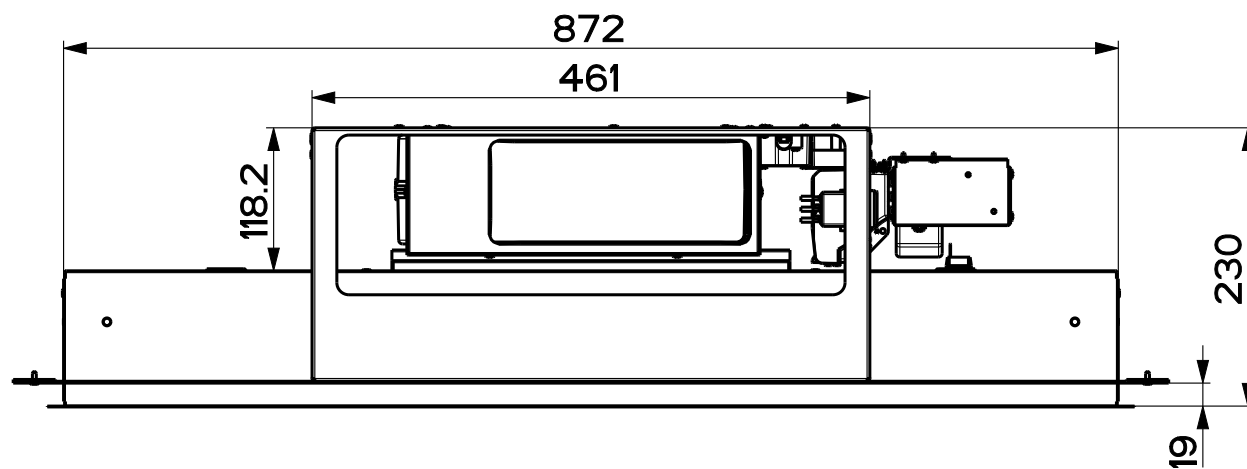
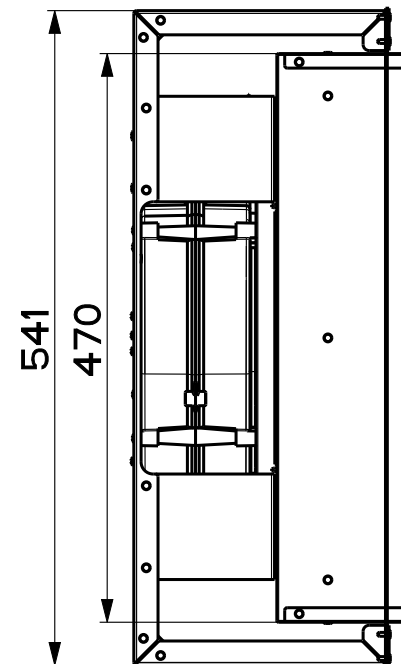
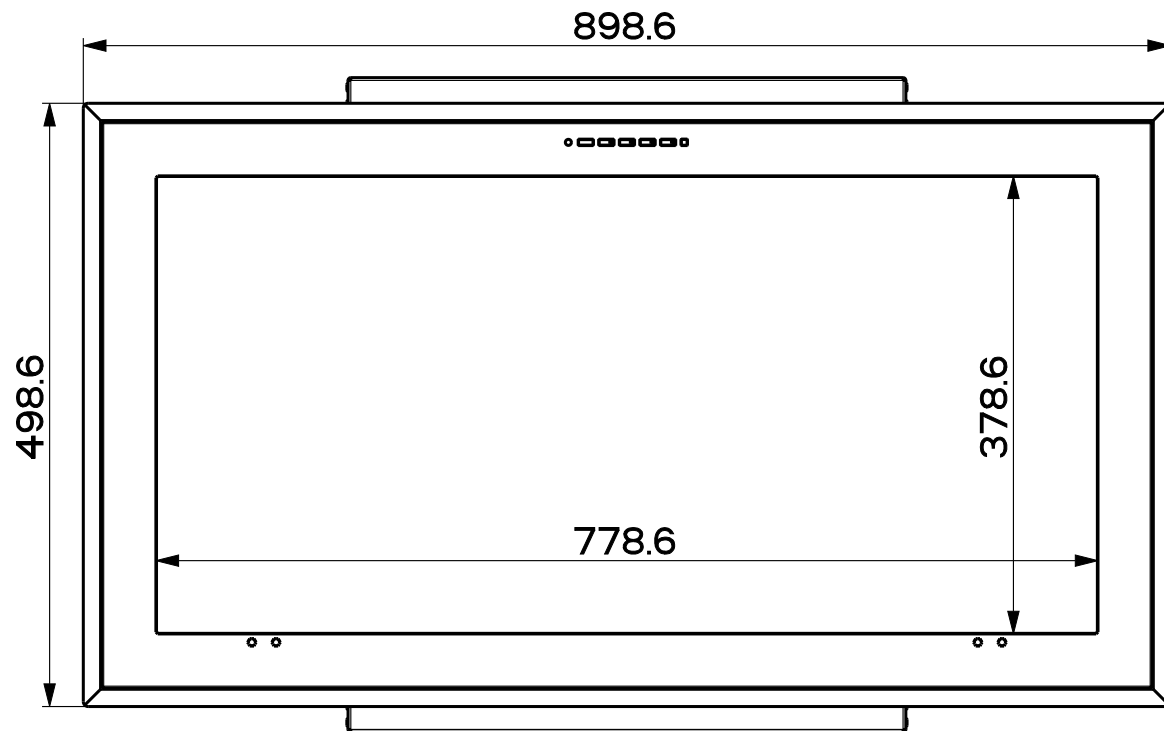


Created by <b>Bellucci, Daniele</b>	
Denomination <b>DIM. DRW. FLAT CEILING 90 GLASS EMC BRIGHT PANEL</b>	
Lang <b>EN</b> 	Sheet <b>1/2</b>
Modif.by	
Approved by <b>Bellucci, Daniele</b>	
Approval date <b>27-Jun-2022</b>	
Doc. status <b>Released</b>	
Drawing N. <b>59A_1133</b>	Rev <b>01</b>



Created by <b>Bellucci, Daniele</b>	
Denomination <b>DIM. DRW. FLAT CEING 90 GLASS EMC BRIGHT PANEL</b>	
Lang <b>EN</b> 	Sheet <b>2/2</b>
Modif.by	
Approved by <b>Bellucci, Daniele</b>	
Approval date <b>27-Jun-2022</b>	
Doc. status <b>Released</b>	
Drawing N. <b>59A_1133</b>	Rev <b>01</b>