

Created by **Latini, Francesco**

Denomination  
**DIMENSIONAL DRAWING AIR HUB**

Lang **EN**  Sheet **1/2**

Modif.by

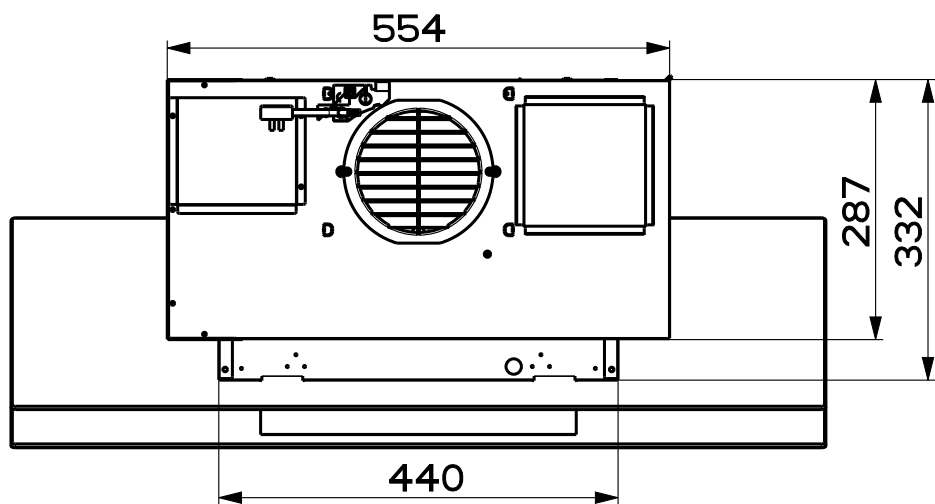
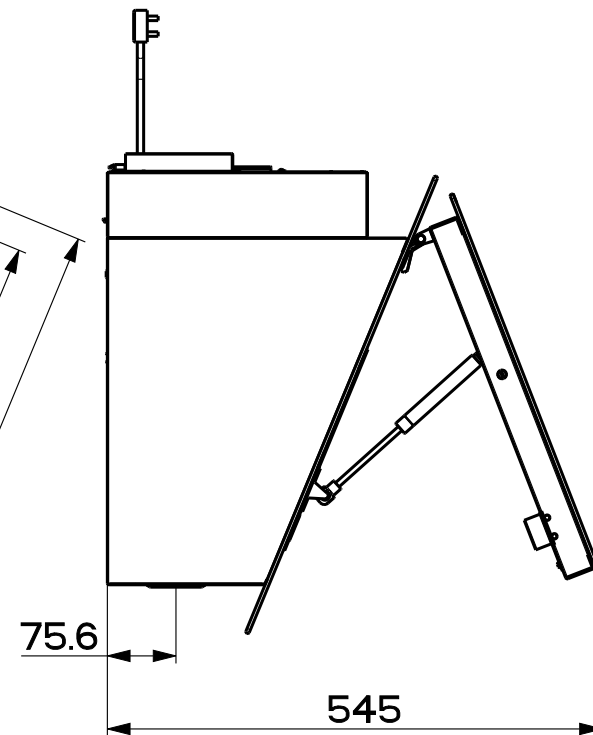
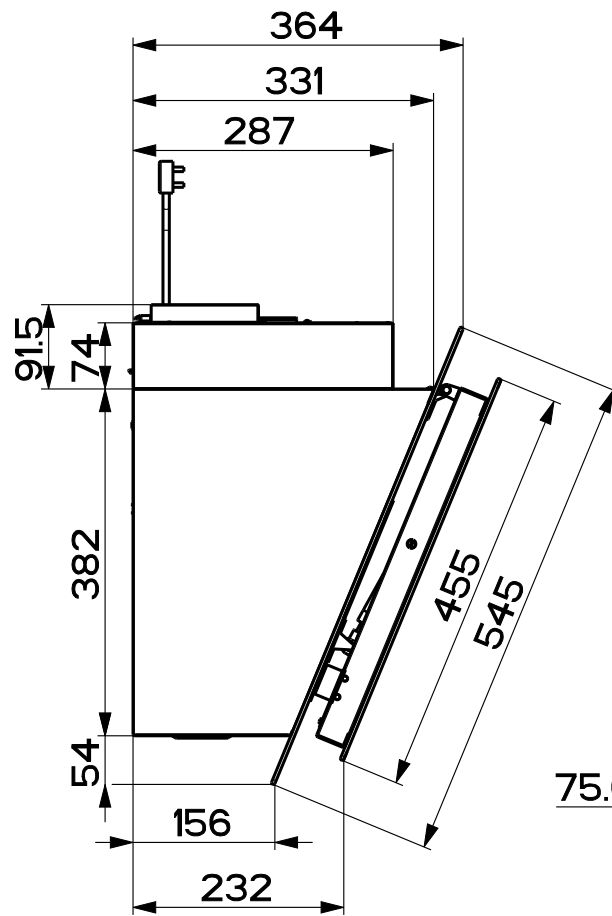
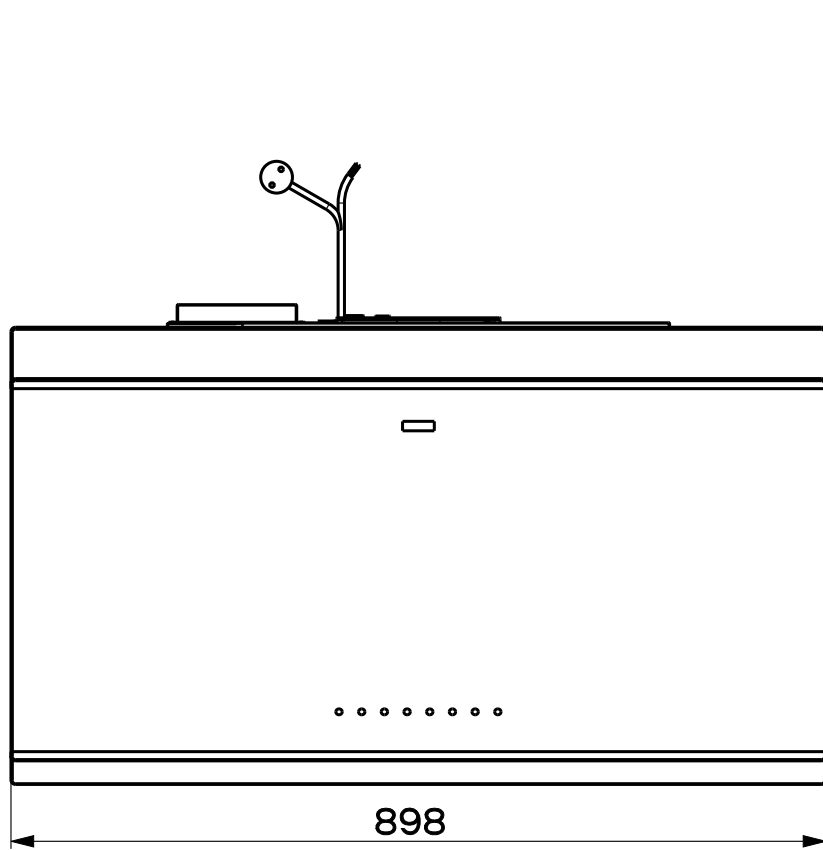
Approved by **Romani, Fabio**

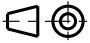
Approval date **13-Jul-2022**

Doc. status **Released**

Drawing N.  
**47A\_1387**

Rev  
**01**



Created by <b>Latini, Francesco</b>	
Denomination <b>DIMENSIONAL DRAWING AIR HUB</b>	
Lang <b>EN</b> 	Sheet <b>2/2</b>
Modif.by	
Approved by <b>Romani, Fabio</b>	
Approval date <b>13-Jul-2022</b>	
Doc. status <b>Released</b>	
Drawing N. <b>47A_1387</b>	Rev <b>01</b>