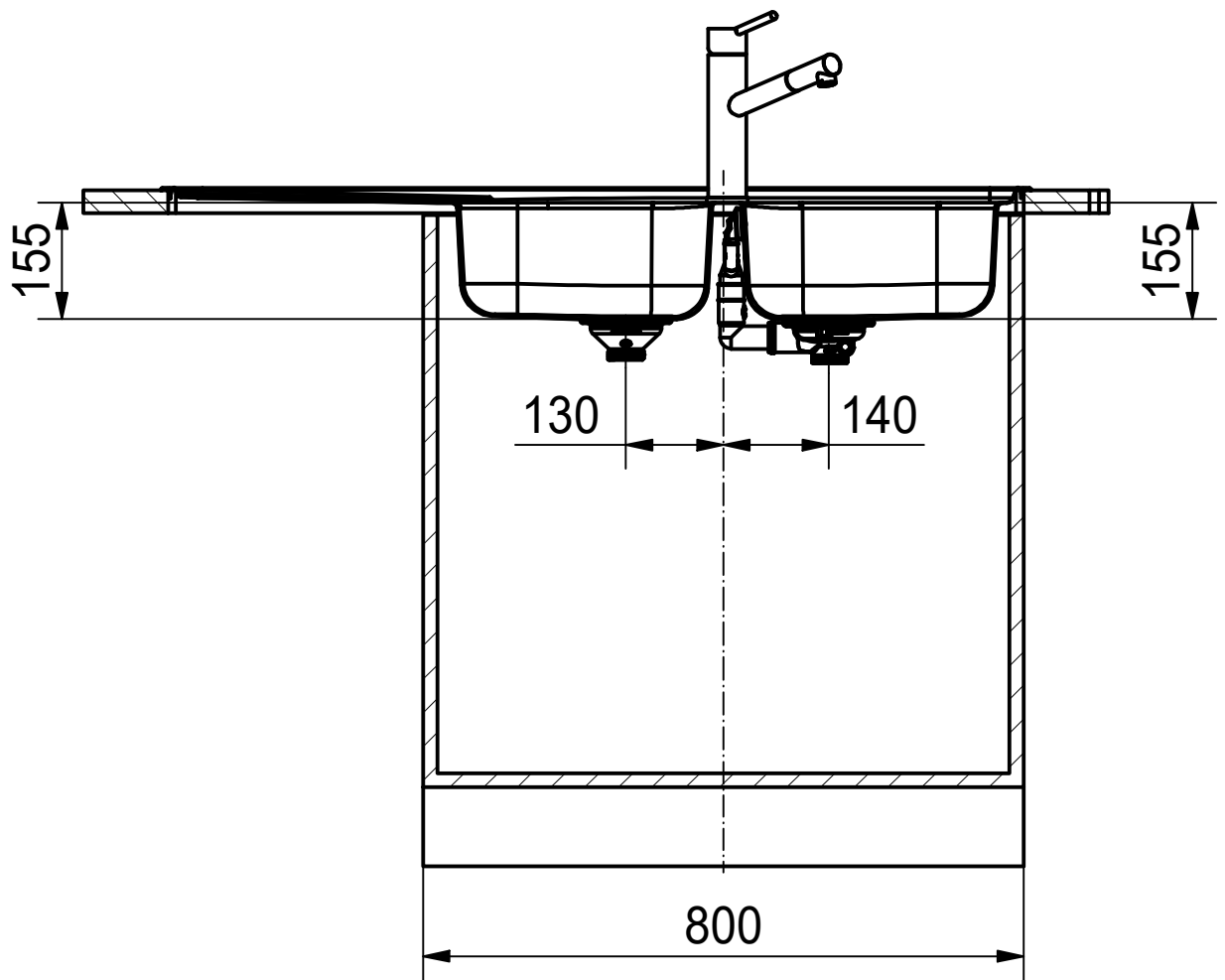


DF



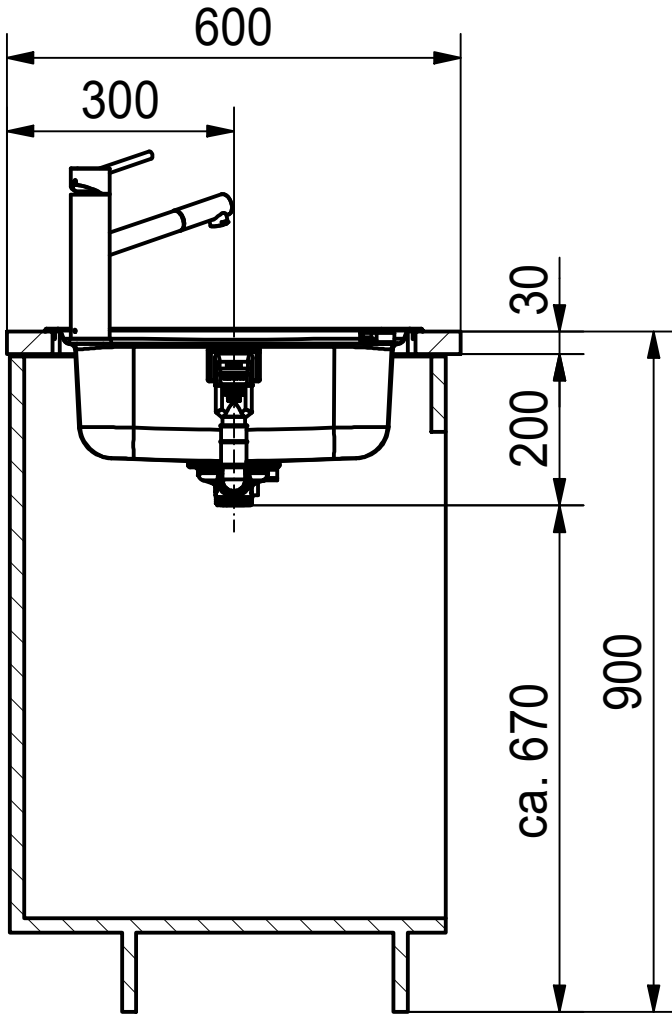
Drawing No.	20118014_04	Revision	C
Drawn Date	01.01.1970		
<small>These drawings and specifications are the property of Franke Technology and Trademark Ltd. and shall not be reproduced, copied or transferred to any third party without the prior written permission of Franke Technology and Trademark Ltd., Hergiswil, Switzerland</small>			

Franke Küchentechnik AG
CH-4663 Aarburg
Phone: +41 62 787 31 31
Internet: www.franke.com

AZ 621
Installing documents

Sheet	Sheets
1	6

DS



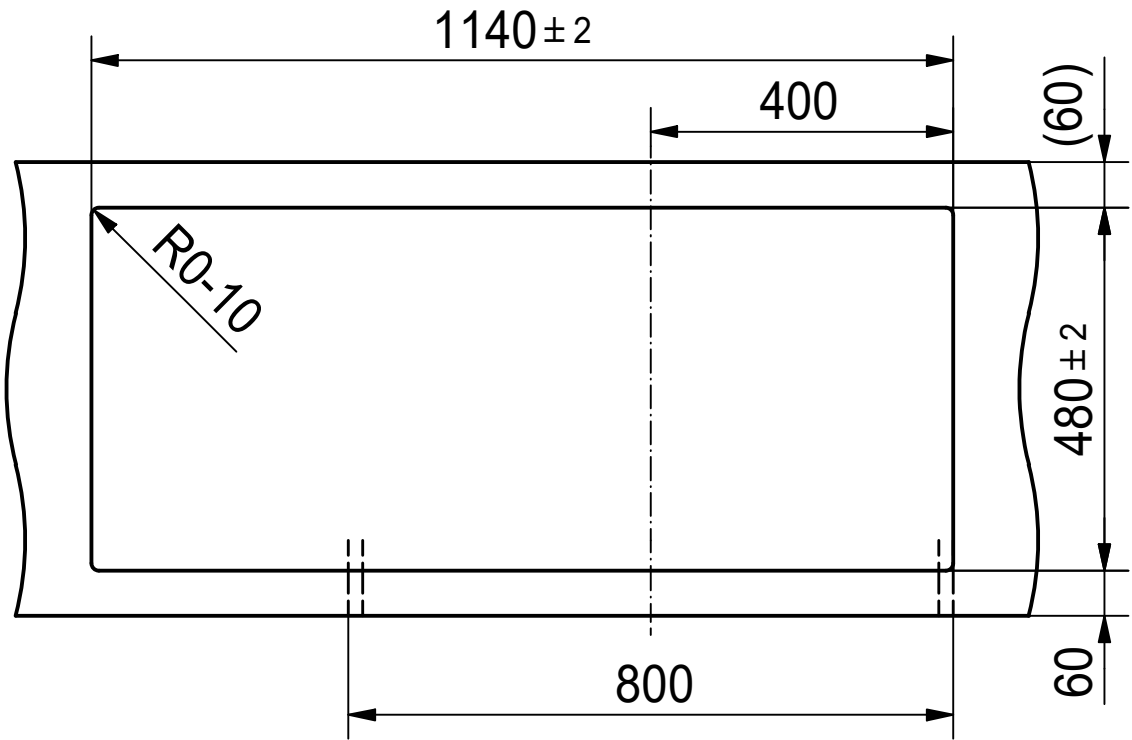
Drawing No.	20118014_04	Revision	C
Drawn Date	01.01.1970		
<small>These drawings and specifications are the property of Franke Technology and Trademark Ltd. and shall not be reproduced, copied or transferred to any third party without the prior written permission of Franke Technology and Trademark Ltd., Hergiswil, Switzerland</small>			

Franke Küchentechnik AG
CH-4663 Aarburg
Phone: +41 62 787 31 31
Internet: www.franke.com

AZ 621
Installing documents

Sheet	Sheets
2	6

CO



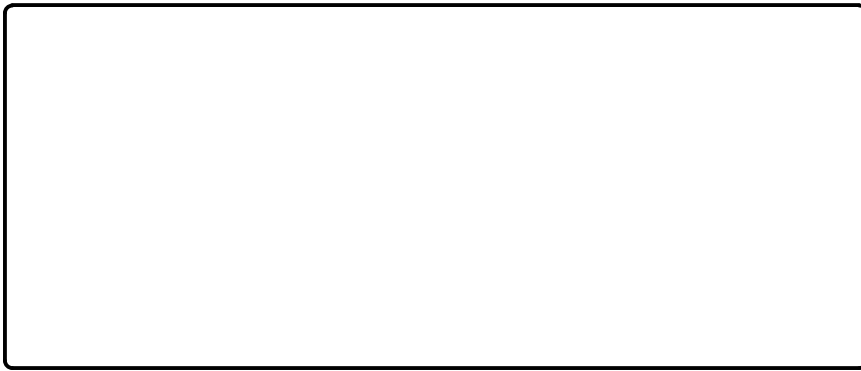
Drawing No.	20118014_04	Revision	C
Drawn Date	01.01.1970		
<small>These drawings and specifications are the property of Franke Technology and Trademark Ltd. and shall not be reproduced, copied or transferred to any third party without the prior written permission of Franke Technology and Trademark Ltd., Hergiswil, Switzerland</small>			

Franke K uchentechnik AG
CH-4663 Aarburg
Phone: +41 62 787 31 31
Internet: www.franke.com

AZ 621
Installing documents

Sheet	Sheets
3	6

CNC



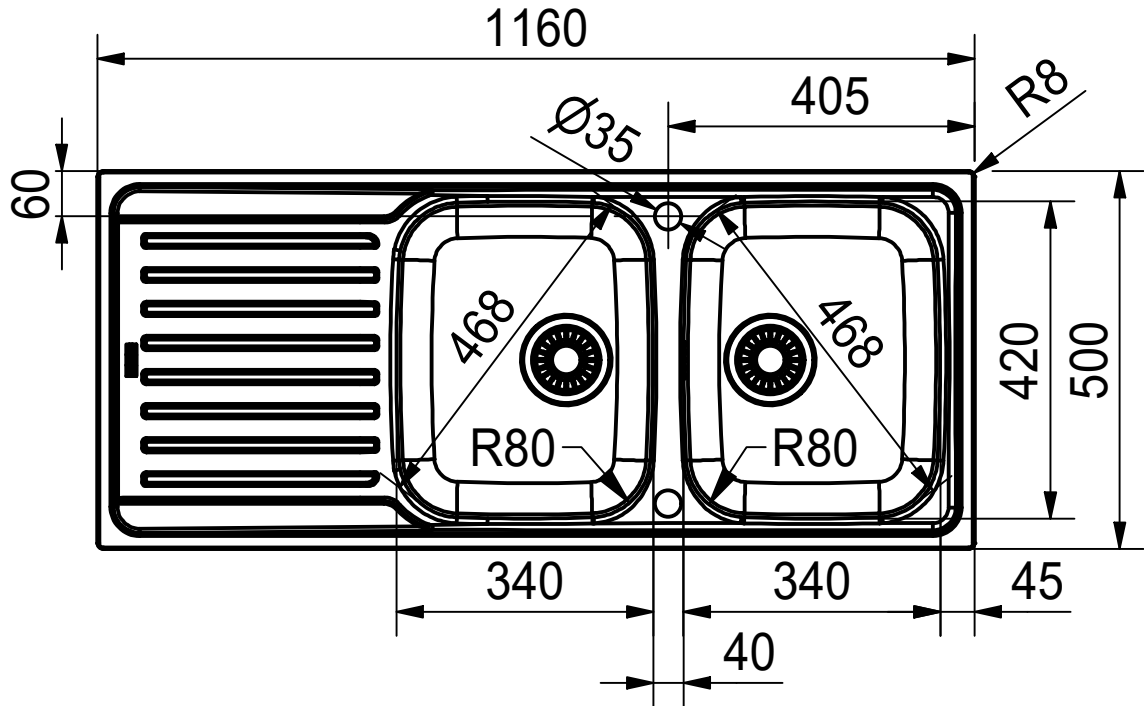
Drawing No.	20118014_04	Revision	C
Drawn Date	01.01.1970		
<small>These drawings and specifications are the property of Franke Technology and Trademark Ltd. and shall not be reproduced, copied or transferred to any third party without the prior written permission of Franke Technology and Trademark Ltd., Hergiswil, Switzerland</small>			

Franke Küchentechnik AG
CH-4663 Aarburg
Phone: +41 62 787 31 31
Internet: www.franke.com

AZ 621
Installing documents

Sheet	Sheets
4	6

DT



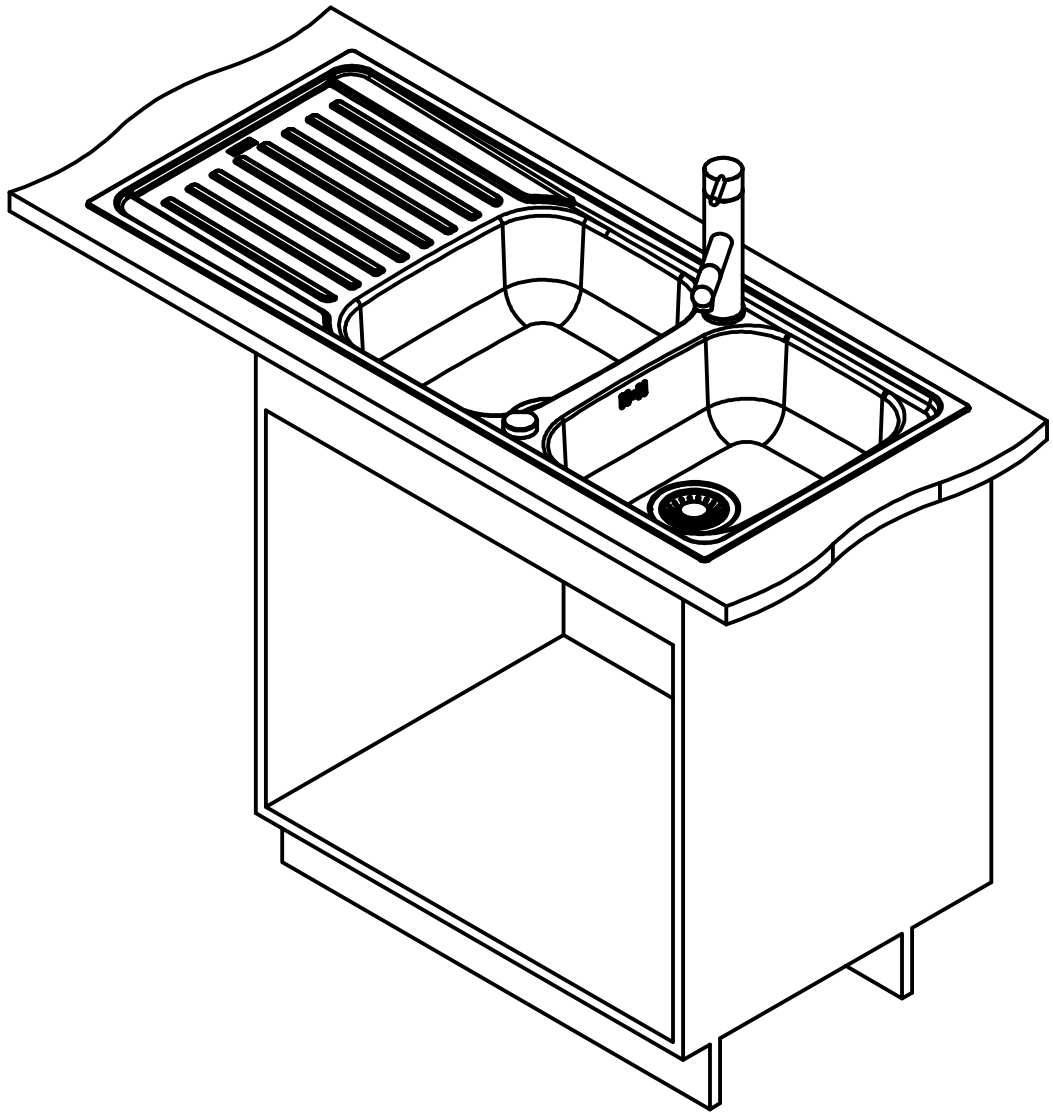
Drawing No.	20118014_04	Revision	C
Drawn Date	01.01.1970		
<small>These drawings and specifications are the property of Franke Technology and Trademark Ltd. and shall not be reproduced, copied or transferred to any third party without the prior written permission of Franke Technology and Trademark Ltd., Hergiswil, Switzerland</small>			

Franke Küchentechnik AG
CH-4663 Aarburg
Phone: +41 62 787 31 31
Internet: www.franke.com

AZ 621
Installing documents

Sheet	Sheets
5	6

ISO



Drawing No.	20118014_04	Revision	C
Drawn Date	01.01.1970		
<small>These drawings and specifications are the property of Franke Technology and Trademark Ltd. and shall not be reproduced, copied or transferred to any third party without the prior written permission of Franke Technology and Trademark Ltd., Hergiswil, Switzerland</small>			

Franke Küchentechnik AG
CH-4663 Aarburg
Phone: +41 62 787 31 31
Internet: www.franke.com

AZ 621
Installing documents

Sheet	Sheets
6	6