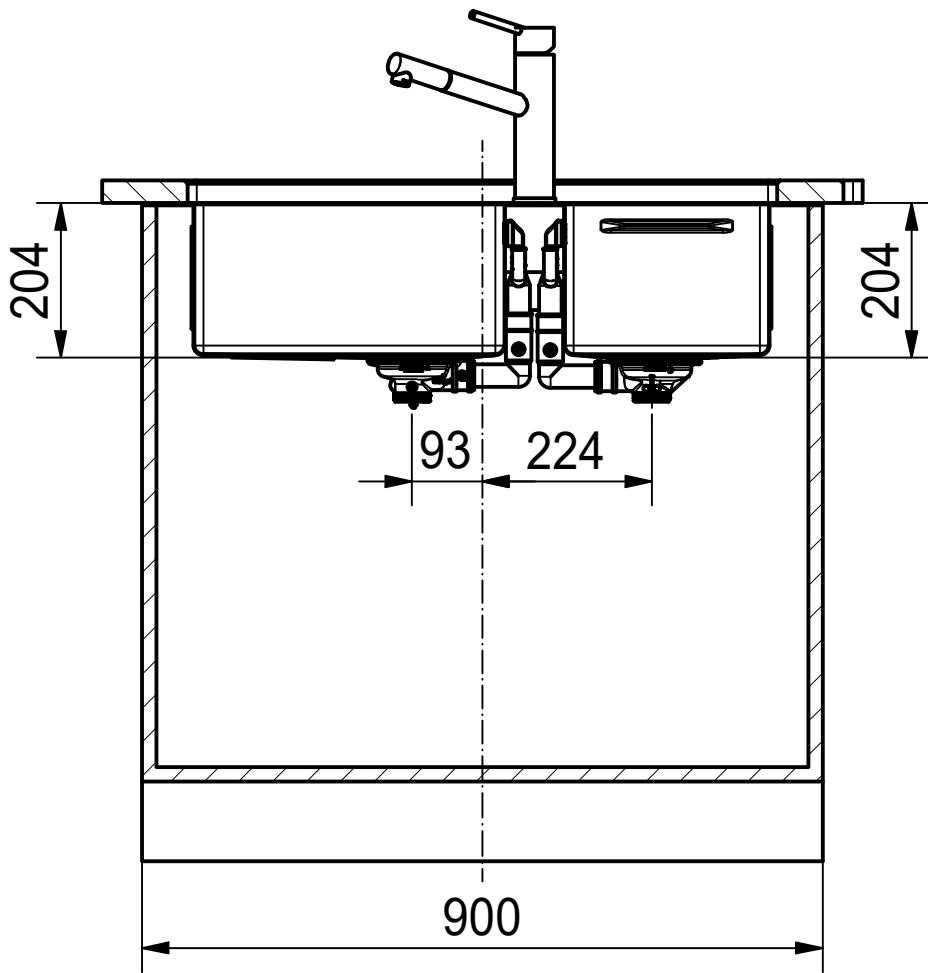


DF



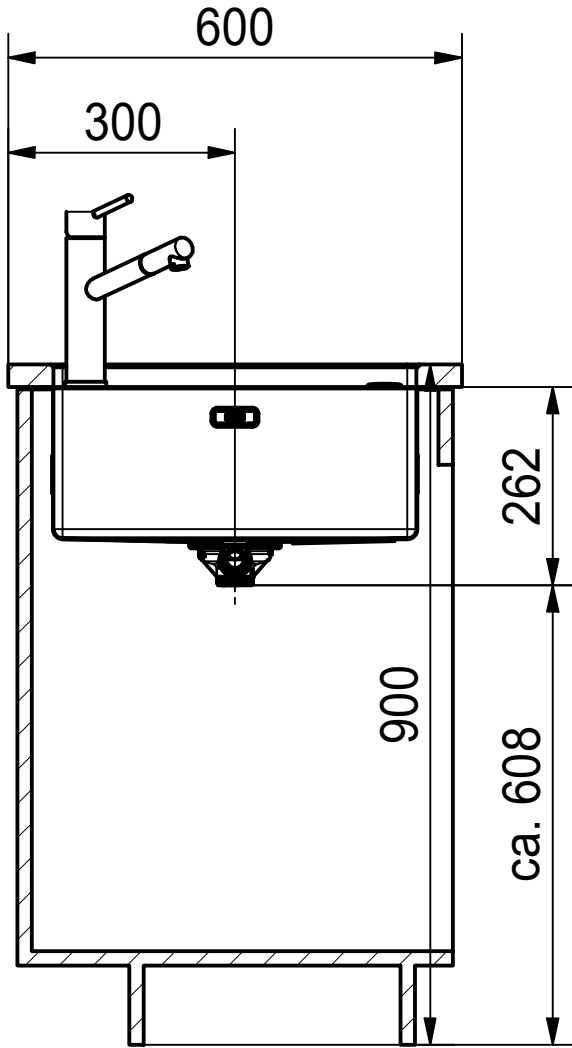
Drawing No.	20133321_02	Revision	A
Drawn Date	21.01.2019		
<small>These drawings and specifications are the property of Franke Technology and Trademark Ltd. and shall not be reproduced, copied or transferred to any third party without the prior written permission of Franke Technology and Trademark Ltd., Hergiswil, Switzerland</small>			



BWX 120-41-27 TL SI

Sheet	Sheets
1	6

DS



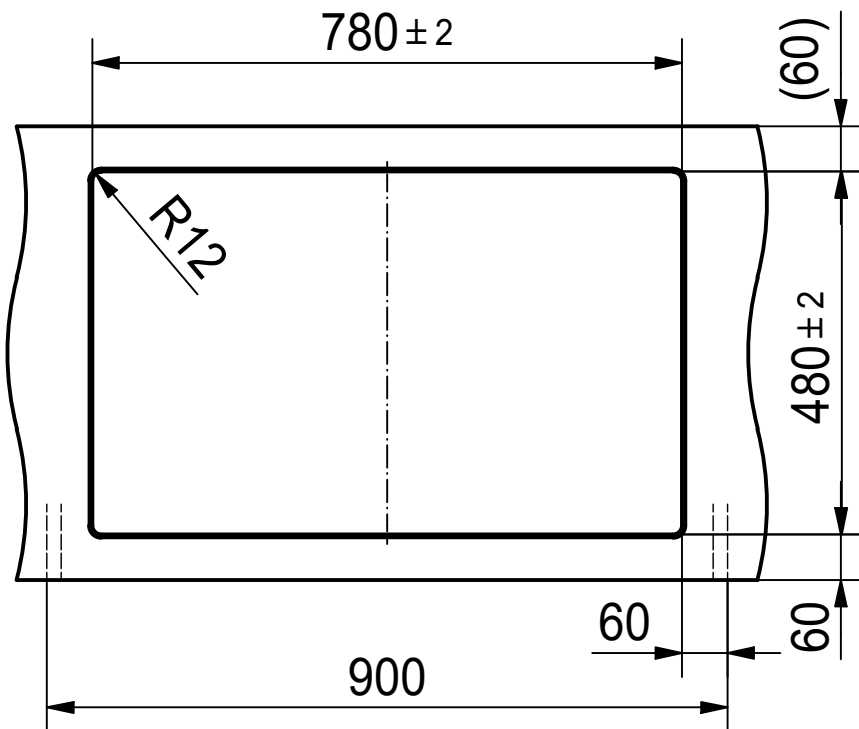
Drawing No.	20133321_02	Revision	A
Drawn Date	21.01.2019		
<small>These drawings and specifications are the property of Franke Technology and Trademark Ltd. and shall not be reproduced, copied or transferred to any third party without the prior written permission of Franke Technology and Trademark Ltd., Hergiswil, Switzerland</small>			



BWX 120-41-27 TL SI

Sheet	Sheets
2	6

CO



Drawing No.	20133321_02	Revision	A
Drawn Date	21.01.2019		
<small>These drawings and specifications are the property of Franke Technology and Trademark Ltd. and shall not be reproduced, copied or transferred to any third party without the prior written permission of Franke Technology and Trademark Ltd., Hergiswil, Switzerland</small>			



BWX 120-41-27 TL SI

Sheet	Sheets
3	6

CNC



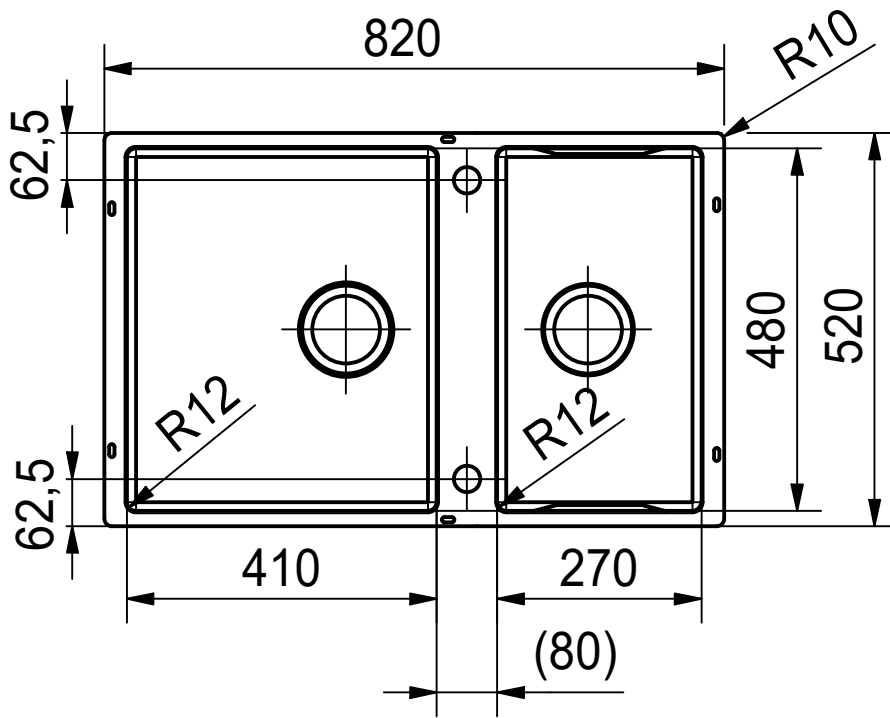
Drawing No.	20133321_02	Revision	A
Drawn Date	21.01.2019		
<small>These drawings and specifications are the property of Franke Technology and Trademark Ltd. and shall not be reproduced, copied or transferred to any third party without the prior written permission of Franke Technology and Trademark Ltd., Hergiswil, Switzerland</small>			



BWX 120-41-27 TL SI

Sheet	Sheets
4	6

DT



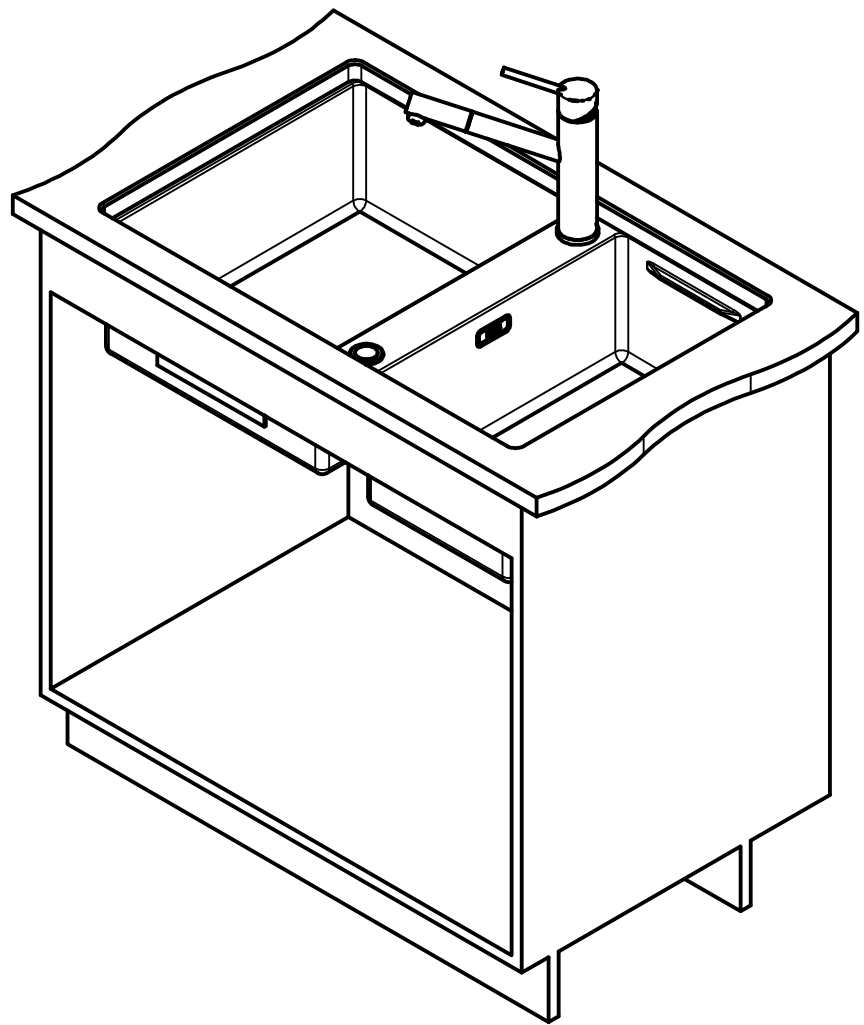
Drawing No.	20133321_02	Revision	A
Drawn Date	21.01.2019		
<small>These drawings and specifications are the property of Franke Technology and Trademark Ltd. and shall not be reproduced, copied or transferred to any third party without the prior written permission of Franke Technology and Trademark Ltd., Hergiswil, Switzerland</small>			



BWX 120-41-27 TL SI

Sheet	Sheets
5	6

ISO



Drawing No.	20133321_02	Revision	A
Drawn Date	21.01.2019		
<small>These drawings and specifications are the property of Franke Technology and Trademark Ltd. and shall not be reproduced, copied or transferred to any third party without the prior written permission of Franke Technology and Trademark Ltd., Hergiswil, Switzerland</small>			



BWX 120-41-27 TL SI

Sheet	Sheets
6	6