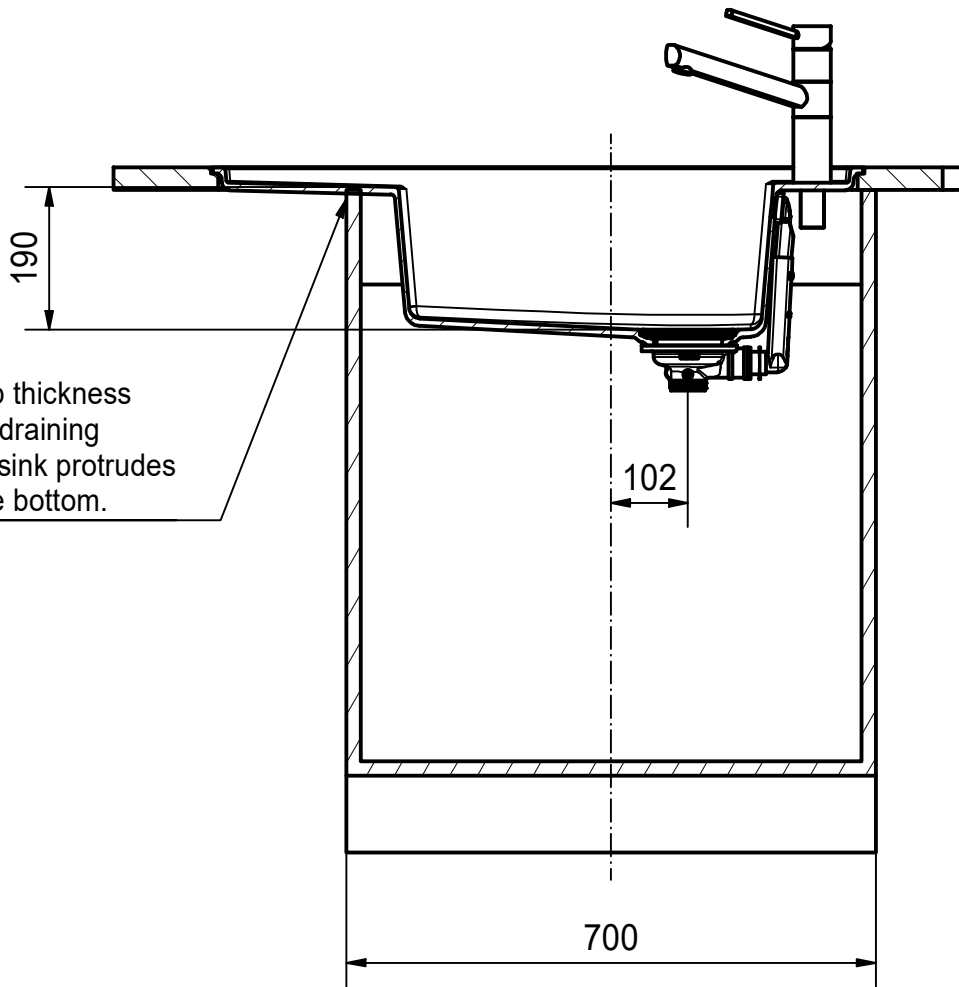


DF



With a worktop thickness of 30 mm, the draining surface of the sink protrudes by 5 mm at the bottom.

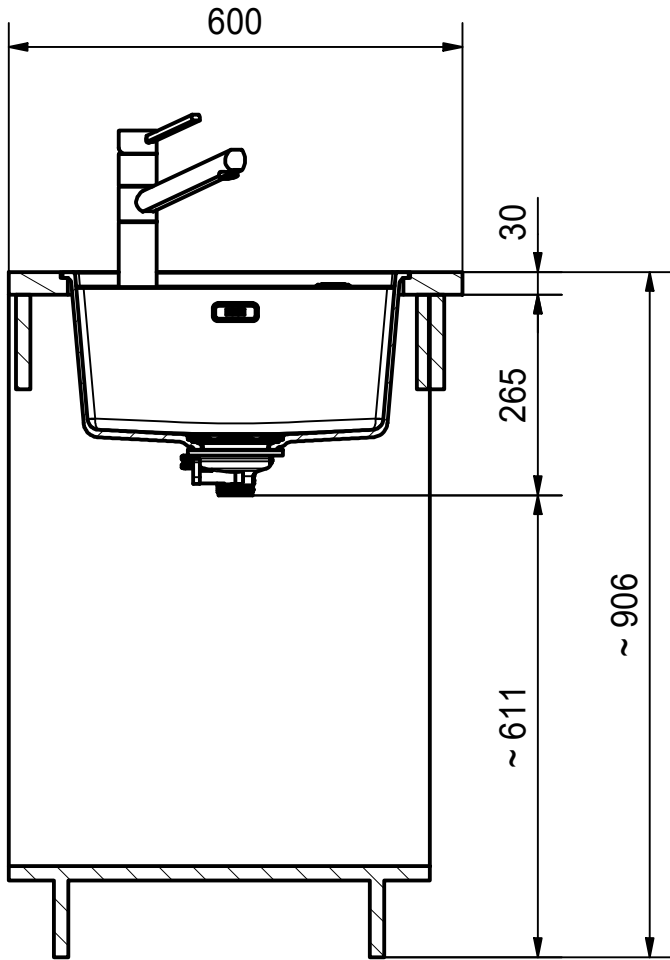
Drawing No.	20127740_07	Revision	F
Drawn Date	03.04.2017		
<small>These drawings and specifications are the property of Franke Technology and Trademark Ltd. and shall not be reproduced, copied or transferred to any third party without the prior written permission of Franke Technology and Trademark Ltd., Hergiswil, Switzerland</small>			

Franke Küchentechnik AG  
CH-4663 Aarburg  
Phone: +41 62 787 31 31  
Internet: www.franke.com

**FSG 211-86**

Sheet	Sheets
1	6

DS



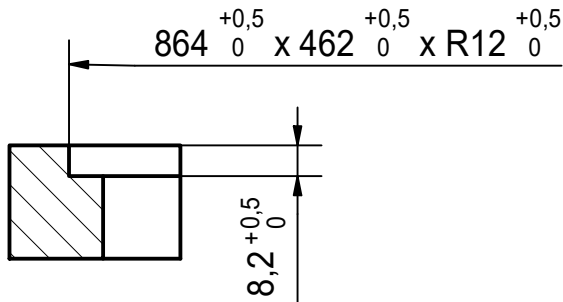
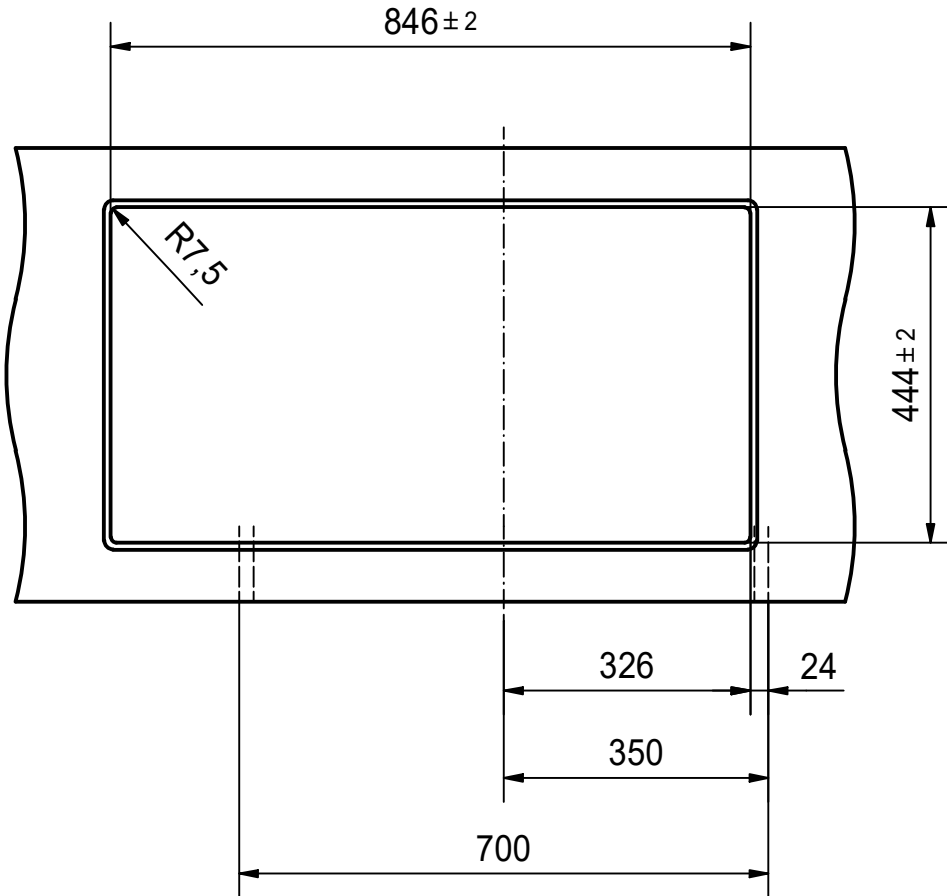
Drawing No.	20127740_07	Revision	F
Drawn Date	03.04.2017		
<small>These drawings and specifications are the property of Franke Technology and Trademark Ltd. and shall not be reproduced, copied or transferred to any third party without the prior written permission of Franke Technology and Trademark Ltd., Hergiswil, Switzerland</small>			

Franke Küchentechnik AG  
CH-4663 Aarburg  
Phone: +41 62 787 31 31  
Internet: www.franke.com

FSG 211-86

Sheet	Sheets
2	6

CO



for flush fit only

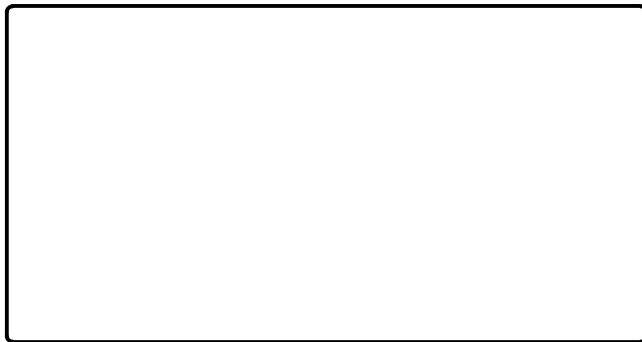
Drawing No.	20127740_07	Revision	F
Drawn Date	03.04.2017		
These drawings and specifications are the property of Franke Technology and Trademark Ltd. and shall not be reproduced, copied or transferred to any third party without the prior written permission of Franke Technology and Trademark Ltd., Hergiswil, Switzerland			

Franke Küchentechnik AG  
CH-4663 Aarburg  
Phone: +41 62 787 31 31  
Internet: www.franke.com

FSG 211-86

Sheet	Sheets
3	6

**CNC**



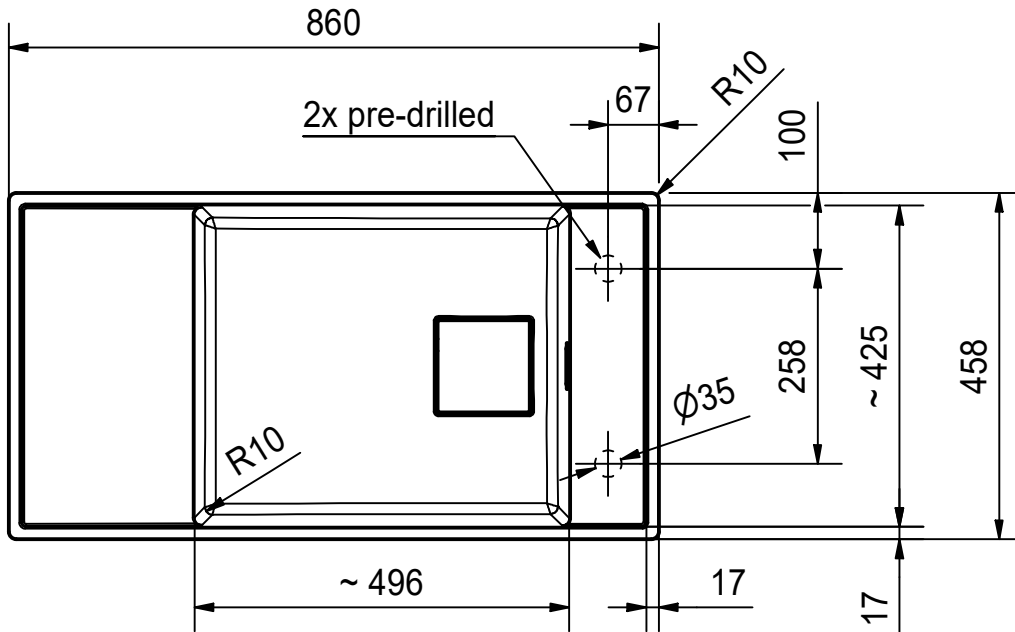
Drawing No.	20127740_07	Revision	F
Drawn Date	03.04.2017		
<small>These drawings and specifications are the property of Franke Technology and Trademark Ltd. and shall not be reproduced, copied or transferred to any third party without the prior written permission of Franke Technology and Trademark Ltd., Hergiswil, Switzerland</small>			

Franke Küchentechnik AG  
CH-4663 Aarburg  
Phone: +41 62 787 31 31  
Internet: www.franke.com

**FSG 211-86**

Sheet	Sheets
4	6

DT



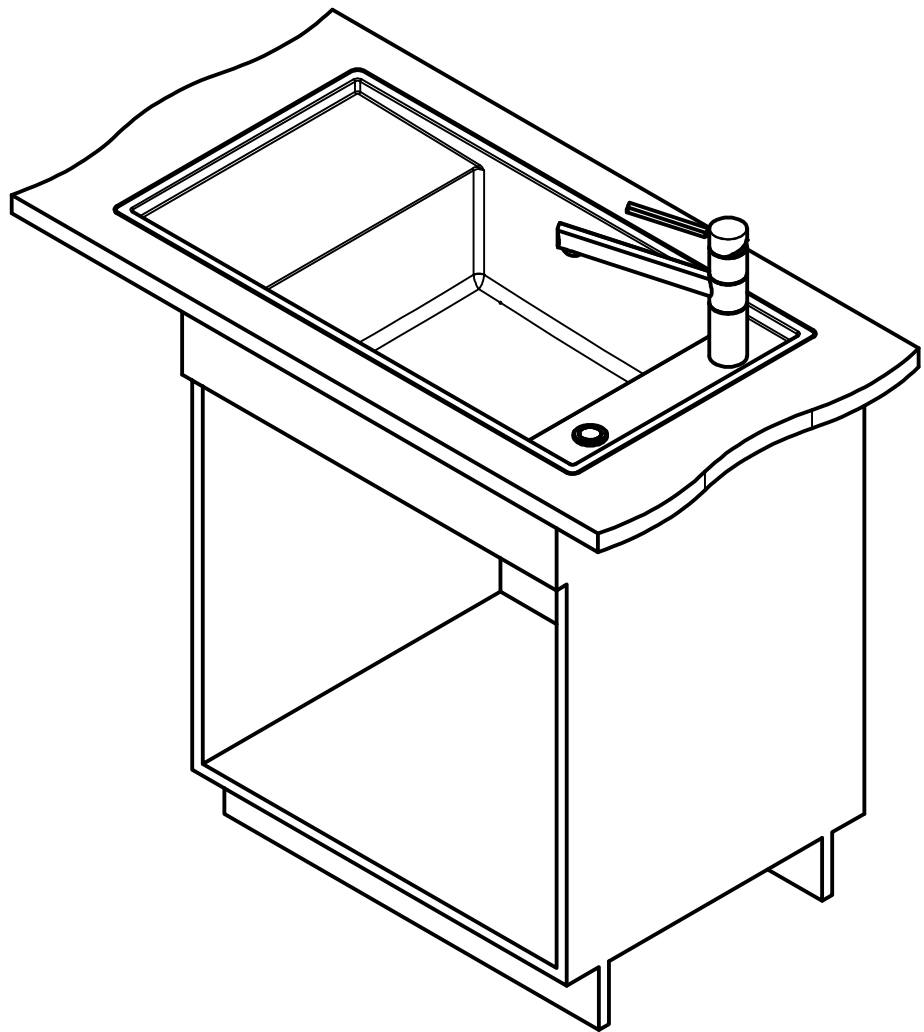
Drawing No.	20127740_07	Revision	F
Drawn Date	03.04.2017		
<small>These drawings and specifications are the property of Franke Technology and Trademark Ltd. and shall not be reproduced, copied or transferred to any third party without the prior written permission of Franke Technology and Trademark Ltd., Hergiswil, Switzerland</small>			

Franke K chentechnik AG  
CH-4663 Aarburg  
Phone: +41 62 787 31 31  
Internet: www.franke.com

FSG 211-86

Sheet	Sheets
5	6

ISO



Drawing No.	20127740_07	Revision	F
Drawn Date	03.04.2017		
<small>These drawings and specifications are the property of Franke Technology and Trademark Ltd. and shall not be reproduced, copied or transferred to any third party without the prior written permission of Franke Technology and Trademark Ltd., Hergiswil, Switzerland</small>			

Franke Küchentechnik AG  
CH-4663 Aarburg  
Phone: +41 62 787 31 31  
Internet: www.franke.com

**FSG 211-86**

Sheet	Sheets
6	6