
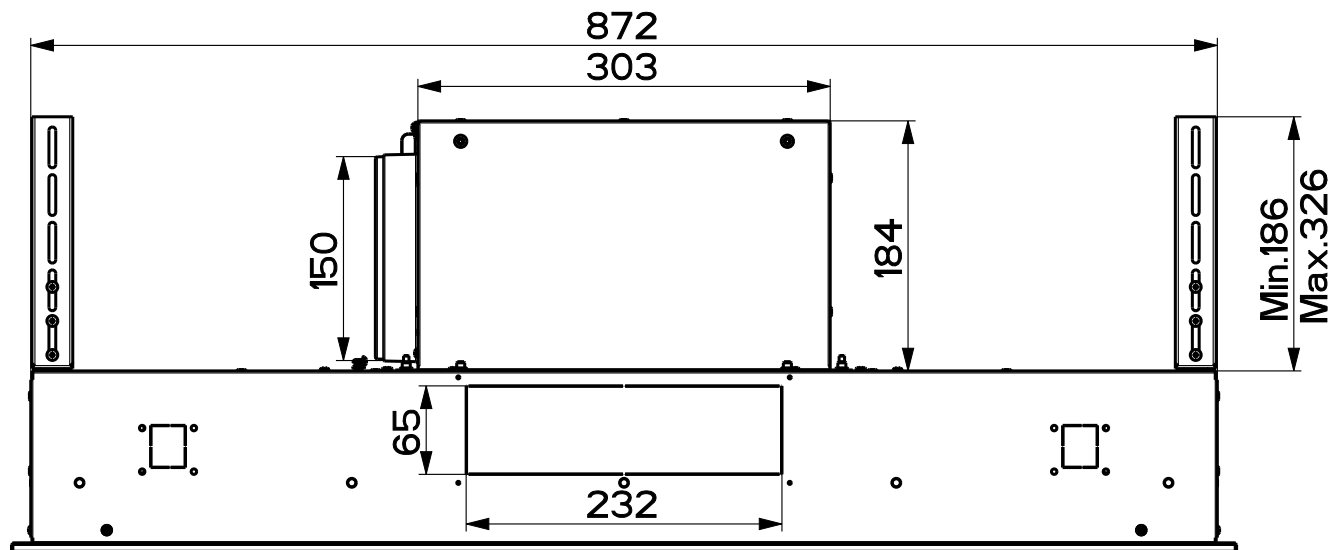
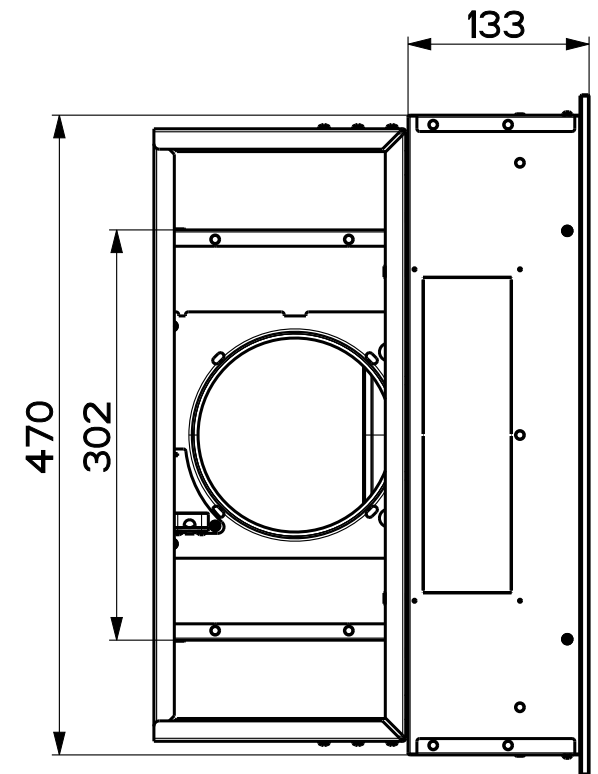
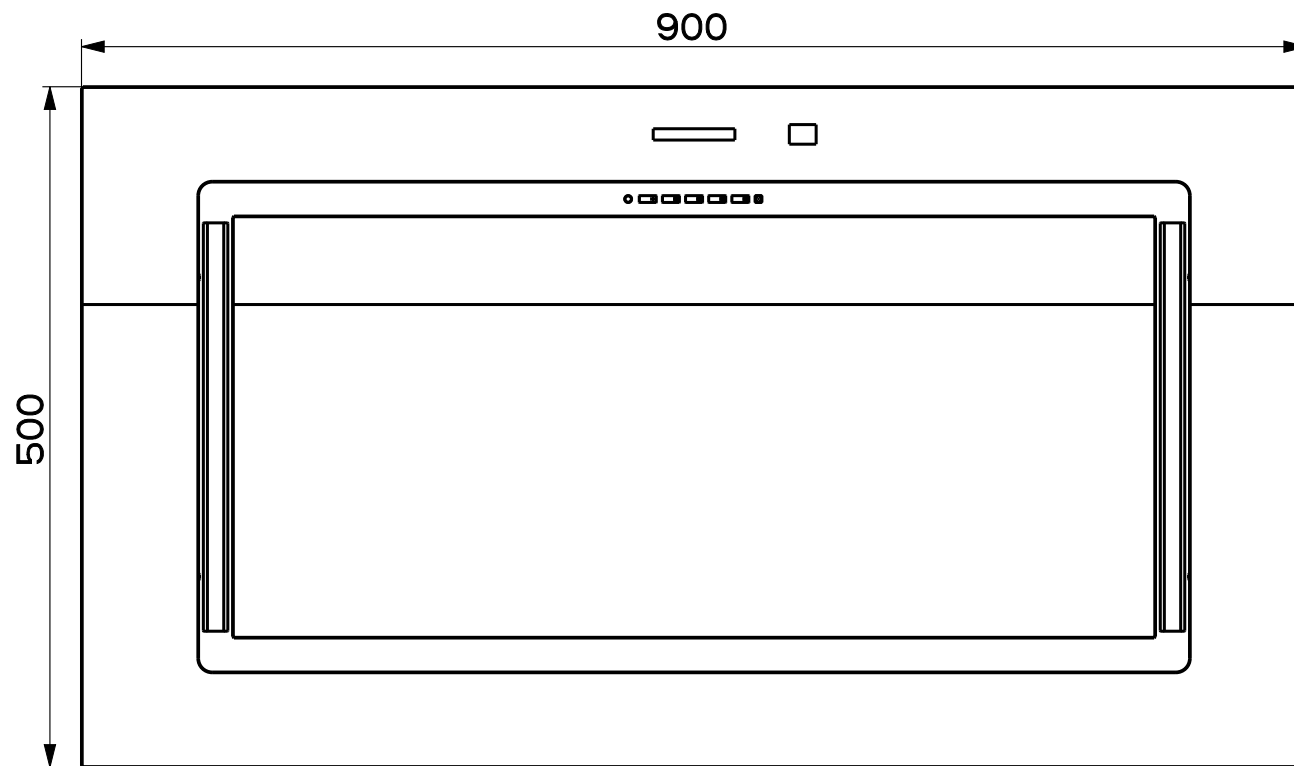


Created by Bellucci, Daniele	
Denomination DIMENSIONAL DRAWING FABER GLASS C-AIR	
Lang EN 	Sheet 1/2
Modif. by Bellucci, Daniele	
Approved by Bellucci, Daniele	
Approval date 30-Jul-2020	
Doc. status Released	
Drawing N. 59A_839	Rev 01



Created by Bellucci, Daniele	
Denomination	
DIMENSIONAL DRAWING FABER GLASS C-AIR	
Lang EN	Sheet 2/2
Modif.by Bellucci, Daniele	
Approved by Bellucci, Daniele	
Approval date 30-Jul-2020	
Doc. status Released	
Drawing N. 59A_839	Rev 01